



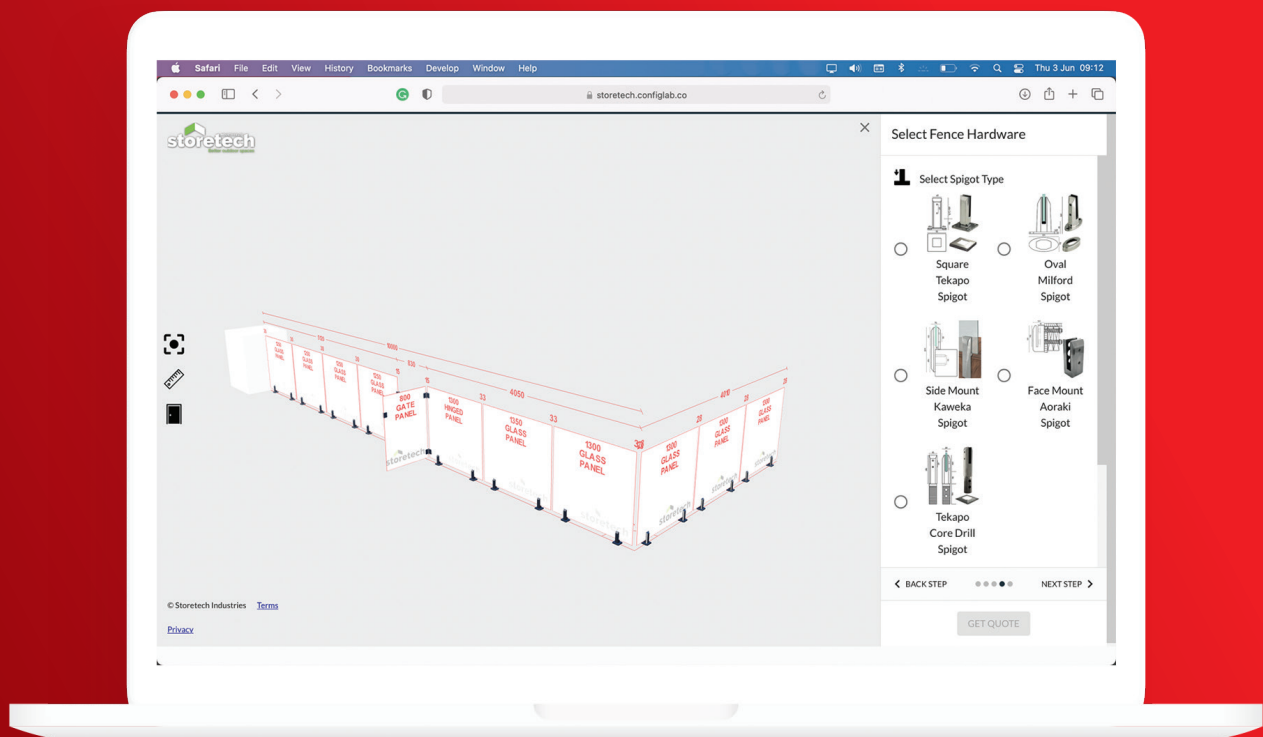
FRAMELESS GLASS FENCING & BALUSTRADE



BelAire[®]
DESIGNER FENCING

...make it your own!

Have you tried out our new 3D Glass Builder?



Now you can build your very own glass fencing right in front of your eyes, to the exact specification you need.



What are you waiting for?
Scan or click the QR Code
to start building today.



BelAire[®]
DESIGNER FENCING

...make it your own!

AS/NZS2208
Grade A TF
ID 7777

FRAMELESS GLASS FENCING & BALUSTRADE

CLEAR

BelAire frameless glass pool fencing and balustrade is invisibly superior – it's crystal clear without the green tint you get with inferior brands. Enjoy lounging by the pool on the deck with nothing to interrupt your view. Relax behind a strong, effective wind barrier and take in all-day sunshine as BelAire glass casts no shadows!

SAFE

With uninterrupted views, you'll always be able to keep your eye on the kids as they play in the pool. And with 12mm thick toughened safety glass with polished bevel edges, you'll know they'll also be safe and sound outside the fence. Our gates also use a self-closing hinge with a side pull latch, so you'll know they'll never be left open by mistake.

VERSATILE

BelAire can be installed on a variety of surfaces, including tiled areas, pavers, timber decks, concrete and across landscaped areas – making it a truly versatile option for pools, water features, patios, decking, and natural settings. The modern architectural look can also be customised from our selection of elegant, corrosion-resistant, mini posts, latches and hinges to match your property.

EASY

It's so simple to clean and maintain – with no frames to collect water and dust, and with corrosion-resistant hardware throughout, it will remain sparkling with minimum effort.

It's also simple to install – most home owners would find the system quick and easy to install using basic tools that they would have in their shed. If you'd rather get someone else to install it, we have a list of preferred installers throughout NZ. Call us on 0800 235 2473 and we will put you in touch with an installer in your area.

COMPLIANT

Our toughened safety glass that comes with the PAS Mark AS/NZS2208 marking on every panel and is all F4 and F9 Building Code compliant. Should you require a PS1 (or an Extra High Wind Zone PS1) to submit with your pool or building permit request, please email us at info@belairefencing.co.nz

You will require a handrail on your balustrade or pool fencing if there is a drop of more than 1m on one side. BelAire slimline handrails are manufactured from polished stainless steel to create a sophisticated finish that does not diminish the appearance of your glass fencing. They are also very strong and fully compliant to NZS4223:2016.

Enfield Drive

With such an amazing view there was no question why we installed the BelAire Glass Fencing system. The job only took two days and resulted in high strength glass fencing with core drill spigots and a clear, uninterrupted view of Hawke's Bay.

Project Specifications:

12mm Toughened Enduroshield Glass Fencing

1200mm High to be pool compliant, with some custom panels beside stepped areas

Polished Core Drill Stainless 2205 Spigots and Soft closing hinges

38 meters installed into concrete by core drilling

Specified by

South Pacific Landscaping



David Reid Homes

How could you install anything other than the BelAire Glass Fencing with this amazing views when the sun sets in the west. As this site was in an Extra High wind zone you'll notice we used 3 Spigots per panel and is A Grade toughened panels to perform against them elements.

Project Specifications:

12mm Toughened Enduroshield Glass Fencing

1200mm High to be pool compliant to NZ compliance F9

Polished Top Mounted Tekapo Stainless 2205 Spigots and Soft closing hinges

52 meters installed into composite decking

Specified by

David Reid Homes



Easy-clean glass coating

Upgrade our toughened safety glass with EnduroShield, an invisible, non-stick coating that reduces cleaning time by up to 90%. Your glass stays cleaner for longer, and it's a breeze to rinse down.

Choose to upgrade to EnduroShield-coated glass when you order on-line, or just talk with one of our friendly sales representatives.

EnduroShield

Blenheim Balustrade Install

A Blenheim client approached BelAire Designer Fencing for a balustrading solution to boarder his outdoor deck and pool area, not wanting to obstruct his amazing view. Our Frameless Glass Balustrade system provided functionality and safety that complimented the aesthetics of our client's house.

Project Specifications:

12mm Toughened Enduroshield Glass Fencing
Combination of 1200mm high and 1000mm high

Tekapo Base Mounted Spigot
105 meters installed into timber decking

"I was really impressed with how easy BelAire made the whole process. The computerised layout and plan of what was required made it so easy. Great to get a reliable quote and then easy delivery and after care service."

Anonymous Client



Coromandel Glass Install

BelAire came up with the perfect solution for our client where they could be comfortable and compliant with the NZ compliance and still keep their wonderful view.

Project Specifications:

12mm Toughened Enduroshield Glass Fencing

1200mm high to be pool compliant to NZ compliance F9

Polished Top Mounted Tekapo Stainless

2205 Spigots and Soft closing hinges

51 meters installed into timber decking

Specified by

Customer chosen direct with BelAire Fencing



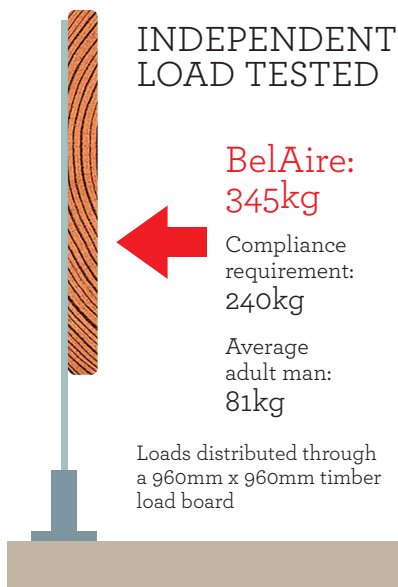
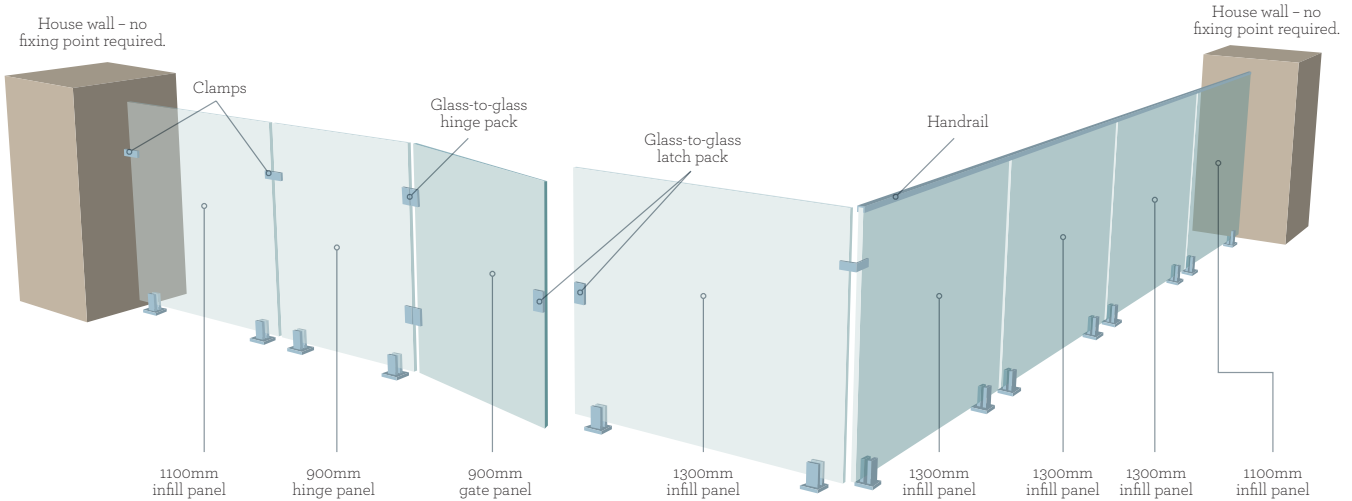
**Easy-clean
glass coating**

Upgrade our toughened safety glass with EnduroShield, an invisible, non-stick coating that reduces cleaning time by up to 90%. Your glass stays cleaner for longer, and it's a breeze to rinse down.

Choose to upgrade to EnduroShield-coated glass when you order on-line, or just talk with one of our friendly sales representatives.

**Enduro
Shield**

EXAMPLE CONFIGURATION



INDEPENDENTLY LOAD TESTED

BelAire:
345kg

Compliance requirement:
240kg

Average adult man:
81kg

Loads distributed through a 960mm x 960mm timber load board

GENERAL FEATURES

- 12mm toughened safety glass
- New Zealand standards compliant
- 10 year warranty
- DIY instructions included

Compliant with:

F4 and F9 Building Code compliant.

AS/NZS2208: 1996

New Zealand standards for safety glass manufacturing

NZS 8500

Safety barriers and fences around swimming pools, spas and hot tubs

NZS 4223.3:2016

Approved Balustrade Handrail

SOFT, NOT SLAMMED

Even though BelAire doors are made from toughened safety glass, a slammed glass gate will always put you on edge.



Relax. Upgrade to glass-to-glass or glass-to wall **polaris soft-closing hinges**, and you'll never hear the bang of a slammed gate again!

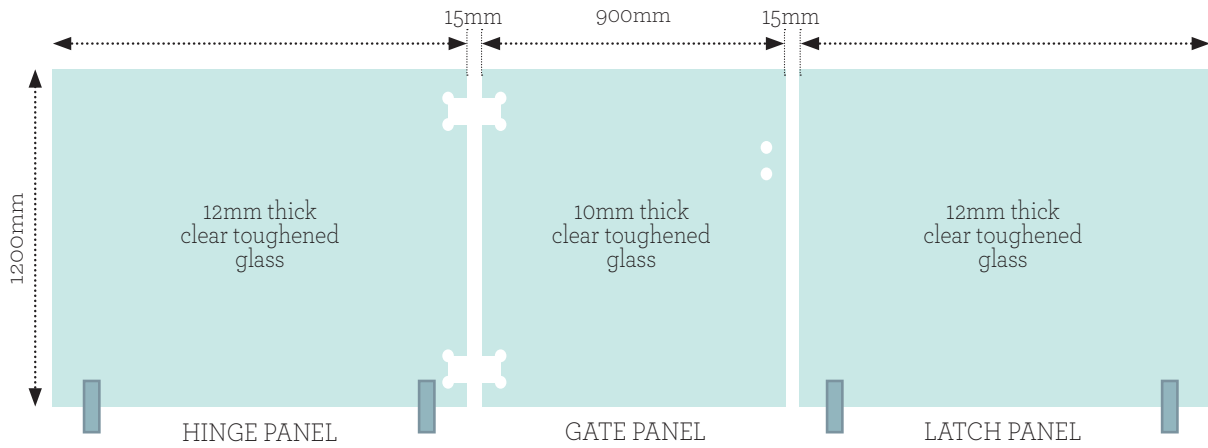
Choose to upgrade to polaris soft-closing hinges when you order on-line, or just talk with one of our friendly sales representatives.



FRAMELESS GATE LAYOUTS

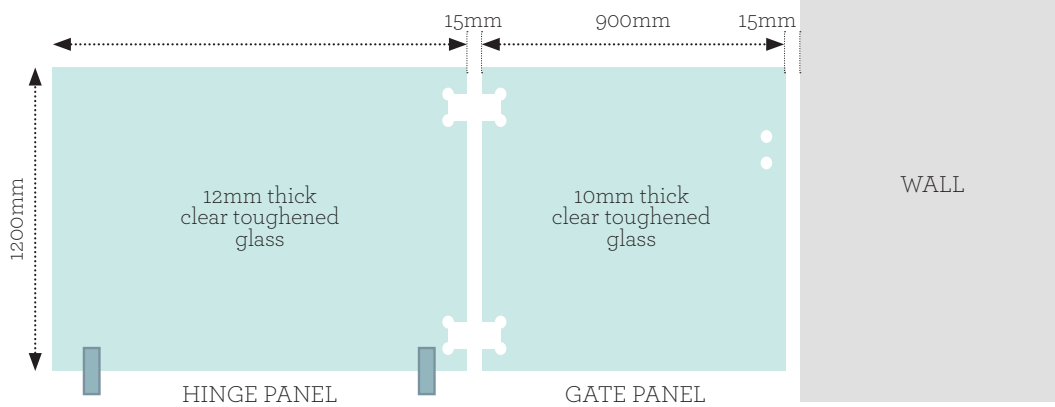
GLASS-TO-GLASS HINGES & GLASS-TO-GLASS LATCH

- Hinge panel available widths: 500/900/1300/1450/1600mm
- Use a friction latch. Any size panel can be used as a latch panel



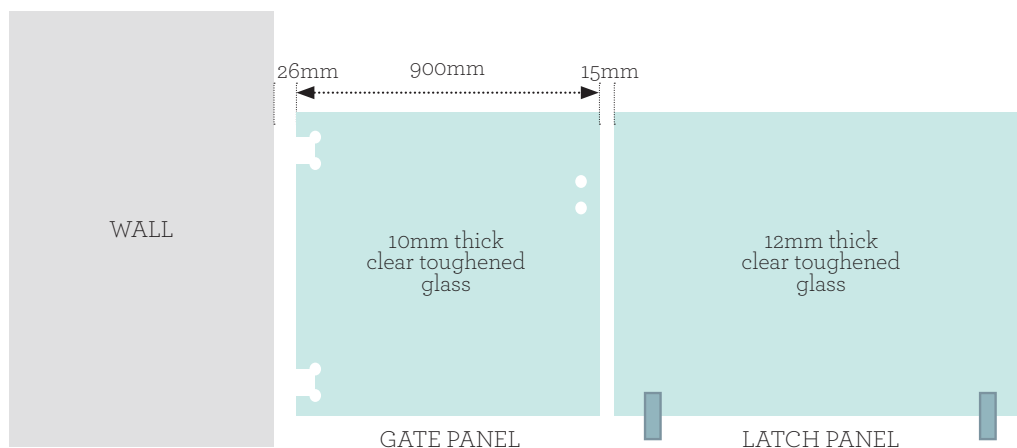
GLASS-TO-GLASS HINGES & WALL/POST GATE LATCH

- Hinge panel available widths: 500/900/1300/1450/1600mm



WALL/SQUARE POST GLASS HINGES & GLASS-TO-GLASS LATCH

- Use a friction latch. Any size panel can be used as a latch panel





The World's Leading Glass Treatment

ULTIMATE PROTECTION

Optically clear, UV stable, chemical resistant, water and oil repellent.

HIGHLY DURABLE

Permanently bonds to the glass and comes with a true 10 year performance warranty*

LOW SERVICING COSTS

EnduroShield keeps glass visibly clearer for longer and reduces the frequency between cleans.

SUITS ALL GLASS RANGES

From balustrading to pool fencing, high rise and domestic glazing, shower screens and insulated glass units, EnduroShield is the smart choice for glass.

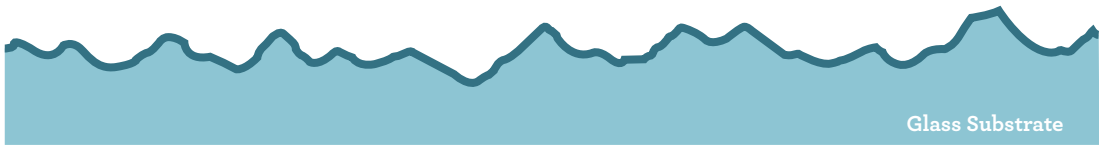
Silicone based coating

Competitor products fill in hills & valleys of the glass.



EnduroShield Coating

EnduroShield follows hills & valleys of the glass.



Silicone based seals sit on top of the glass surface and can quickly wear off, leaving the surface unprotected. EnduroShield follows the hills and valleys of the glass, forming a strong, permanent* bond that does not flake or peel.

TESTING AND CERTIFICATION

*EnduroShield's performance has been independently tested by one of the leading global testing and certification houses, TÜV Rheinland in Germany for durability, easy-clean functionality, safety and quality. Testing was carried out to simulate a lifetime of 10 years on glass for both interior and exterior use, and EnduroShield passed all tests.



- Easy to clean
- Durability tested

*Contact us for warranty info and terms and conditions.

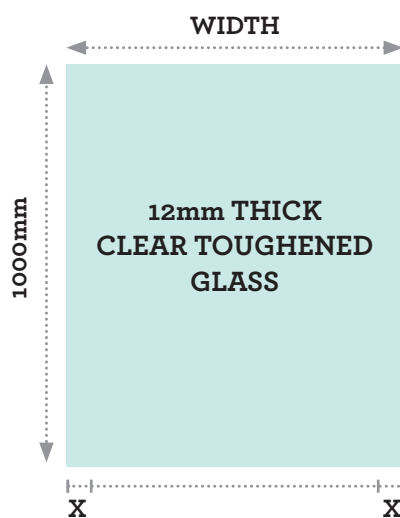
FRAMELESS GLASS FENCING PANELS



Order Code	Width	Height	Distance from Edge to Spigot (X)	Thickness	Sqm	Glass Weight KGS	Corner Radius
SCE0312PP	300mm	1200mm	75mm	12mm	0.36	11kg	2mm
SCE0412PP	400mm	1200mm	75mm	12mm	0.48	14kg	2mm
SCE0512PP	500mm	1200mm	100mm	12mm	0.60	18kg	2mm
SCE0612PP	600mm	1200mm	100mm	12mm	0.72	22kg	2mm
SCE0712PP	700mm	1200mm	100mm	12mm	0.84	25kg	2mm
SCE0812PP	800mm	1200mm	150mm	12mm	0.96	29kg	2mm
SCE08512PP	850mm	1200mm	150mm	12mm	0.96	29kg	2mm
SCE0912PP	900mm	1200mm	150mm	12mm	1.08	32kg	2mm
SCE09512PP	950mm	1200mm	150mm	12mm	1.08	32kg	2mm
SCE1012PP	1000mm	1200mm	150mm	12mm	1.20	36kg	2mm
SCE10512PP	1050mm	1200mm	150mm	12mm	1.26	37kg	2mm
SCE1112PP	1100mm	1200mm	150mm	12mm	1.32	38kg	2mm
SCE11512PP	1150mm	1200mm	150mm	12mm	1.38	41kg	2mm
SCE1212PP	1200mm	1200mm	150mm	12mm	1.44	43kg	2mm
SCE12512PP	1250mm	1200mm	200mm	12mm	1.50	45kg	2mm
SCE1312PP	1300mm	1200mm	200mm	12mm	1.56	47kg	2mm
SCE13512PP	1350mm	1200mm	200mm	12mm	1.62	49kg	2mm
SCE1412PP	1400mm	1200mm	250mm	12mm	1.68	50kg	2mm
SCE14512PP	1450mm	1200mm	250mm	12mm	1.74	53kg	2mm
SCE1512PP	1500mm	1200mm	250mm	12mm	1.80	54kg	2mm
SCE15512PP	1550mm	1200mm	250mm	12mm	1.86	56kg	2mm
SCE1612PP	1600mm	1200mm	250mm	12mm	1.92	58kg	2mm



FRAMELESS GLASS BALUSTRADE PANELS



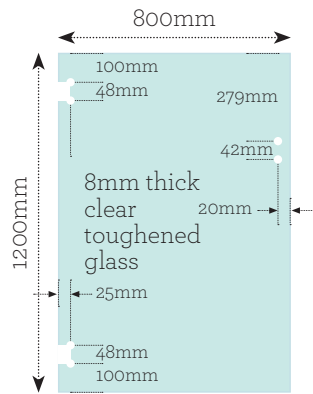
Order Code	Width	Height	Distance from Edge to Spigot (X)	Thickness	Sqm	Glass Weight KGS	Corner Radius
SCE0610BP	600mm	1000mm	100mm	12mm	0.60	18kg	2mm
SCE0710BP	700mm	1000mm	100mm	12mm	0.70	21kg	2mm
SCE0810BP	800mm	1000mm	150mm	12mm	0.80	24kg	2mm
SCE08510BP	850mm	1000mm	150mm	12mm	0.85	25.5kg	2mm
SCE0910BP	900mm	1000mm	150mm	12mm	0.90	27kg	2mm
SCE09510BP	950mm	1000mm	150mm	12mm	0.95	28.5kg	2mm
SCE1010BP	1000mm	1000mm	150mm	12mm	1.00	30kg	2mm
SCE10510BP	1050mm	1000mm	150mm	12mm	1.05	31.5kg	2mm
SCE1110BP	1100mm	1000mm	150mm	12mm	1.10	33kg	2mm
SCE11510BP	1150mm	1000mm	150mm	12mm	1.15	34.5kg	2mm
SCE1210BP	1200mm	1000mm	150mm	12mm	1.2	36kg	2mm
SCE12510BP	1250mm	1000mm	200mm	12mm	1.25	37.5kg	2mm
SCE1310BP	1300mm	1000mm	200mm	12mm	1.3	39kg	2mm
SCE13510BP	1350mm	1000mm	200mm	12mm	1.35	40.5kg	2mm
SCE1410BP	1400mm	1000mm	250mm	12mm	1.4	42kg	2mm



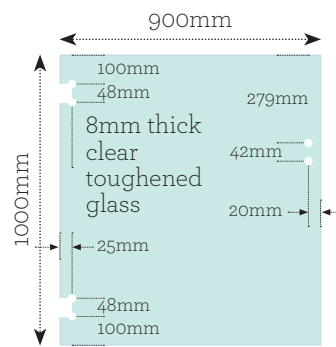
FRAMELESS GLASS GATE & HINGE PANELS

BELAIRE GATE PANELS

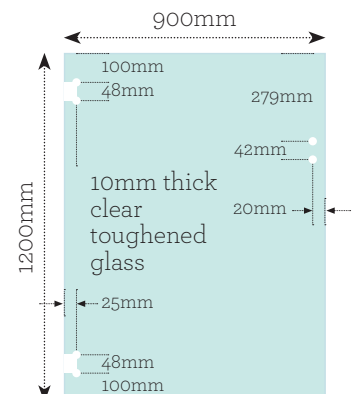
- 8 & 10mm thick clear toughened glass
- Corner radius: 2mm
- 10mm supplied as standard



Order Code: SCE0812GP PH
Glass weight: 19.9kg



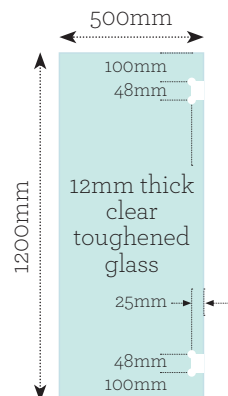
Order Code: SCE0910GP PH
Glass weight: 21.6kg



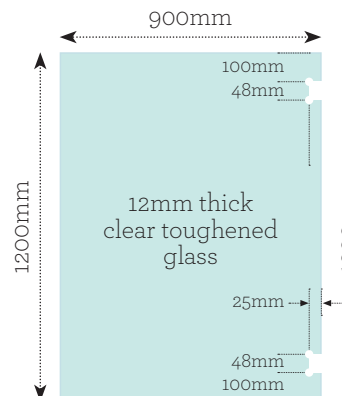
Order Code: SCE0912GP PH
Glass weight: 28kg

BELAIRE HINGE PANELS

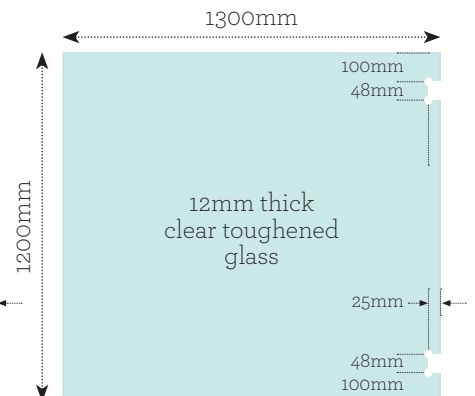
- 12mm thick clear toughened glass
- Corner radius: 2mm



Order Code: SCE0512HP PH
Glass weight: 18kg



Order Code: SCE0912HP PH
Glass weight: 32.4kg

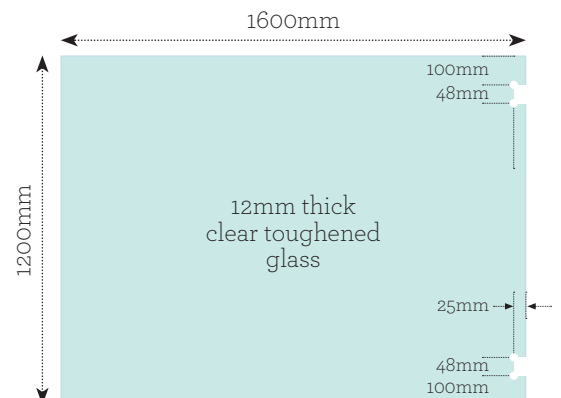


Order Code: SCE1312HP PH
Glass weight: 46.8kg

NOTE: 500mm wide hinge panel is only suitable for use with an 800mm wide gate and clamps



Order Code: SCE14512HP PH
Glass weight: 52.2kg

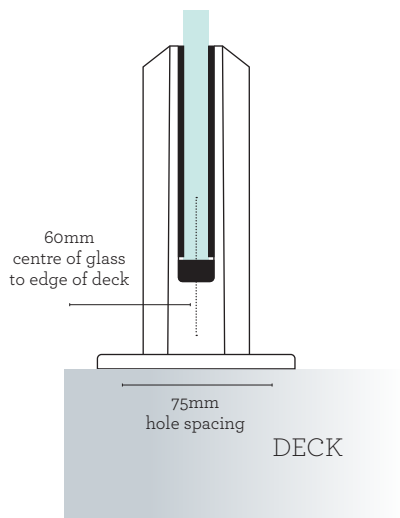


Order Code: SCE1612HP PH
Glass weight: 58kg

DECK LAYOUTS

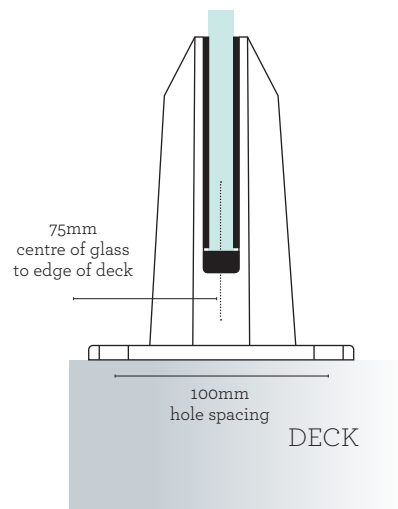
SQUARE BASE PLATE SPIGOT (TEKAPO)

External deck measurements need a minimum of 60mm + 25mm (total of 85mm) taken off each corner of the deck to get the correct dimensions to work out the glass panels.



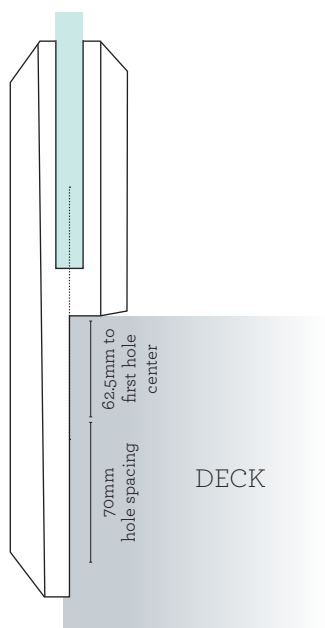
DOMICAL BASE PLATE SPIGOT (MILFORD)XS

External deck measurements need a minimum of 75mm + 25mm (total of 100mm) taken off each corner of the deck to get the correct dimensions to work out the glass panels.



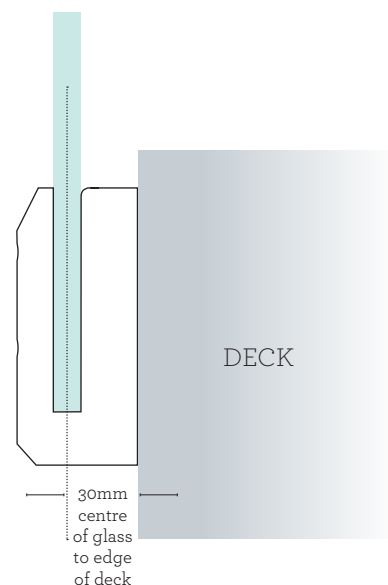
SIDE MOUNT SPIGOT (KAWEKA)

The glass sits flush with the outside of the deck, so use the dimensions of the deck to work out the glass panels.



SIDE MOUNT SPIGOT (AORAKI)

External deck measurements need 30mm added to each corner of the deck to get the correct dimensions to work out the glass panels.



FRICTION SPIGOT RANGE

- Contemporary square shape with minimal visible fixings
- Slim profile with tapered top to comply with “no foot hold” requirements
- Recessed friction plate for neat finish
- Base plate spigots have countersunk holes to enable flush fitting Marine Grade Stainless Steel
- Made from **Duplex 2205 stainless steel** - a superior duplex stainless steel, featuring elevated levels of chemical compounds that enable superior strength and corrosion/pitting resistance. Commonly used in harsh marine environments.

ALL SPIGOTS* ARE NOW AVAILABLE **POWDER-COATED**** IN A RANGE OF **DULUX COLOURS**

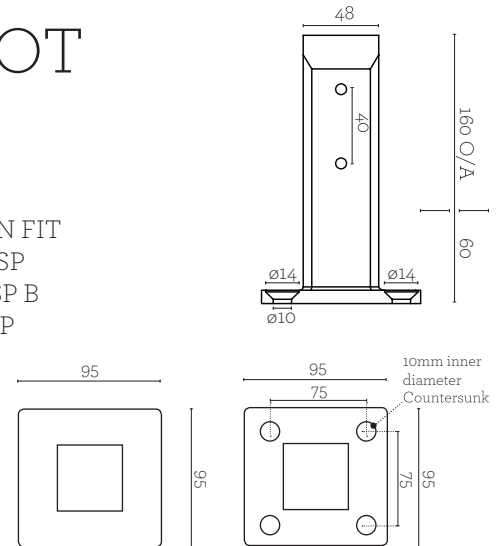
TEKAPO BASE PLATE SPIGOT

Duplex 2205 Stainless Steel



BASE PLATED Spigot - FRICTION FIT
Polish Finish Order Code: SCEPSSP
Black Finish Order Code: SCEPSSP B
Satin Finish Order Code: SCEPPSP

SLIMLINE DOMICAL COVER
Polish or Black Finish
 (Comes with base plated spigot)



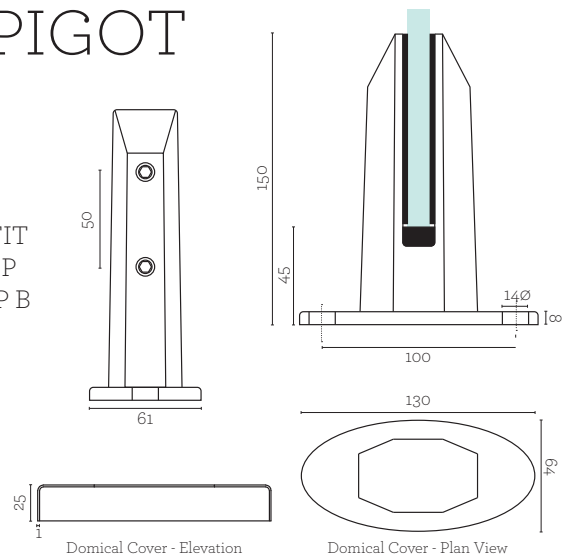
MILFORD BASE PLATE SPIGOT

Duplex 2205 Stainless Steel



BASE PLATE Spigot - FRICTION FIT
Polish Finish Order Code: SCEPSOP
Black Finish Order Code: SCEPSOP B

DOMICAL COVER
Polish, Satin or Black Finish
 (Comes with the base plated spigot)

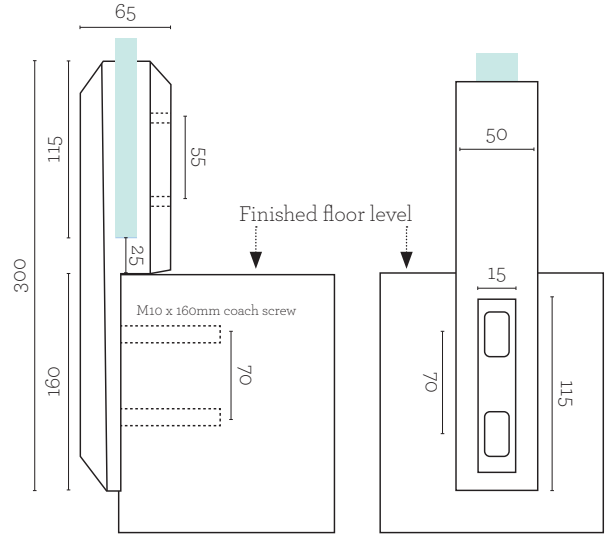


*spigots only, not gate hardware. **1yr Warranty on Powder-Coated black spigots.

ALL
SPIGOTS ARE
NOW AVAILABLE
POWDER-COATED
IN A RANGE OF
DULUX
COLOURS

KAWEKA SIDE MOUNT SPIGOT

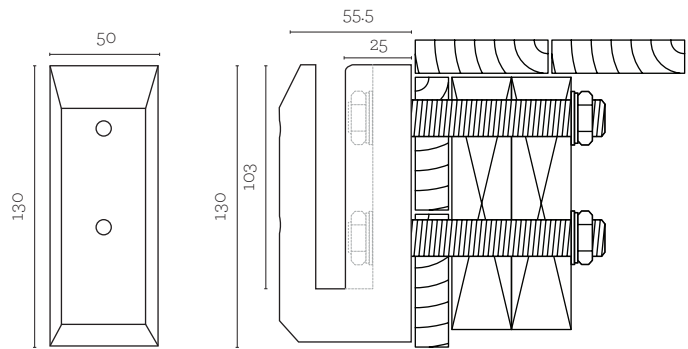
Duplex 2205 Stainless Steel



Side Mount Bracket - FRICTION
Polish Finish Order Code: SCESMS
Black Finish Order Code: SCESMS B

AORAKI SIDE MOUNT SPIGOT

Polish finish Duplex 2205 Stainless Steel



FACE MOUNTED Spigot - FRICTION FIT
Polish Finish Order Code: SCEFMS
Black Finish Order Code: SCEFMS B

SIDE MOUNT ADVANTAGES

- Made from stainless steel 2205
- Convenient alternative to standoffs
- Friction fitting side mount clamp
- Square shape with minimal visible fixings
- No holes in glass required
- Suits 12mm glass
- Quick and easy install

TEKAPO CORE DRILL SPIGOT

Duplex 2205 Stainless Steel

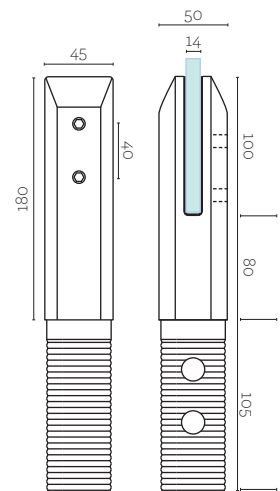


Polish Finish

Black Finish

CORE DRILL Spigot - FRICTION FIT
 Polish Finish Order Code: SCECDS
 Black Finish Order Code: SCECDS B

DRESS RING
 Polish or Black Finish
 (Comes with the core drill spigot)



FIXINGS FOR ALL SPIGOTS

Timber Fixings:

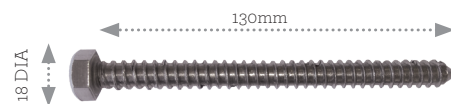


Countersunk Timber Screw 130mm Long

Stainless Steel 316 (Hex head drive)

Order Code: SCETCSK

- Self tapping 130mm length with M8 diameter screw
- Ideal for fixing Tekapo spigots onto a timber deck



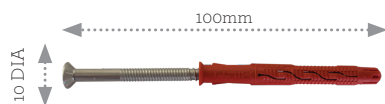
Coachscrew Timber Screw 130mm Long

Stainless Steel 316 (Hex head drive)

Order Code: SCETHX

- Self tapping 130mm length with M10 diameter screw
- Ideal for fixing Milford and Kaweka spigots onto a timber deck

Concrete Fixings:

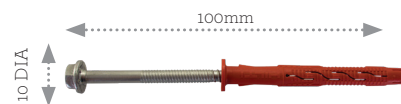


Countersunk Sleeve Concrete Screw 100mm Long

Stainless Steel 316 (Torx head drive)

Order Code: SCECCSK

- Self tapping 100mm length with 10mm outer; M8 diameter screw
- Ideal for fixing Tekapo spigots onto a concrete pad
- Pre-assembled for optimum handling and fastening quality



Collard Concrete Anchor 100mm Long

Stainless Steel 316 (Hex head drive)

Order Code: SCECHX

- Self tapping 130mm length with 10mm outer; M8 diameter screw
- Ideal for fixing Milford and Kaweka spigots onto a concrete pad
- Pre-assembled for optimum handling and fastening quality

Also other items such as Chemset and threaded rod available on request.

GLASS SUCTION CUPS



Suction Lifter For Glass - Single Cup Truper

Order Code: SCEGSHS

- Maximum load capacity 40kg
- Rubber cup ideal for handling glass plates

Suction Lifter For Glass - Double Cup Truper

Order Code: SCEGSHD

- Maximum load capacity 70kg
- Rubber cup ideal for handling glass plates

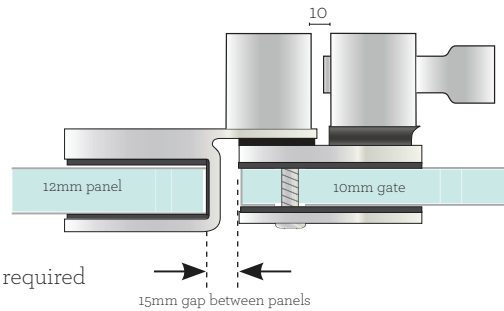
GATE HARDWARE: LATCHES & HINGES

GLASS-TO-GLASS LATCH KIT Polish finish Duplex 2205 Stainless Steel

Order Code: SCEHPGL

SPECIFICATION

- Full stainless steel side pull latch; Duplex 2205 stainless steel
- Friction latch for glass to glass 180 degree application
- Suits 8mm and 10mm glass gates
- Latch panel must be 12mm thick - No latch holes required
- Available in polish finish only



GLASS-TO-WALL/ SQUARE POST LATCH KIT Polish finish Duplex 2205 Stainless Steel

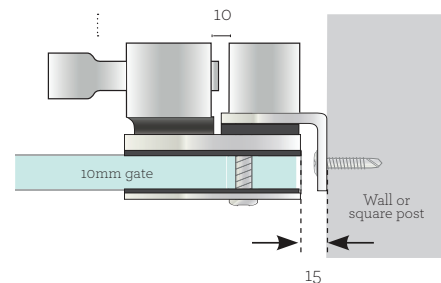
Order Code: SCEHPGWL

SPECIFICATION

- Full stainless steel side pull latch; 2205 stainless steel
- Suitable for application to wall or square posts
- Suits 8mm and 10mm glass gates
- Available in polish finish only



anonymous

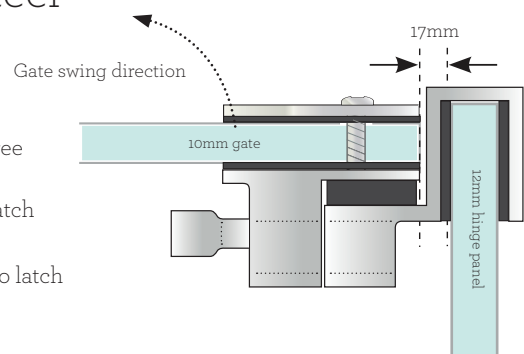


GLASS-TO-GLASS 90° LATCH KIT (external fit) Polish finish Duplex 2205 Stainless Steel

Order Code: SCEHPGL90EX

SPECIFICATION

- Side pull latch glass gate to 90 degree latch panel external fit
- Stainless steel backing plates and latch
- Suits 8mm and 10mm glass gates
- Latch panel must be 12mm thick - no latch holes required



GLASS-TO-GLASS LATCH KIT

316 Stainless Steel & Polymer



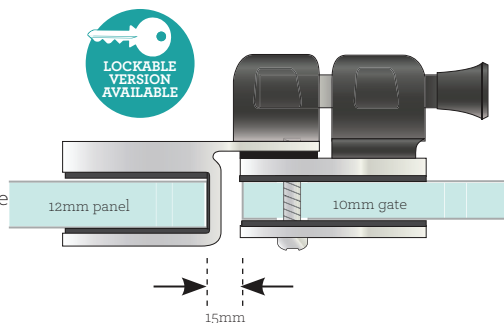
Polish Finish Order Code: SCEGL

Black Finish Order Code: SCEGL B

Satin Finish Order Code: SCEGL S

SPECIFICATION

- Side pull latch
- FRICTION LATCH for glass to glass 180 degree application
- Stainless steel backing plates + D&D side pull polymer latch
- Suits 8mm and 10mm glass gate
- Latch panel must be 12mm thick - no latch holes required
- Available in polish finish backing plates



GLASS-TO-GLASS 90° LATCH KIT (external fit)

316 Stainless Steel & Polymer



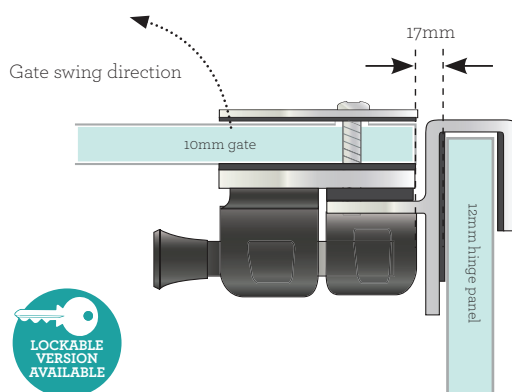
Polish Finish Order Code: SCEGL90EX

Black Finish Order Code: SCEGL90EX B

Satin Finish Order Code: SCEGL90EX S

SPECIFICATION

- Side pull latch glass gate to 90 degree latch panel external fit
- Stainless steel backing plates + D&D side pull polymer latch
- Suits 8mm and 10mm glass gates
- Latch panel must be 12mm thick - no latch holes required



GLASS-TO-GLASS 90° LATCH KIT (internal fit)

316 Stainless Steel & Polymer



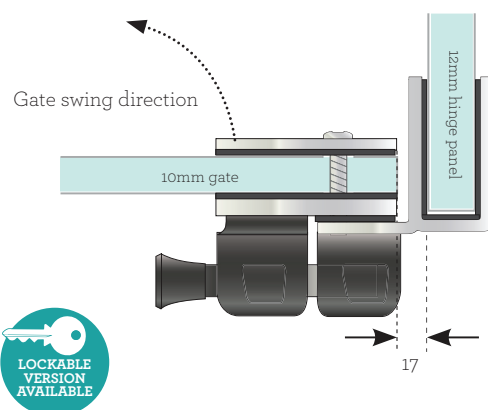
Polish Finish Order Code: SCEGL90IN

Black Finish Order Code: SCEGL90IN B

Satin Finish Order Code: SCEGL90IN S

SPECIFICATION

- Side pull latch
- Glass gate to wall/square post application
- Stainless steel backing plates + D&D side pull polymer latch
- Suits 8mm and 10mm glass glass gates
- Available in satin or polish finish backing plate
- Suits 'internal 90 degree' configuration



GLASS-TO-WALL/ SQUARE POST LATCH KIT

316 Stainless Steel & Polymer

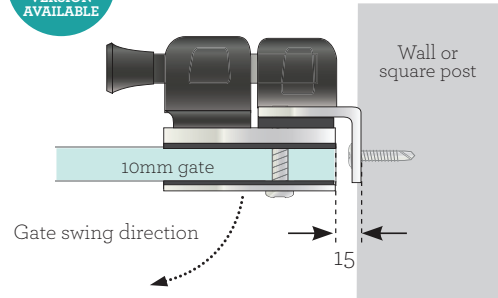


Polish Finish Order Code: SCEGWL
Black Finish Order Code: SCEGWL B
Satin Finish Order Code: SCEGWL S



SPECIFICATION

- Side pull latch glass gate to 90 degree latch panel internal fit pull polymer latch
- Stainless steel backing plates + D&D side
- Suits 8mm and 10mm glass gates
- Latch panel must be 12mm thick - no latch holes required
- Available in polish finish backing plate



POLARIS SOFT CLOSING GLASS-TO-GLASS HINGE

120 Series Pool Hinge



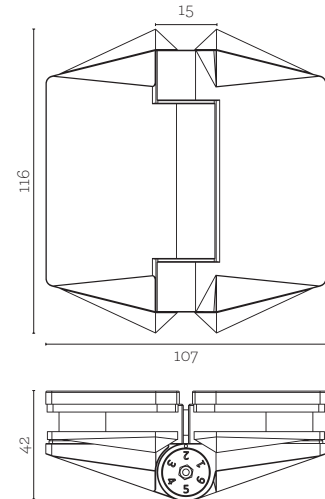
Polish Finish
Order Code: SCEPHGG



Black Finish
Order Code: SCEPHGG B

SPECIFICATION

- 2205 grade stainless steel
- Self closing pool fence compliant safety hinge
- Suits 10 or 12mm thick glass gates (max 45kg)
- Polish or Matt Black finish
- Sleek New Look
- Revolutionary Anti-Drop Gate Packing system which lowers the chance of the gate dropping.



Easy swing tension adjustment with allen key

GLASS-TO-WALL/SQ. POST HINGES (set of 2)

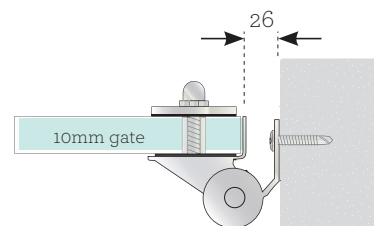
Polish finish Duplex 2205 Stainless Steel



Order Code: SCEHPGWHS

SPECIFICATION

- Glass gate to wall or square post application
- Suits 8 and 10mm glass gates
- Stainless steel Duplex 2205
- Available in polish or satin finish
- Cone cap incorporated to prevent 'toe hold'

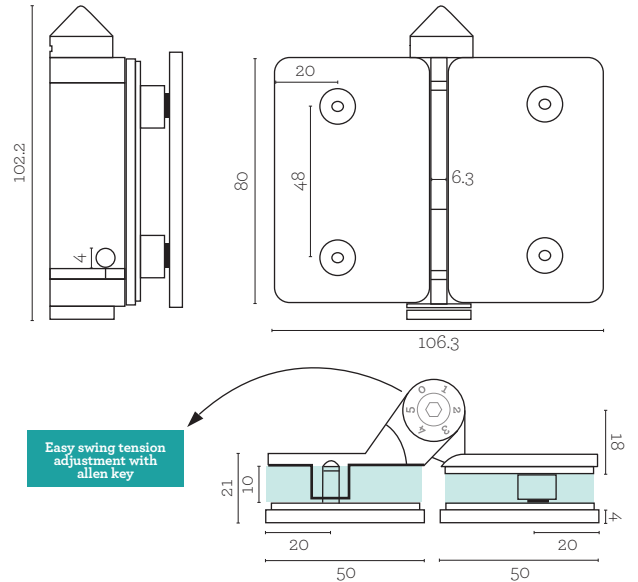


GLASS-TO-GLASS HINGES (set of 2)

Duplex 2205 Stainless Steel



Polish Finish Order Code: SCEPHPS
Satin Finish Order Code: SCEPHPS S
Black Finish Order Code: SCEPHPS B



SPECIFICATION

- Glass gate to glass hinge panel
- Stainless steel Duplex 2205
- Suits 8 and 10mm glass gates
- Available in polish finish
- Cone cap incorporated to prevent 'toe hold'
- Includes solid stainless 2205 backing plates for a premium finish

POLARIS 125 SERIES GLASS-TO-WALL HINGES (set of 2)

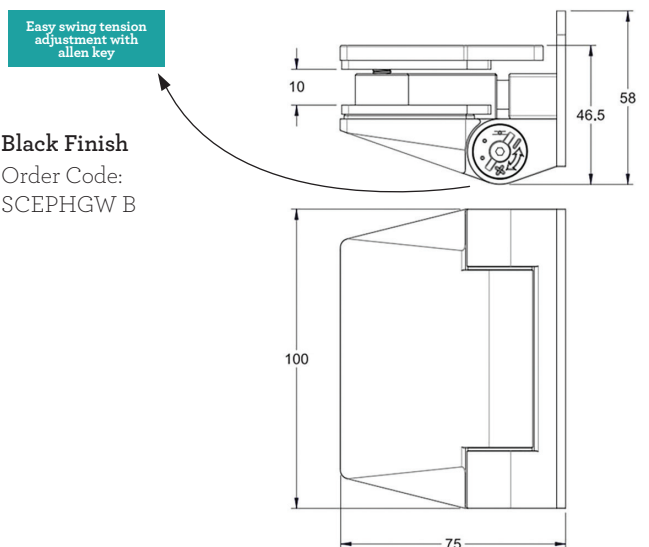
Duplex 2205 Stainless Steel



Polish Finish
 Order Code: SCEPHGW



Black Finish
 Order Code: SCEPHGW B



SPECIFICATION

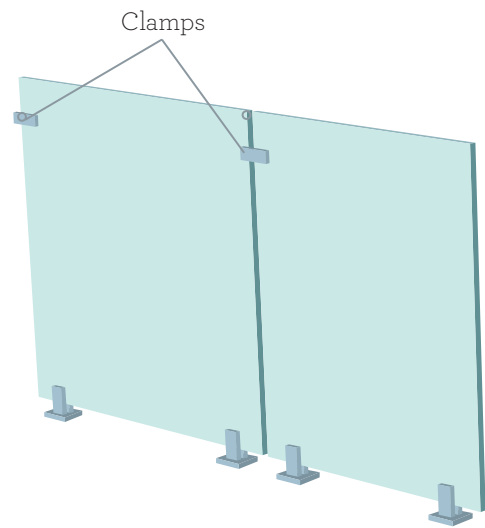
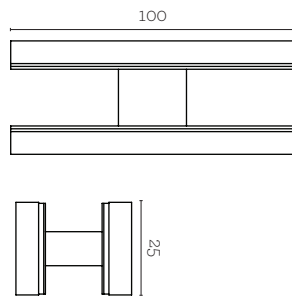
- 2205 grade stainless steel
- Self closing pool fence compliant safety hinge
- Suits 10 or 12mm thick glass gates (max 45kg)
- Polish or Matt Black finish
- Sleek new look
- Revolutionary Anti-Drop Gate Packing system which lowers the chance of the gate dropping.

CLAMPS & HANDRAILS

- Contemporary rigidity brackets that are “friction fit” – the glass panels do not require pre-drilled holes.
- All are suitable for 12mm glass.

SMALL RIGI CLAMP

316 Stainless Steel

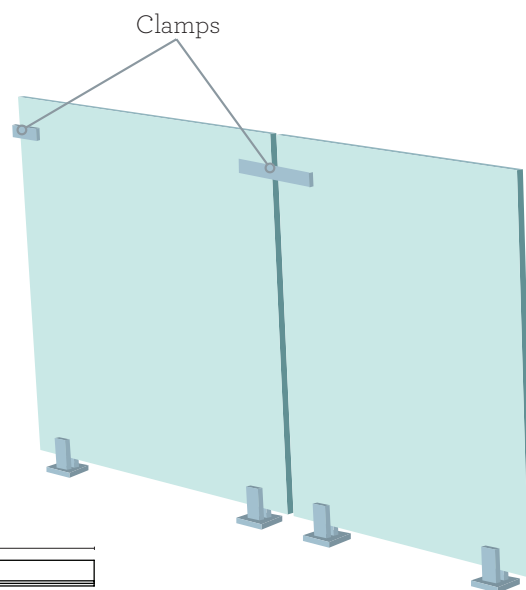
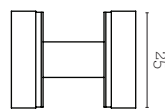


Polish Finish Order Code: SCEGGS
Black Finish Order Code: SCEGGS-B

- Tightens with an allen key
- Gap between panels: min 18mm / max 40mm

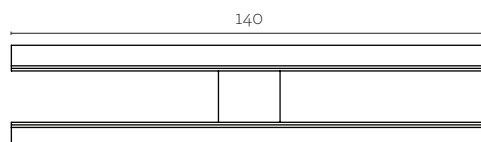
LARGE RIGI CLAMP

316 Stainless Steel



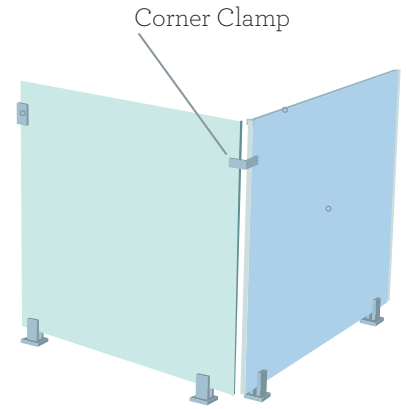
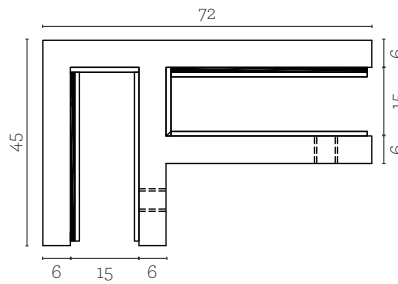
Polish Finish Order Code: SCEGGL
Black Finish Order Code: SCEGGL-B

- Tightens with an allen key
- Gap between panels:
min 40mm / max 70mm



90° RIGI CLAMP

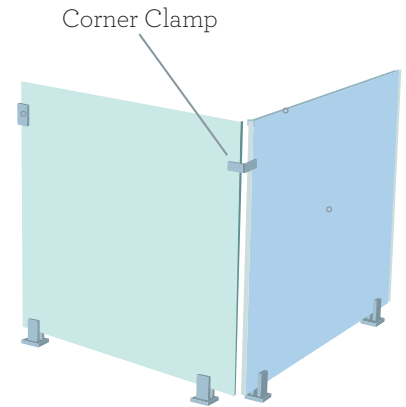
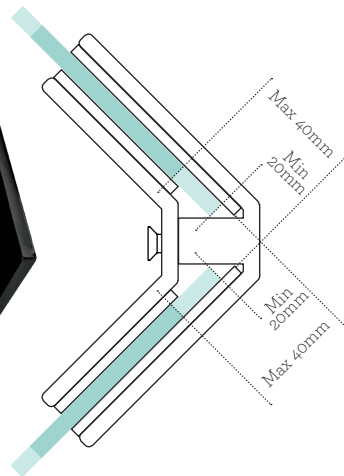
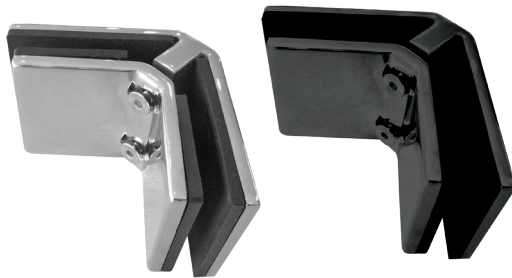
316 Stainless Steel



Polish Finish Order Code: SCEGG90
Black Finish Order Code: SCEGG90-B

90° HEAVY DUTY CORNER CLAMP

316 Stainless Steel



Polish Finish Order Code: SCEGG90HD
Black Finish Order Code: SCEGG90HD-B

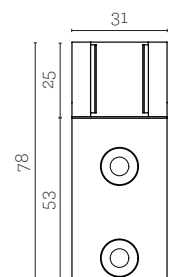
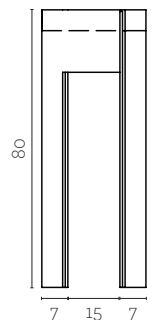
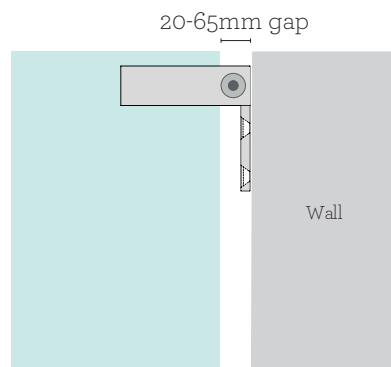
WALL RIGI CLAMP

316 Stainless Steel



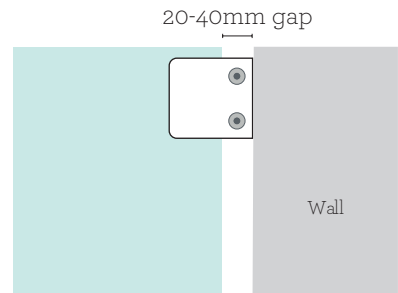
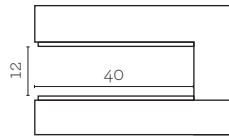
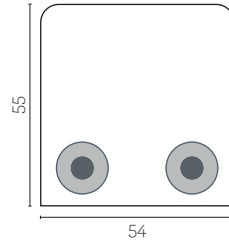
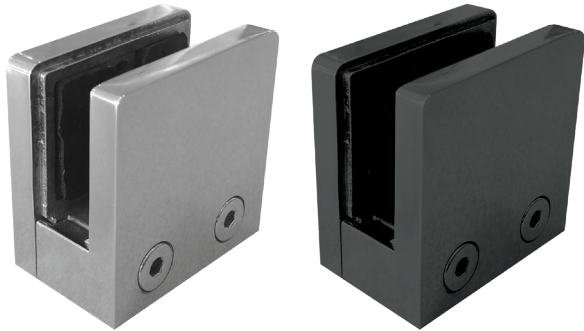
Polish Finish Order Code:
 SCEGWV (Vertical)
 SCEGWH (Horizontal)
Black Finish Order Code:
 SCEGWV B (Vertical)
 SCEGWH B (Horizontal)

- Adjustable with allen key
- Counter sunk screw holes



HEAVY DUTY WALL CLAMP

316 Stainless Steel



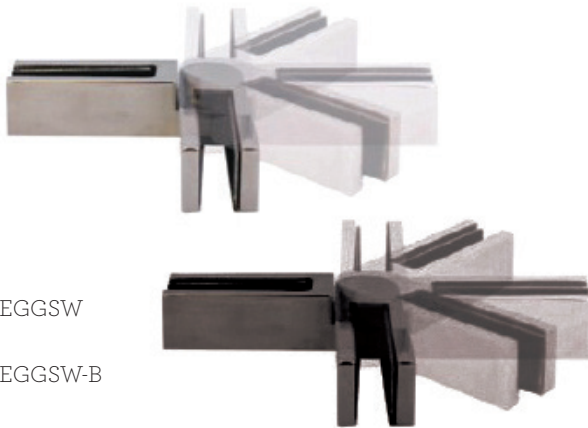
Polish Finish Order Code: SCEGWHD
Black Finish Order Code: SCEGWHD-B

- Adjustable with allen key
- Counter sunk screw holes

SWIVEL RIGI CLAMP

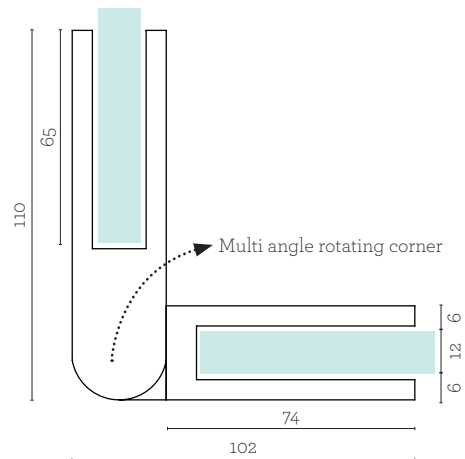
316 Stainless Steel

VARIABLE ANGLE



Polish Finish
 Order Code: SCEGGSW

Black Finish
 Order Code: SCEGGSW-B



HANDRAIL – 5800mm x 25mm x 21mm

316 Stainless Steel

Polish Finish

SLIMLINE RAIL



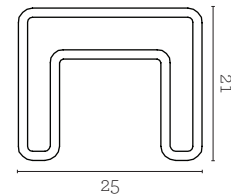
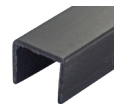
Black Finish

COMPLIANT WITH
 NZS4223:2016 and F4

Polish Finish Order Code: SCEHR5,8 OR 2,9
Black Finish Order Code: SCEHR5,8 OR 2,9 B

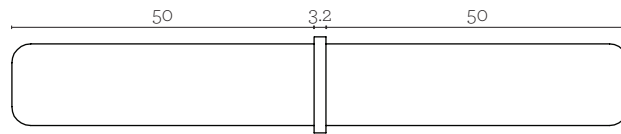
SPECIFICATION

- Slimline stylish profile - caps over 12mm thick glass
- 1.2mm wall thickness
- 14 x 14mm glazing pocket: silicone onto glass or use in conjunction with glazing rubber
- To be compliant with NZS4223:2016 - Approved Balustrade Handrail



180° CONNECTOR – 25mm x 21mm

316 Stainless Steel



Polish Finish

Order Code: SCEHR180

Black Finish

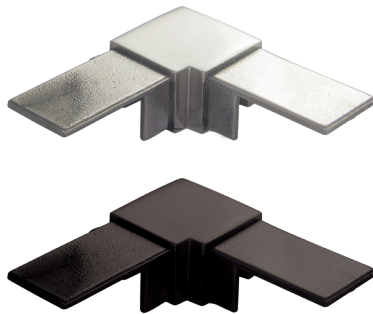
Order Code: SCEHR180-B

SPECIFICATION

- In-line rail joiner
- Easy to use tap-in fitting; allows for increased speed of assembly
- Stainless Steel 316
- Friction fitting or epoxy can be used

90° CONNECTOR – 25mm x 21mm

316 Stainless Steel

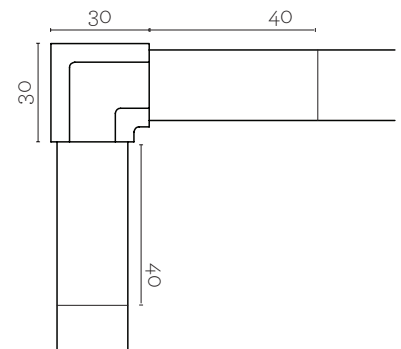


Polish Finish Order Code: SCEHR90

Black Finish Order Code: SCEHR90-B

SPECIFICATION

- 90 degree corner joiner ; easy to use tap-in fitting
- Stainless Steel 316
- Epoxy glue or drill/tap tube for joining strength



HANDRAIL SWIVEL VERTICAL CORNER JOINER LEFT AND RIGHT

316 Stainless Steel



Polish Finish Order Code: SCEHRSCJL

Black Finish Order Code: SCEHRSCJL-B

LEFT SPECIFICATION

- Variable angle corner joiner
- From straight rail, achieve up to 90 degrees left angle joining
- Epoxy glue, weld or drill/top tube for joining strength

Polish Finish Order Code: SCEHRSCJR

Black Finish Order Code: SCEHRSCJR-B

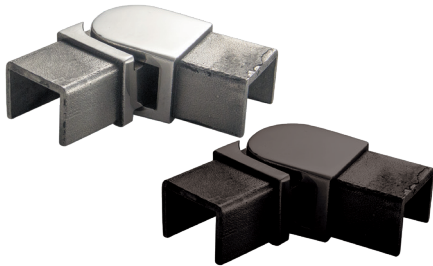
RIGHT SPECIFICATION

- Variable angle corner joiner
- From straight rail, achieve up to 90 degrees right angle joining
- Epoxy glue, weld or drill/top tube for joining strength

SWIVEL HORIZONTAL CONNECTOR

316 Stainless Steel

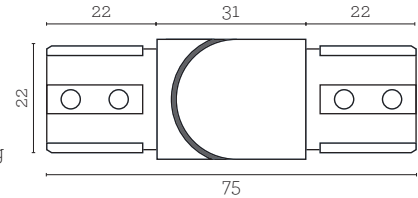
VARIABLE ANGLE



Polish Finish Order Code: SCEHRH
Black Finish Order Code: SCEHRH-B

SPECIFICATION

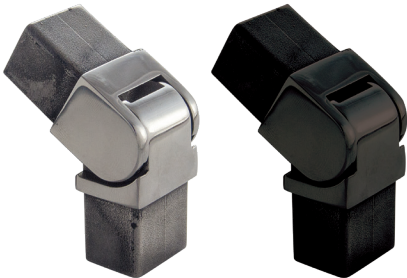
- Variable angle horizontal joiner
- From straight rail, achieve up to 90 degrees left or right angle joining
- Epoxy glue or drill/top tube for joining strength



SWIVEL VERTICAL CONNECTOR

316 Stainless Steel

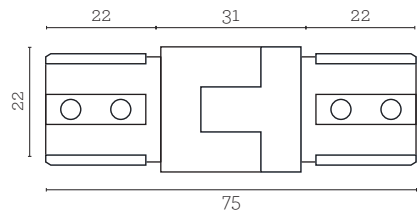
VARIABLE ANGLE



Polish Finish Order Code: SCEHRV
Black Finish Order Code: SCEHRV-B

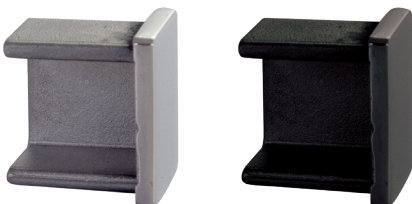
SPECIFICATION

- Variable angle vertical joiner
- From straight rail, achieve up to 45 degrees upwards and downwards
- Ideal for staircase installation



END CAP – 25mm x 21mm

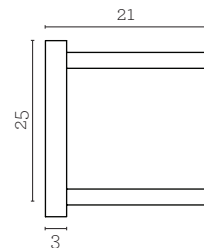
316 Stainless Steel



Polish Finish Order Code: SCEHREC
Black Finish Order Code: SCEHREC-B

SPECIFICATION

- End cap; easy to use tap-in fitting
- Stainless Steel 316
- Epoxy glue or drill/tap tube for joining strength



WALL PLATE – 25mm x 21mm

316 Stainless Steel



Polish Finish
 Order Code: SCEHRWC
Black Finish
 Order Code: SCEHRWC-B

SPECIFICATION

- Bracket can be affixed to wall/post
- 25 x 21mm tube fits into opening (female fit)
- Stainless Steel 316
- Grub Screw for joining strength

