



ALUMINIUM FENCING & SCREEN SYSTEMS



BelAire[®]
DESIGNER FENCING

...make it your own!

**BELAIRE
SLAT FENCING
IS F9 COMPLIANT FOR
RESIDENTIAL SWIMMING
POOLS WHEN:**

- Fence is at least 1.8m high
- Fence composed of horizontal slats
- Gaps between slats are less than 10mm
- Gap under fence is less than 100mm





BelAire slats between BelAire Signature posts.

BelAire[®]
DESIGNER FENCING

...make it your own!

ALUMINIUM FENCING & SCREEN SYSTEMS

COST-EFFECTIVE

BelAire slat and louvre fencing is a great cost-effective option where a degree of privacy and security is required.

BUILT TO LAST

Our powder-coated aluminium posts, channels and slats are very light, structurally very strong, and are supplied to you in a colour (or combination of colours) of your choice.

It is important to note that our fencing, with 25mm wide slats, is superior in strength to some inferior fencing with 15mm wide slats.

EASY INSTALLATION

Our slat and louvre fencing is designed to be assembled with ease. The posts can be concreted into post holes, or attached to existing walls or posts. BelAire slat fencing panels can be easily handled by two people, making them perfect for difficult-to-access areas such as back yards or annexed ground.

We provide step by step self-install instructions that any competent DIY person should be able to follow, but if you'd rather get someone else to install it, we have a list of preferred installers throughout NZ. Call us on 0800 235 2473 and we will put you in touch with an installer in your area.

WARRANTY

New Zealand-made and 10 year warranty information. Be assured that with very little maintenance your fence will give you great privacy and security for many years to come. Only the finest raw materials have been used in the construction of your fence. The suppliers of these raw materials state that they have a design life well in excess of 20 years. With this assurance we offer you a replacement warranty for any component of your new fencing if it fails within 10 years* from date of purchase.



*2yr Warranty within a 1500m sea spray zone.

Kotuitui Development

After Ace Landscapes installed traditional timber fences for Kāinga Ora homes' Kotuitui development they could see how it could degrade after a few weeks. Then they came across BelAire Designer Fencing's Aluminium Slat fencing range, provided them a good, strong, and low maintenance system that would look great for many years.

Project Specifications:

Vertical Slats Fencing

1200, 1500 and 1800mm high

Flush Capping, Slatted Bays and Solid Bays

85 x 25mm used to create open slats with closed areas of 60 x 60mm posts. Bay widths varied from 1800 - 2400mm

Colour

Flax (matches Dulux Flaxpod)

Before



After



Dominion Construction

Being situated in the centre of New Zealand's busiest CBD, on Princess Street, the architects wanted a product that was robust, strong and looked great. Our perfect solution was to supply and install the BelAire Slat fencing system which enhanced the project and caused little disturbance to the site.

Project Specifications:

Aluminium Slat

2400mm high

Flush Capping, Slatted Bays and Solid Bay

Slat panels between engineered 150 x 100mm, with 15mm Gaps

Aluminium Flange plated posts, 54m with 3 Gates

Colour

Ebony (Black)



Matarangi Slat Fencing

With such a modern stylish looking house, the Aluminium Slats were a perfect complimentary look. The matching gates, along with their full automation functionality allow the customer to easily access his boat, house and garden exactly as requested.

Project Specifications:

Horizontal Slats Fencing

Ranging between 1900mm to 1600mm high

Flush Capping and Slatted Bays

85x25mm Aluminium Slats between
90x90mm Aluminium Flange posts fixed to
concrete nib/Timber decking

Colour

Black

“When we approached BelAire Designer Fencing, we were after a fencing solution that would look good and enhance the overall look of our house and the property. The fencing system also needed to be low maintenance, durable and cost effective. BelAire fit perfectly with all our criteria. BelAire overall advice, service and project communications were excellent. Considering the customisation required for the tricky site, the installation of the fence and gates went smoothly. Thank you BelAire”

Tadek G





Why Choose BelAire Slat Fencing?

See below our strength test of the BelAire 85 x 25 mm slat. What super strength was proven in this test when we loaded 69.3kgs onto the 85 x 25mm slat spanning 2400mm. The 65 x 16mm slat took a mere 30kgs before it crumpled to the ground. You will see in the bow in the pictures below that the BelAire Slat had a similar bow but not as much as the 65mm slat with only 25.2kgs loaded to it.

KEY FEATURES

- No Twisting, Warping, Rotting
- Looks the same as the day it was installed for many years
- Already finished to a colour of your choice
- Simple Install
- Customizable and versatile to suit any landscape
- Horizontal or Vertical options
- Lightweight but very Durable
- Low Maintenance
- Modern Sleek look
- Adjustable gaps to suit your privacy needs

BELAIRE SLAT vs TRADITIONAL 65 X 16MM SLAT



SLAT FENCING

Post dimensions: 60 x 60mm or 90 x 90mm, 2mm BMT

Slat thickness: 25mm

Suitable for fence heights: 900mm - 2400mm

Post centres: 2400mm, 2700mm, 3000mm

BelAire slat fencing is fully customisable. If there's a particular size or configuration you require, call us on 0800 235 2473 and we'll custom-make a fence just for you.

POWDER-COAT COLOURS



Titania Gull Grey Slate Grey Grey Friars Ironsand Ebony Flax

STANDARD COLOUR RANGE FOR 85mm SLATS (BEST PRICES)

You can choose the same colour for your posts, channels and slats, or any combination you wish!

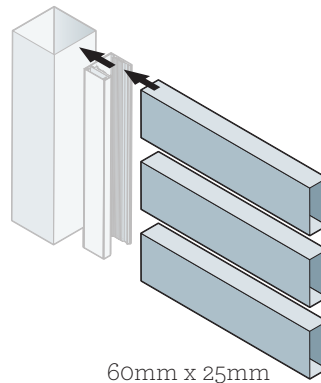
We can also powdercoat the slats to any of the colours in the Dulux powdercoating chart, found at: www.duluxpowdercoatings.co.nz

SLATS

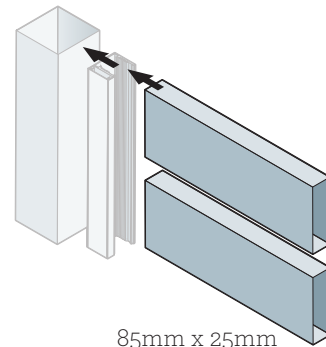
Slat construction:

- 85mm x 25mm (standard stocked size)
- 60mm x 25mm (available on request)
- 1.6mm powder-coated aluminium

It is important to note that our fencing, with 25mm wide slats, is superior in strength to some inferior fencing with 16mm wide slats.



60mm x 25mm



85mm x 25mm

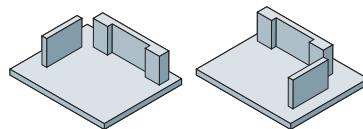
Refer to www.belairefencing.co.nz/aluminium-slat-fencing/ for Slat testing examples

SLAT FENCING CHANNEL

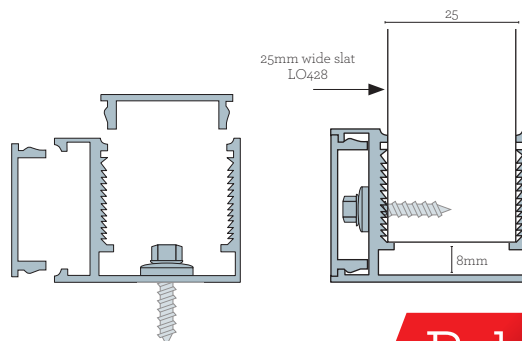
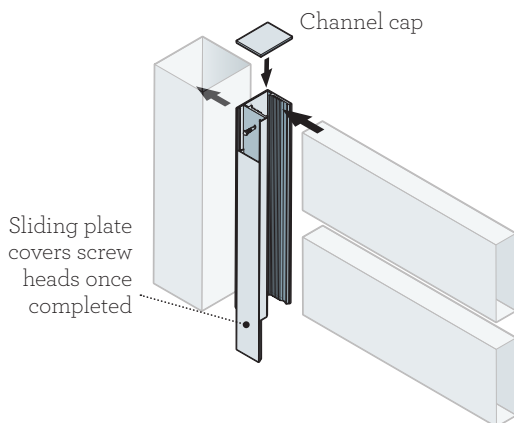
Construction:

Powder-coated aluminium.

Channel: 39mm x 32mm (includes sliding screw cover plate)



Left and right channel caps available in Gull Grey or Black



SLATS

Available in two heights - 85mm is our standard stocked size, and 60mm slats are available on request. The two types of slats can be used exclusively, or combined in any way you choose. Both can also be used either horizontally or vertically.

2330mm (length) x 85mm (height) x 25mm (width)

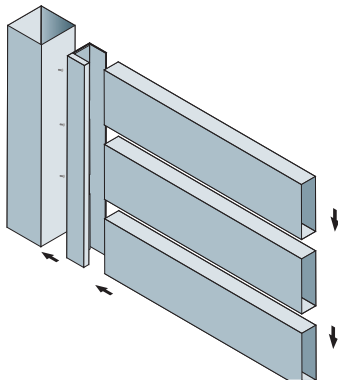
2630mm (length) x 85mm (height) x 25mm (width)

2930mm (length) x 85mm (height) x 25mm (width)

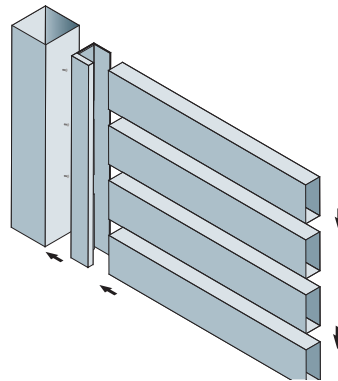
2330mm (length) x 60mm (height) x 25mm (width)

2630mm (length) x 60mm (height) x 25mm (width)

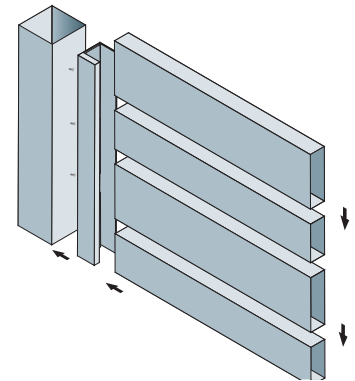
2930mm (length) x 60mm (height) x 25mm (width)



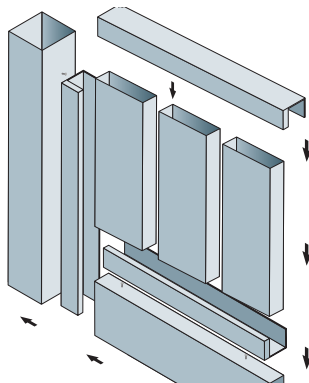
All 85mm horizontal slats



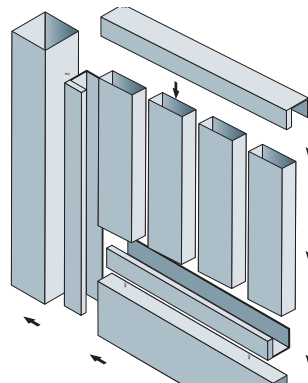
All 60mm horizontal slats



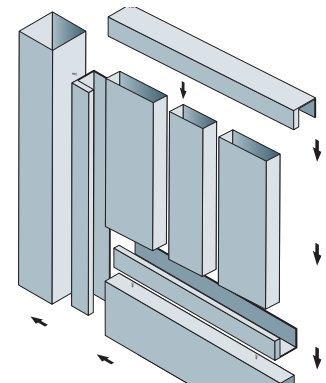
85mm and 60mm horizontal slats



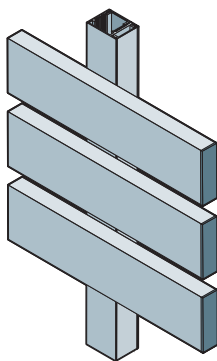
All 85mm vertical slats



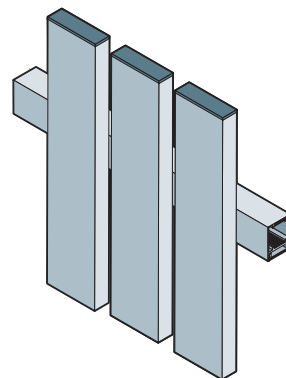
All 60mm vertical slats



85mm and 60mm vertical slats

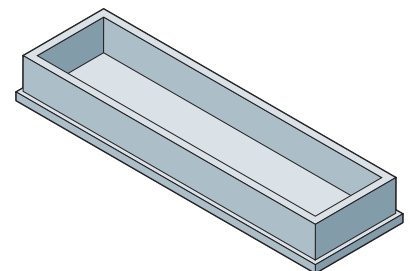


All 85mm with slat caps, mounted horizontally onto channel



All 85mm with slat caps, mounted vertically onto channel

85mm slat caps available in grey or black

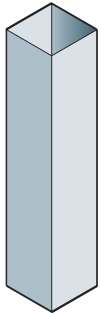


SLAT FENCING

SLATS

Both slat and louvre fencing is supplied with 60mm x 60mm in-ground posts as standard.

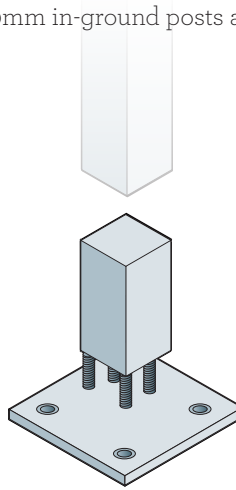
The following posts are available as options:



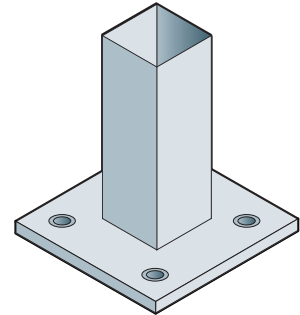
60mm x 60mm
in-ground post



90mm x 90mm
in-ground post



60mm x 60mm
flanged fixing
(post slides
onto fixing)



90mm x 90mm
welded flanged post



LOUVRE FENCING

Louvre sizes:

2400mm (length) x 136mm (height) x 32mm (width)

to suit 2400mm panels

2700mm (length) x 136mm (height) x 32mm (width)

to suit 2700mm panels

3000mm (length) x 136mm (height) x 32mm (width)

to suit 3000mm panels

**BelAire louvre fencing
is fully customisable.
If there's a particular size or
configuration you require, call
us on 0800 235 2473
and we'll custom-make
a fence just for you.**

You can choose the same colour for your posts, channels and slats, or any combination you wish!

**We powdercoat the louvres to any of the colours in the Dulux powdercoating chart, found at:
www.duluxpowdercoatings.co.nz**

LOUVRE FENCE PANELS

Louvre fence height options:

350mm (3 louvres)

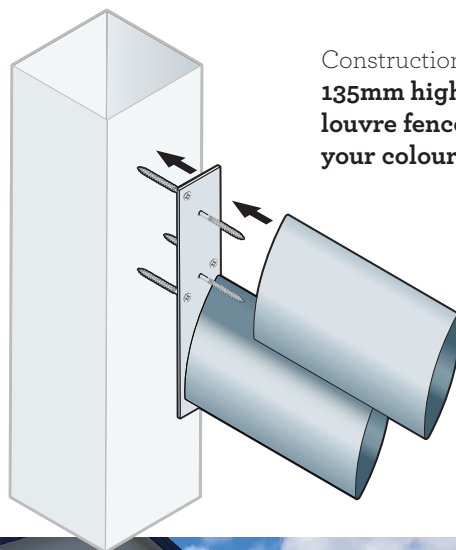
600mm (5 louvres)

900mm (8 louvres)

1200mm (10 louvres)

1500mm (13 louvres)

1800mm (15 louvres)



Construction:

**135mm high aluminium aerofoil
louvre fence powder-coated to
your colour choice.**



TONGUE & GROOVE PANELS

Post dimensions: 60mm (deep) x 60mm (face) 2mm BMT

Slat thickness: 14.8mm

Suitable for fence heights: 900mm - 2400mm

Post centres: 2400mm, 2700mm, 3000mm

BelAire tongue & groove panels are fully customisable. If there's a particular size or configuration you require, call us on 0800 235 2473 and we'll custom-make a fence just for you.

Construction:

1.6mm aluminium T&G with a 60 mm x 60mm frame.

Tongue & groove dimensions:

- 14.8mm (width) x 84.38mm (height) 80mm cover

Vertical & horizontal options available

