



Gasmate®

THE OUTDOORS MADE EASY.

NOVA GRAPHITE
OUTDOOR KITCHEN

The **NOVA Graphite Outdoor Kitchen** gives you the ultimate flexibility when designing your own amazing outdoor cooking and entertaining area.





A NOVA is a huge nuclear explosion on a white dwarf star and causes a sudden brightening of the star.

Features black sink and WELS rated hot and cold water tap.



Gasmate NOVA Graphite Sink, Bin & Storage Module.

Gasmate NOVA Graphite Storage Module.

The New **Gasmate NOVA Graphite Outdoor Kitchen** is the newest addition to the Gasmate range of BBQs and outdoor kitchens that will illuminate any alfresco area.

With over 30 years of innovation, Gasmate is now offering a sophisticated Graphite stainless steel design for a brand new outdoor kitchen style.



Gasmate NOVA Graphite 6 Burner BBQ.

With integrated side burner.

Modules feature premium porcelain top which is waterproof and resistant to scratching, high temperatures and UV rays. These benchtops are designed and built to withstand the variable Aussie climate, from heavy rain to hot sunny days.

Cabinet features ample storage with convenient slide-out cylinder storage and locking castors.

Each module in the NOVA Graphite range comes fully assembled and features locking castors.

Gasmate NOVA 3 Drawer Module

The **Gasmate NOVA Graphite Outdoor Kitchen** will take your alfresco area in a modern direction by incorporating dark stainless steel while still keeping all of the unique cooking features alfresco cooks have come to love from Gasmate.

The dark Graphite stainless blends well with stained wood decking and contrasts seamlessly with lighter colours.

It reduces the visual harshness and distinct contrast that, can at times, be the disadvantage of plain stainless steel.

One of the biggest drawbacks of traditional stainless steel is how smudges and fingerprints seem to multiply across its metallic surface, meaning extra work for you to keep it looking flawlessly clean. Graphite stainless steel, however, is much more resistant to smudges, fingerprints, streaks and water spots.

Graphite stainless steel complements many design concepts and colour schemes—largely because it “feels” a bit warmer than traditional stainless steel. Graphite stainless steel is ideal against white and grey, for a fresh, modern look. Yet the new finish also suits natural wood tones with its warmer undertones.

Graphite stainless steel is the same composition of iron, chromium, silicon, nickel and carbon that makes up traditional stainless steel products, but it has a protective coating of polymer that creates a black matte finish.





BBQs

Choose the perfect NOVA BBQ to create your perfect outdoor kitchen.



**NOVA GRAPHITE
6 BURNER BBQ**

BQ2090



**NOVA GRAPHITE
6 BURNER TWIN
HOOD BBQ**

BQ2092

BUILT-IN BBQs



For those that are wanting to build their own custom outdoor kitchen, with custom made cabinets, then the **Gasmate NOVA Built-In BBQs** are for you.

To take your outdoor kitchen design to the next level, featuring the NOVA Graphite stainless steel finish, the NOVA Graphite Built-In BBQs will help you create the ultimate, stylish and modern outdoor kitchen of your dreams.



**NOVA GRAPHITE
6 BURNER BUILT-IN
BBQ**

BQ2090B



**NOVA GRAPHITE
6 BURNER TWIN
HOOD BUILT-IN BBQ**

BQ2092B



**NOVA GRAPHITE
6 BURNER CLASSIC
BUILT-IN BBQ**

BQ2093B

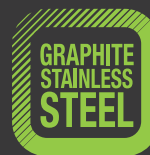
BBQ FEATURES



Supplied fully assembled.



6 Stainless Steel Burners – 12MJ/h each with individual controls.



High grade #304 stainless steel hood and exterior cabinet panels with Graphite stainless steel finish.



Double skin hood for solid structure and better heat insulation, features temperature gauge and stylish slim cool touch handle.



13MJ/h Ceramic rear burner for healthy rotisserie cooking with integrated high output 15MJ/h side burner. (not available on Twin Hood or Classic Built-In BBQs)



Easy to clean, heavy duty enamel coated cast iron plate and grill, featuring an angled self-draining system which allows cooking fats and oils to run easily into the drainage channel at the front of the BBQ.



Stainless steel flame tamers for controlled heat distribution and to minimise cooking fats flaring up.



Electronic ignition for effortless lighting.



Convenient internal lights and LEDs above control knobs.



Elevated high grade #304 stainless steel cooking and warming rack.



NOVA BBQs on trolley feature a cabinet with ample storage with convenient slide-out cylinder storage and locking castors.



AGA certified to Australian Standards. Approved for natural gas conversion. Supplied with LPG hose and regulator.

BBQ BENEFITS

GRAPHITE FINISH

Embrace the dark side with our new Graphite stainless steel finish. Modern and minimalist, yet dramatic enough to command attention, this new finish is ideal for giving your outdoor kitchen a stylish update. Perfect too to resist smudges such as finger prints and sauce splatters. The smooth dark surface also helps to hide dust, dirt and water marks, which don't stand out as prominently on the dark finish.

HEAVY DUTY & EFFICIENT

Featuring stainless steel burners with individual electronic ignition controls, you have complete control over your cooking. The heavy duty enamel coated cast iron plate and grill will heat quickly and maintain a consistent and even temperature. The easy to clean cooking surface, features an angled self-draining system which allows cooking fats and oils to run easily into the drainage channel at the front of the BBQ. And the stainless steel flame tamers control the heat distribution while reducing flare-ups.

FLEXIBLE COOKING

The integrated and powerful 15MJ/h side burner extends your outdoor cooking. While you are BBQing your favourite cut of meat or grilling vegetables, you can be creating a mouth watering sauce or jus. Or saute some vegetables as a side dish. When not using the side burner, close the lid and you have extra bench space.

A ROASTING HOOD FROM HEAVEN

Gone are the days of a dirty looking BBQ because of a dark and grimy viewing window. The NOVA Graphite features a stainless steel hood with temperature gauge so you always know the temperature inside your BBQ.

VERSATILE COOKING AND WARMING RACK

The #304 grade stainless steel elevated cooking and warming rack is perfect for keeping food warm, use it as a secondary grilling area, use it as a flare up evacuation area or use it to toast your rolls or buns perfectly for your next burger cook-up.

ELECTRONIC IGNITION

With the touch of a button, the electronic ignition will light your burners first time, every time.

MODULES

Play around with the following modules to create your very own design...



NOVA GRAPHITE SINK, BIN AND STORAGE MODULE

BQ2191

KEY FEATURES:

- NOVA Graphite Sink, Bin and Storage Module features #304 grade Graphite stainless steel fascia, doors & kick plate, with premium porcelain top and black powder coated cabinet
- Durable stylish black sink
- WELS approved hot and cold tap
- Bin included under sink
- Stylish integrated handles
- Locking castors
- Full depth cabinets



NOVA GRAPHITE STORAGE MODULE

BQ2192

KEY FEATURES:

- NOVA Graphite Storage Module features #304 grade Graphite stainless steel fascia, doors & kick plate with premium porcelain top and black powder coated cabinet
- 3 convenient shelves
- Stylish integrated handles
- Locking castors
- Full depth cabinets



NOVA GRAPHITE 3 DRAWER MODULE

BQ2193

KEY FEATURES:

- NOVA Graphite 3 Drawer Module features #304 grade Graphite stainless steel fascia, drawers & kick plate with premium porcelain top and black powder coated cabinet
- 3 large capacity drawers
- Stylish integrated handles
- Locking castors
- Full depth cabinets

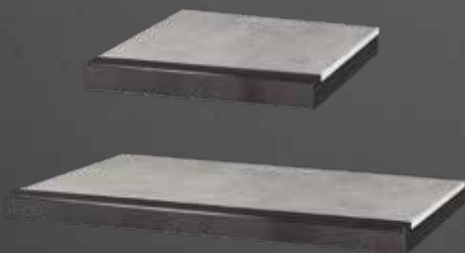
NOVA GRAPHITE PREMIUM BAR FRIDGE TOPS

BQ2197 & BQ2198

KEY FEATURES:

- If you want to add a Gasmate Premium bar fridge to your NOVA Graphite Outdoor Kitchen, it's super easy, you just use the fridge top to integrate it perfectly

- Graphite stainless steel fascia with premium porcelain top to match the NOVA Graphite modules
- Supplied fully assembled
- Available to suit the Gasmate 1 Door Premium Fridge or 2 Door Premium Fridge



FRIDGES & RANGEHOODS

GASMATE PREMIUM BAR FRIDGES

Single Door - GMF119G
Double Door - GMF229G

KEY FEATURES:

- A great and functional addition to your outdoor space
- Powered by an LG Compressor
- #430 grade brushed stainless steel exterior finish with #304 grade mirror stainless steel interior finish
- Triple glazed glass door to retain cool temperature in the fridge and cuts down UV
- Designed for outdoor undercover use - IPx4 rated
- Front vents allow installation in outdoor cabinetry with minimal clearances
- Adjustable digital thermostat for temperature control in door

- Self closing door with lock and magnetic door seal
- Heated door to reduce condensation
- Internal LED lights
- Adjustable shelves
- Height adjustable feet
- Available in 1 Door or 2 Door models



GASMATE DELUXE RANGEHOODS

120cm - GR1200
150cm - GR1500

KEY FEATURES:

- The final piece in the puzzle of creating your alfresco outdoor kitchen is a rangehood. An outdoor BBQ rangehood will eliminate smoke, smells and grease from your alfresco cooking area, but it also complements your outdoor space with style and elegance.

- Marine grade #316 stainless steel body with black tempered glass fascia creates a bold, on-trend style
- #316 Stainless Steel Body
- #316 Stainless Steel Baffle Filters - Easy to remove and clean
- Stylish black tempered glass fascia complements the NOVA Graphite outdoor kitchen beautifully
- Front Mounted LED Lighting so you can see what you are cooking
- 3 Speed, Soft-touch controls with 15-minute auto shut-off timer
- Remote Control Included
- Fully Sealed Copper Motors
- 2m Aluminium Ducting Included
- Minimum 1200mm from BBQ cooking surface to Rangehood
- Available in:
120cm Medium Wall Mounted Rangehood and 150cm Large Wall Mounted Rangehood

SPECIFICATIONS

NOVA GRAPHITE 6 BURNER BBQ

Model Number:	BQ2090
Main burner output:	6 x 12MJ/h
Side burner output:	15MJ/h
Rear burner output:	1 x 13MJ/h
Combined output:	100MJ/h
Cooking surface finish:	Enamel coated cast iron
Cooking surface:	Plate - 320 x 420mm Grill - 320 x 420mm x 2
Total cooking area: (W x D)	960 x 420mm
Overall dimension: (W x D x H)	1470 x 685 x 1200mm

NOVA GRAPHITE 6 BURNER TWIN HOOD BBQ

Model Number:	BQ2092
Main burner output:	6 x 12MJ/h
Side burner output:	N/A
Rear burner output:	1 x 13MJ/h
Combined output:	85MJ/h
Cooking surface finish:	Enamel coated cast iron
Cooking surface: (Large Hood)	Plate - 327 x 422.6mm Grill - 327 x 422.6mm
Cooking surface: (Small Hood)	Plate - 227 x 422.6mm Grill - 227 x 422.6mm
Total cooking area: (W x D)	1108 x 422mm
Overall dimension: (W x D x H)	1375 x 685 x 1180mm

NOVA GRAPHITE 6 BURNER BUILT-IN BBQ

Model Number:	BQ2090B
Main burner output:	6 x 12MJ/h
Side burner output:	15MJ/h
Rear burner output:	1 x 13MJ/h
Combined output:	100MJ/h
Cooking surface finish:	Enamel coated cast iron
Cooking surface:	Plate - 320 x 420mm Grill - 320 x 420mm x 2
Total cooking area: (W x D)	960 x 420mm
Overall dimension: (W x D x H)	1470 x 685 x 545mm

NOVA GRAPHITE 6 BURNER TWIN HOOD BUILT-IN BBQ

Model Number:	BQ2092B
Main burner output:	6 x 12MJ/h
Side burner output:	N/A
Rear burner output:	1 x 13MJ/h
Combined output:	85MJ/h
Cooking surface finish:	Enamel coated cast iron
Cooking surface: (Large Hood)	Plate - 327 x 422.6mm Grill - 327 x 422.6mm
Cooking surface: (Small Hood)	Plate - 227 x 422.6mm Grill - 227 x 422.6mm
Total cooking area: (W x D)	1108 x 422mm
Overall dimension: (W x D x H)	1375 x 685 x 545mm

NOVA GRAPHITE 6 BURNER CLASSIC BUILT-IN BBQ

Model Number:	BQ2093B
Main burner output:	6 x 12MJ/h
Side burner output:	N/A
Rear burner output:	1 x 13MJ/h
Combined output:	85MJ/h
Cooking surface finish:	Enamel coated cast iron
Cooking surface:	Plate - 320 x 420mm Grill - 320 x 420mm x 2
Total cooking area: (W x D)	640 x 420mm
Overall dimension: (W x D x H)	1105 x 685 x 545mm

NOVA GRAPHITE SINK, BIN AND STORAGE MODULE

Model Number:	BQ2191
Sink:	Nano black stainless steel
Tap:	WELS approved hot & cold tap in black colour
Bin:	Included under sink
Dimension: (W x D x H)	830 x 685 x 905mm

NOVA GRAPHITE STORAGE MODULE

Model Number:	BQ2192
Doors:	2
Shelves:	3 Convenient shelves
Dimension: (W x D x H)	830 x 685 x 905mm

NOVA GRAPHITE 3 DRAWER MODULE

Model Number:	BQ2193
Drawers:	3 Large capacity
Dimension: (W x D x H)	830 x 685 x 905mm

NOVA GRAPHITE PREMIUM 1 DOOR BAR FRIDGE TOP

Model Number:	BQ2197
---------------	--------

GASMATE SINGLE DOOR PREMIUM BAR FRIDGE

Model Number:	GMF119G
Dimension: (W x D x H)	503 x 503 x 855mm

NOVA GRAPHITE PREMIUM 2 DOOR BAR FRIDGE TOP

Model Number:	BQ2198
---------------	--------

GASMATE DOUBLE DOOR PREMIUM BAR FRIDGE

Model Number:	GMF229G
Dimension: (W x D x H)	903 x 503 x 855mm

GASMATE DELUXE RANGEHOOD 120cm

Model Number:	GR1200
Extraction capacity:	2000M ³ /Hr
Flexible ducting:	2 x 150mm Ø
Lights:	4 x LED, 12V - 1.8W
Motor capacity:	2 x 1000W
Noise level:	<80 Dba
Weight:	50Kg
Dimension: (W x D x H)	1200 x 800mm

GASMATE DELUXE RANGEHOOD 150cm

Model Number:	GR1500
Extraction capacity:	3000M ³ /Hr
Flexible ducting:	3 x 150mm Ø
Lights:	6 x LED, 12V - 1.8W
Motor capacity:	3 x 1000W
Noise level:	<90 Dba
Weight:	68Kg
Dimension: (W x D x H)	1500 x 800mm

INSTALLATION & DIMENSIONS

NOVA GRAPHITE 6 BURNER BUILT-IN BBQ

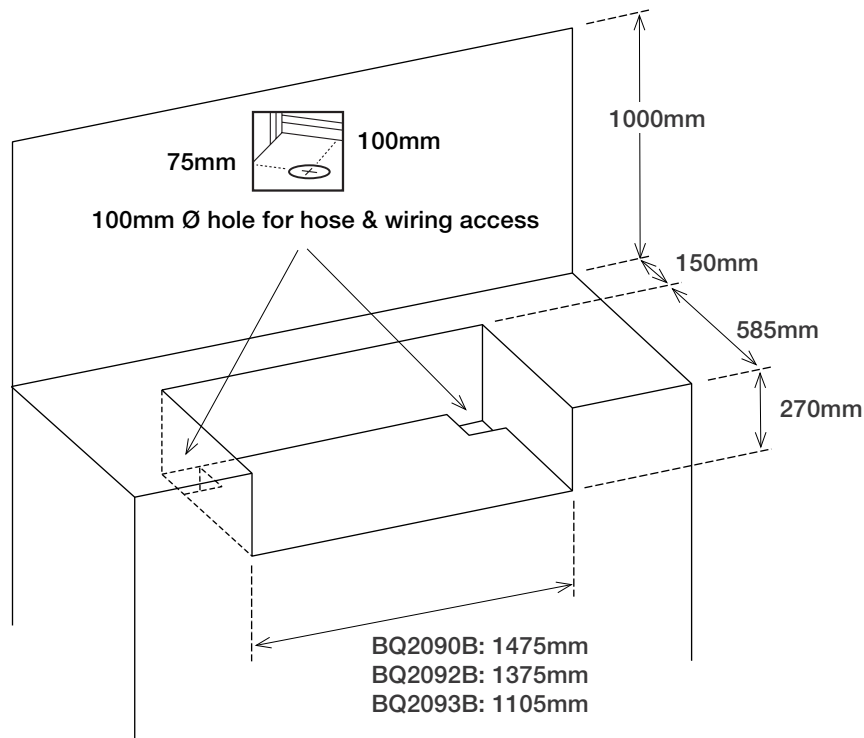
BQ2090B

NOVA GRAPHITE 6 BURNER TWIN HOOD BUILT-IN BBQ

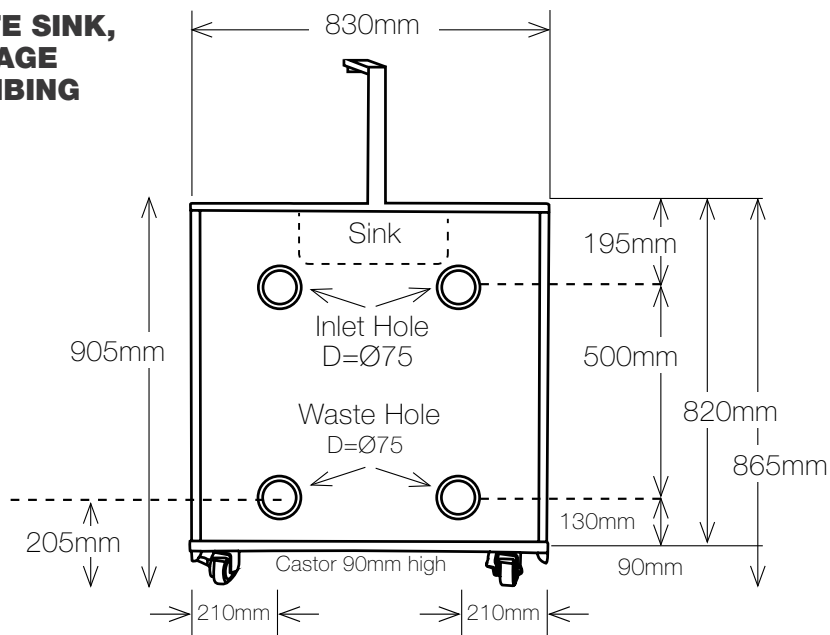
BQ2092B

NOVA GRAPHITE 6 BURNER CLASSIC BUILT-IN BBQ

BQ2093B



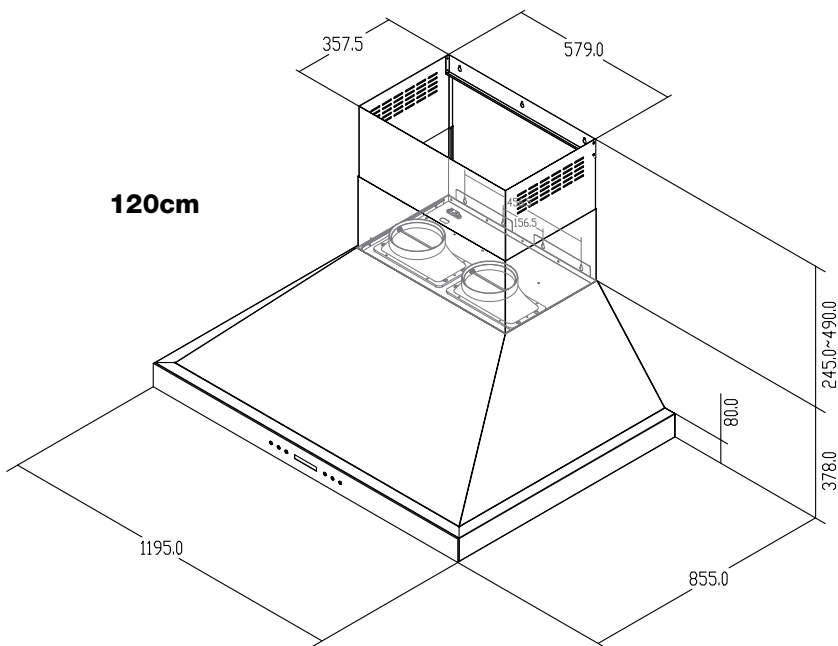
NOVA GRAPHITE SINK, BIN AND STORAGE MODULE PLUMBING DIMENSIONS



GASMATE DELUXE RANGEHOOD 120CM

GR1200

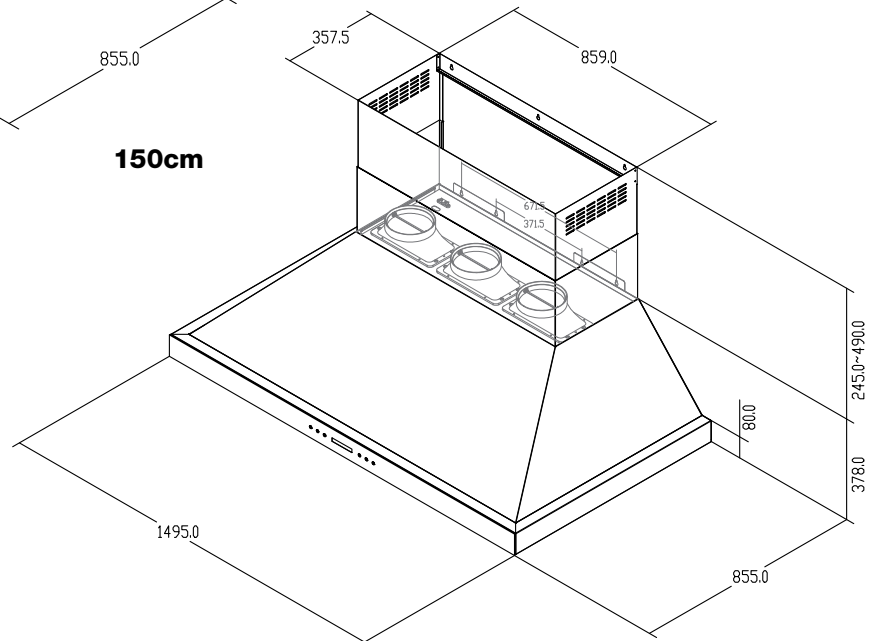
- 1 x Rangehood with 3 x 150mm duct adaptors fitted
- 2 x Chimney covers each 245mm high
- 1 x Chimney mounting bracket top
- 3 x Expanding ducts 150mm x 2m



GASMATE DELUXE RANGEHOOD 150CM

GR1500

- 1 x Rangehood with 2 x 150mm duct adaptors fitted
- 2 x Chimney covers each 245mm high
- 1 x Chimney mounting bracket top
- 2 x Expanding ducts 150mm x 2m



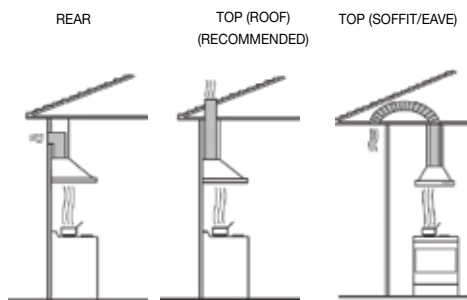
RANGEHOOD INSTALLATION

Please consider the following before commencing to install your rangehood. Your rangehood will need to be ducted to ensure it operates and complies with local and national regulations.

Duct Mounting Options

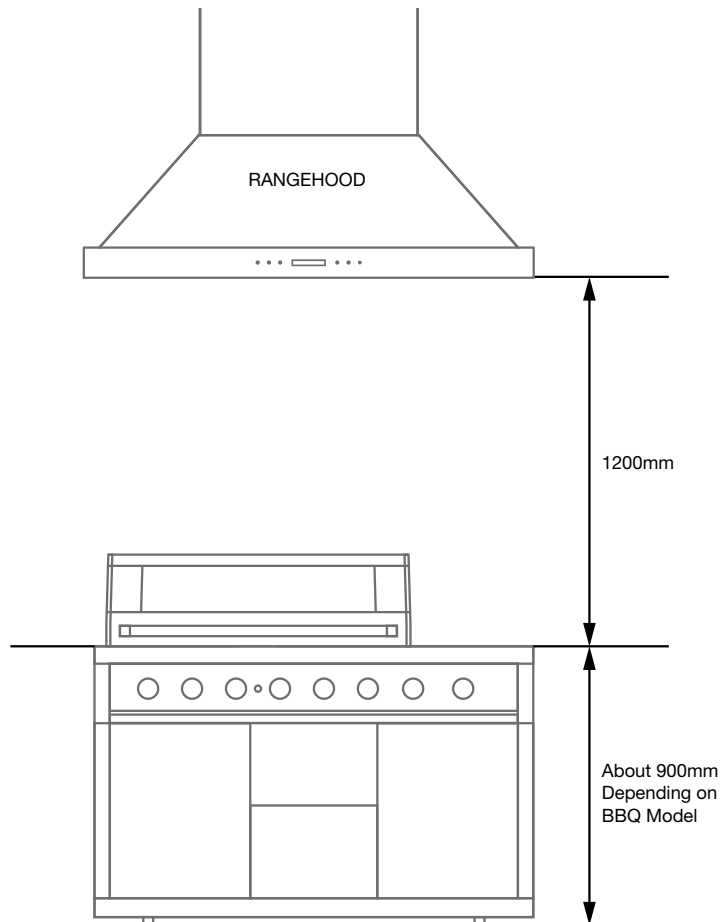
You will need some additional parts to complete these installations. All motors need to be ducted individually and the included expanding duct is 150mm diameter.

*If installing ducting at the rear or via the soffit/eave please review instruction for the reductions in ducting requirements.



The Ideal Position of the Rangehood is as follows:

1. Height above cooking surface – 1200mm
2. Distance from cooking surface to rangehood mounting bracket bottom screw hole: refer to instruction manual for exact distance.







Customer Service (Australia Only)

1300 174 876

Monday to Friday 8am - 5pm AEST

www.gasmate.com.au



Follow us on:

Facebook @GasmateAustralia

Instagram @gasmate_au

All images are for reference only. Due to product development, product and images may differ. Gasmate® is a registered trademark of Sitro Group Australia Pty. Ltd.
www.gasmate.com.au