

Ground FFL 51.180

Ground FFL 51.180

Ground FFL 51.180

WG01

Joinery Notes
 Architrave 3: Salvaged 92x20 Moulded Rimu, painted finish
 Sash: Replace existing sashes to JMF 5000 series details
 Fenestrations / Astragals: Detail to be confirmed with joiner
 Interior Frame: Allow to paint re-finish window board, frame & architraves

Hardware
 Awning Stays: Salvage, refurbish & re-use existing

WG02

Joinery Notes
 Head Apron Flashing: New 0.55 folded colour steel to match existing
 Sash: Replace existing sashes to JMF 5000 series details
 Window Frame: Allow for remedial repair of existing window frame
 Interior Frame: Allow to paint re-finish window board, frame & architraves
 Fenestrations / Astragals: Detail to be confirmed with joiner

Glass Type Double Glazed, Solux-E, Argon Filled
Sash Type Casement Sash
Hardware Casement Stays: Salvage, refurbish & re-use existing

WG 03

Glass Type Double Glazed, Solux-E, Argon Filled
Sash Type Awning Sash
 Casement Sash
 Fixed Sash

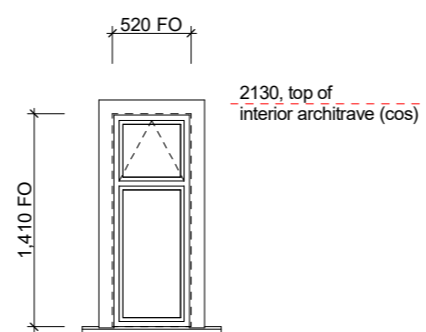
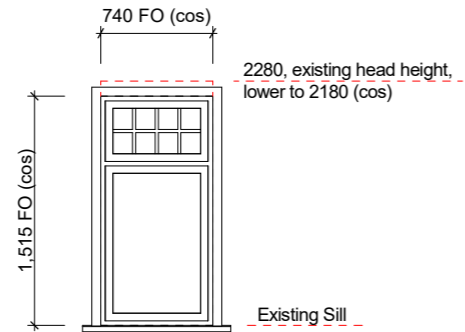
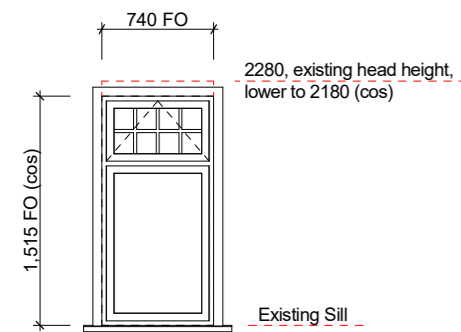
Joinery Suite JMF 5000 Series: Awning & Casement to NZS4211
Joinery Notes Exterior Facings: Ex 20mm H3.1, to match existing, paint finish
 Window Frame: H3.1 Pine clears, painted finish
 Window Sash: Cedar, paint finish, profiles to JMF details
 Fenestrations / Astragals: Detail to be confirmed with joiner

WG 04

Glass Type Double Glazed, Solux-E, Argon Filled
Sash Type Awning Sash
 Casement Sash
 Fixed Sash

Joinery Suite JMF 5000 Series: Awning & Casement to NZS4211
Joinery Notes Window Frame: H3.1 Pine clears, painted finish
 Window Sash: Cedar, paint finish, profiles to JMF details
 Exterior Facings: Ex 20mm H3.1, to match existing, paint finish
 Fenestrations / Astragals: Detail to be confirmed with joiner

Hardware Awning Stay: Miles Nelson Quadrant Stays, Florentine Bronze (FB)
 Casement Stay: Miles Nelson Telescopic Stays, Florentine Bronze (FB)



Ground FFL 51.180

Ground FFL 51.180

WG 05

Glass Type Double Glazed, Solux-E, Argon Filled
Sash Type Awning Sash
 Casement Sash
 Fixed Sash

Joinery Suite JMF 5000 Series: Awning & Casement to NZS4211
Joinery Notes Window Frame: H3.1 Pine clears, painted finish
 Window Sash: Cedar, paint finish, profiles to JMF details
 Exterior Facings: Ex 20mm H3.1, to match existing, paint finish
 Fenestrations / Astragals: Detail to be confirmed with joiner

Hardware Awning Stay: Miles Nelson Quadrant Stays, Florentine Bronze (FB)

WG 06

Glass Type Double Glazed, Solux-E, Argon Filled
Sash Type Awning Sash
 Casement Sash
 Fixed Sash

Joinery Suite JMF 5000 Series: Awning & Casement to NZS4211
Joinery Notes Window Frame: H3.1 Pine clears, painted finish
 Window Sash: Cedar, paint finish, profiles to JMF details
 Exterior Facings: Ex 20mm H3.1, to match existing, paint finish
 Fenestrations / Astragals: Detail to be confirmed with joiner

WG 07

Glass Type Double Glazed, Solux-E, Argon Filled
 Safety Glass in compliance with NZS 4223.3:2016
 Obscure Double Glazed

Sash Type Awning Sash
 Fixed Sash

Joinery Notes Architrave 1: 92x20 Moulded pine clears, painted, refer A404 for profile
 Exterior Facings: Ex 20mm H3.1, to match existing, paint finish
 Window Frame: H3.1 Pine clears, painted finish
 Window Sash: Cedar, paint finish, profiles to JMF details

Joinery Suite JMF 5000 Series: Awning & Casement to NZS4211
Hardware Awning Stay: Miles Nelson Quadrant Stays, Florentine Bronze (FB)

WG 08

Hardware Awning Stays: Salvage, refurbish & re-use existing

Joinery Notes Architrave 3: Salvaged 92x20 Moulded Rimu, painted finish
 Interior Frame: Allow to paint re-finish window board, frame & architraves
 Sash: Replace existing sashes to JMF 5000 series details

Sash Type Casement Sash
Glass Type Double Glazed, Solux-E, Argon Filled

Project:

Baldwin Allen

For: David Allen & Pip Baldwin
 At: 11 A Shirley St Karori Wellington



Novak+Middleton Limited,
 15 Everton Terrace, PO Box 12 232, Wellington 6144
 t 04 472 9729 e architects@novakmiddleton.co.nz
 www.novakmiddleton.co.nz

© Copyright Novak+Middleton Limited. All dimension to be checked on site. Copyright in all drawings, specifications and other documents and in the work executed from them remains the property of Novak+Middleton Limited.

ISSUE: Date: Comments:

a 08/03/23 Issued for Construction
b 21/04/23 Amended WG8, deleted fenestrations

Scale: 1:50

Original size: A3

Designed | Drawn: RM / CS

File Reference:
 N:\2021\2104 Baldwin Allen\3.0-Drawings\3.1-ArchCAD\CA
 \230417_CD_BaldwinAllen_CA Set.plt

Drawing:

Exterior Window Schedule

Stage of Documentation:
 Detailed Design

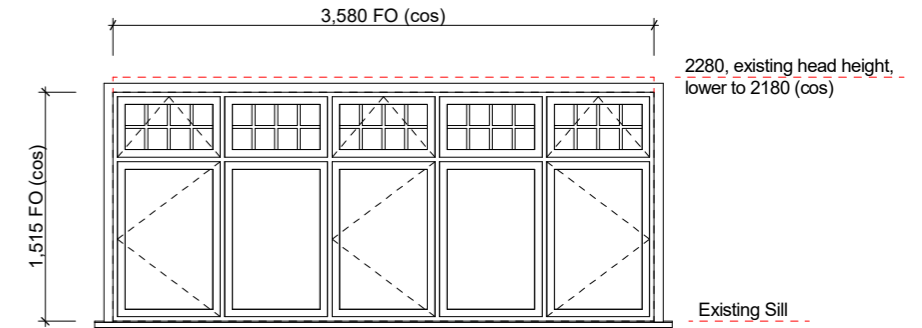
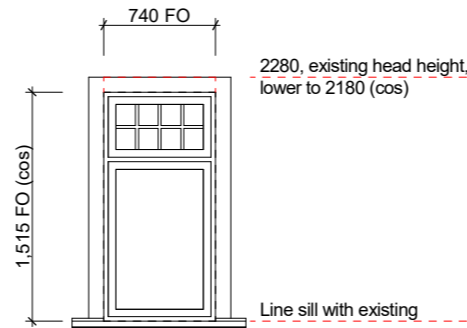
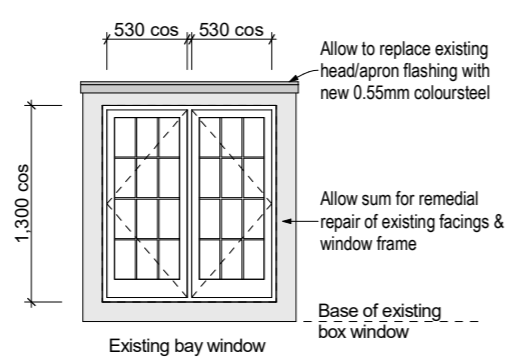
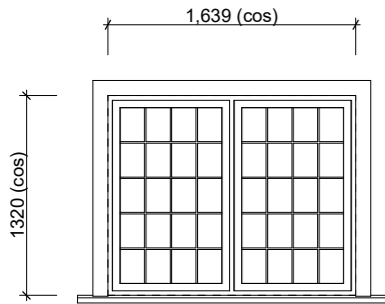
Printed: 21/04/2023

Project number:

2104

Drawing number / Issue:

A601b



Ground FFL 51.180

Ground FFL 51.180

Ground FFL 51.180

WG01

Joinery Notes
 Architrave 3: Salvaged 92x20 Moulded Rimu, painted finish
 Sash: Replace existing sashes to JMF 5000 series details
 Fenestrations / Astragals: Detail to be confirmed with joiner
 Interior Frame: Allow to paint re-finish window board, frame & architraves

Hardware
 Awning Stays: Salvage, refurbish & re-use existing

WG02

Joinery Notes
 Head Apron Flashing: New 0.55 folded colour steel to match existing
 Sash: Replace existing sashes to JMF 5000 series details
 Window Frame: Allow for remedial repair of existing window frame
 Interior Frame: Allow to paint re-finish window board, frame & architraves
 Fenestrations / Astragals: Detail to be confirmed with joiner

Glass Type Double Glazed, Solux-E, Argon Filled
Sash Type Casement Sash
Hardware Casement Stays: Salvage, refurbish & re-use existing

WG 03

Glass Type Double Glazed, Solux-E, Argon Filled
Sash Type Awning Sash
 Casement Sash
 Fixed Sash

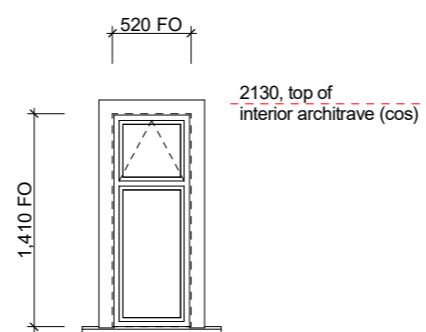
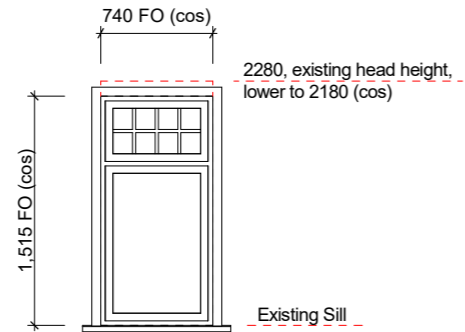
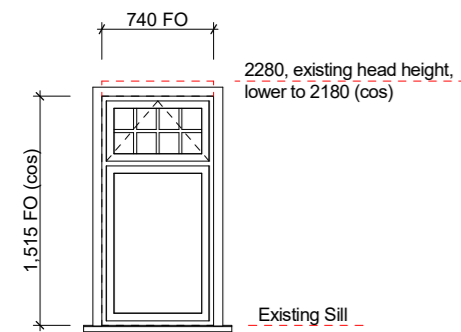
Joinery Suite JMF 5000 Series: Awning & Casement to NZS4211
Joinery Notes Exterior Facings: Ex 20mm H3.1, to match existing, paint finish
 Window Frame: H3.1 Pine clears, painted finish
 Window Sash: Cedar, paint finish, profiles to JMF details
 Fenestrations / Astragals: Detail to be confirmed with joiner

WG 04

Glass Type Double Glazed, Solux-E, Argon Filled
Sash Type Awning Sash
 Casement Sash
 Fixed Sash

Joinery Suite JMF 5000 Series: Awning & Casement to NZS4211
Joinery Notes Window Frame: H3.1 Pine clears, painted finish
 Window Sash: Cedar, paint finish, profiles to JMF details
 Exterior Facings: Ex 20mm H3.1, to match existing, paint finish
 Fenestrations / Astragals: Detail to be confirmed with joiner

Hardware Awning Stay: Miles Nelson Quadrant Stays, Florentine Bronze (FB)
 Casement Stay: Miles Nelson Telescopic Stays, Florentine Bronze (FB)



Ground FFL 51.180

Ground FFL 51.180

WG 05

Glass Type Double Glazed, Solux-E, Argon Filled
Sash Type Awning Sash
 Casement Sash
 Fixed Sash

Joinery Suite JMF 5000 Series: Awning & Casement to NZS4211
Joinery Notes Window Frame: H3.1 Pine clears, painted finish
 Window Sash: Cedar, paint finish, profiles to JMF details
 Exterior Facings: Ex 20mm H3.1, to match existing, paint finish
 Fenestrations / Astragals: Detail to be confirmed with joiner

Hardware Awning Stay: Miles Nelson Quadrant Stays, Florentine Bronze (FB)

WG 06

Glass Type Double Glazed, Solux-E, Argon Filled
Sash Type Awning Sash
 Casement Sash
 Fixed Sash

Joinery Suite JMF 5000 Series: Awning & Casement to NZS4211
Joinery Notes Window Frame: H3.1 Pine clears, painted finish
 Window Sash: Cedar, paint finish, profiles to JMF details
 Exterior Facings: Ex 20mm H3.1, to match existing, paint finish
 Fenestrations / Astragals: Detail to be confirmed with joiner

WG 07

Glass Type Double Glazed, Solux-E, Argon Filled
 Safety Glass in compliance with NZS 4223.3:2016
 Obscure Double Glazed

Sash Type Awning Sash
 Fixed Sash

Joinery Notes Architrave 1: 92x20 Moulded pine clears, painted, refer A404 for profile
 Exterior Facings: Ex 20mm H3.1, to match existing, paint finish
 Window Frame: H3.1 Pine clears, painted finish
 Window Sash: Cedar, paint finish, profiles to JMF details

Joinery Suite JMF 5000 Series: Awning & Casement to NZS4211
Hardware Awning Stay: Miles Nelson Quadrant Stays, Florentine Bronze (FB)

WG 08

Hardware Awning Stays: Salvage, refurbish & re-use existing

Joinery Notes Architrave 3: Salvaged 92x20 Moulded Rimu, painted finish
 Interior Frame: Allow to paint re-finish window board, frame & architraves
 Sash: Replace existing sashes to JMF 5000 series details

Sash Type Casement Sash
Glass Type Double Glazed, Solux-E, Argon Filled

Project:

Baldwin Allen

For: David Allen & Pip Baldwin
 At: 11 A Shirley St Karori Wellington



Novak+Middleton Limited,
 15 Everton Terrace, PO Box 12 232, Wellington 6144
 t 04 472 9729 e architects@novakmiddleton.co.nz
 www.novakmiddleton.co.nz

© Copyright Novak+Middleton Limited. All dimension to be checked on site. Copyright in all drawings, specifications and other documents and in the work executed from them remains the property of Novak+Middleton Limited.

ISSUE: Date: Comments:

a	08/03/23	Issued for Construction
b	21/04/23	Amended WG8, deleted fenestrations

Scale: 1:50

Original size: A3

Designed | Drawn: RM / CS

File Reference:
 N:\2021\2104 Baldwin Allen\3.0-Drawings\3.1-ArchCAD\CA
 \230417_CD_BaldwinAllen_CA Set.plt

Drawing:

Exterior Window Schedule

Stage of Documentation:
 Detailed Design

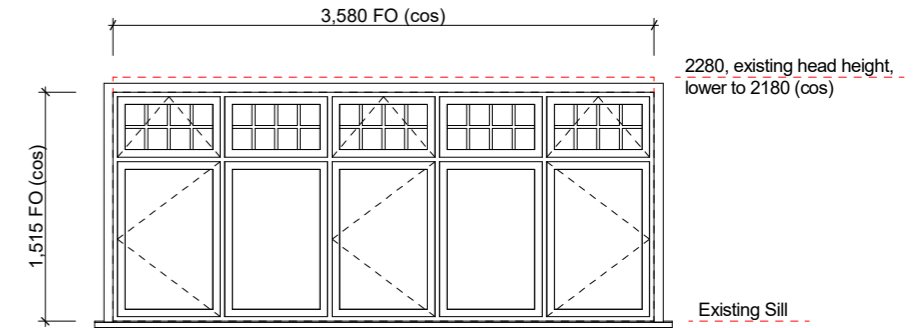
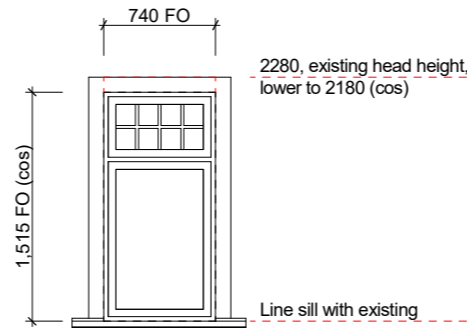
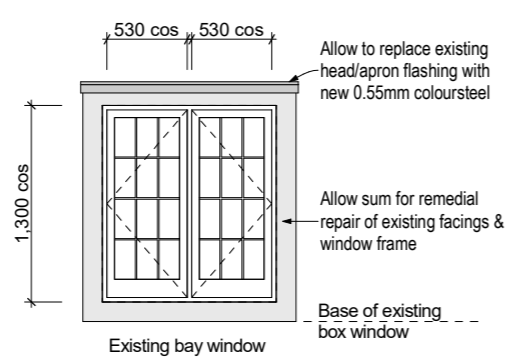
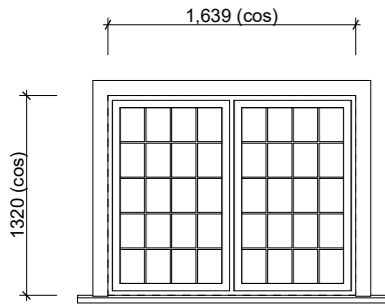
Printed: 21/04/2023

Project number:

2104

Drawing number / Issue:

A601b



Ground FFL 51.180

Ground FFL 51.180

Ground FFL 51.180

WG01

Joinery Notes
 Architrave 3: Salvaged 92x20 Moulded Rimu, painted finish
 Sash: Replace existing sashes to JMF 5000 series details
 Fenestrations / Astragals: Detail to be confirmed with joiner
 Interior Frame: Allow to paint re-finish window board, frame & architraves

Hardware
 Awning Stays: Salvage, refurbish & re-use existing

WG02

Joinery Notes
 Head Apron Flashing: New 0.55 folded colour steel to match existing
 Sash: Replace existing sashes to JMF 5000 series details
 Window Frame: Allow for remedial repair of existing window frame
 Interior Frame: Allow to paint re-finish window board, frame & architraves
 Fenestrations / Astragals: Detail to be confirmed with joiner

Glass Type Double Glazed, Solux-E, Argon Filled
Sash Type Casement Sash
Hardware Casement Stays: Salvage, refurbish & re-use existing

WG 03

Glass Type Double Glazed, Solux-E, Argon Filled
Sash Type Awning Sash
 Casement Sash
 Fixed Sash

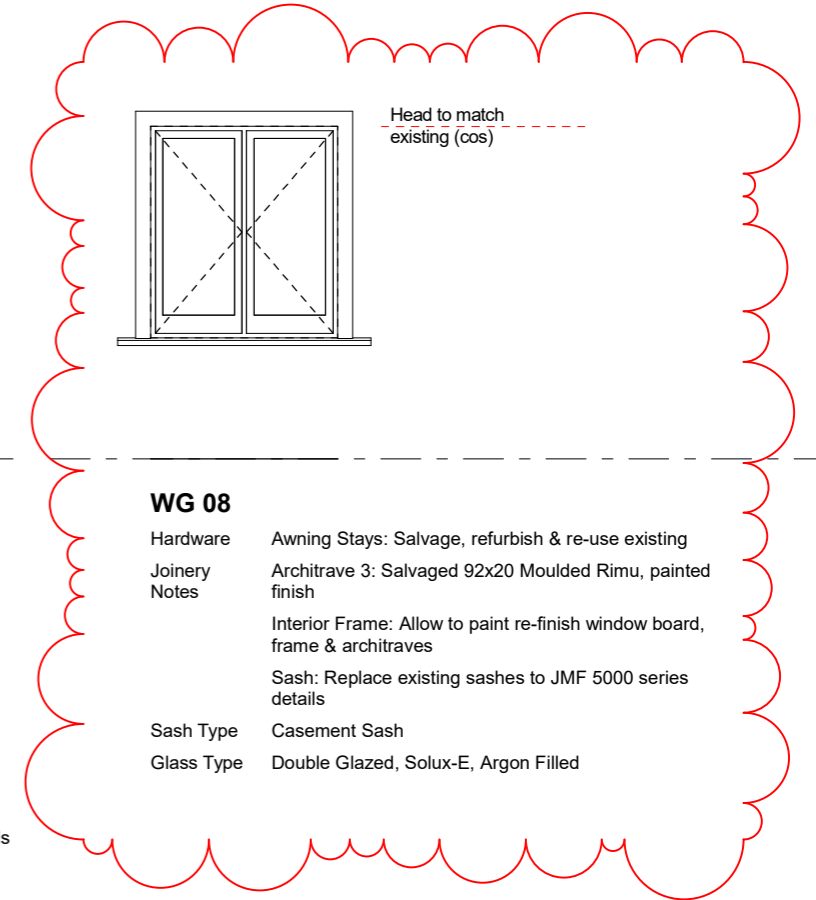
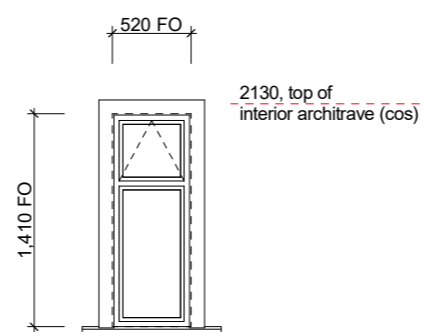
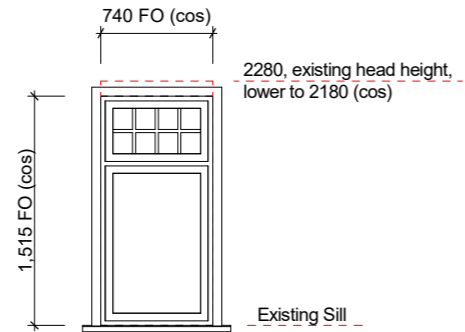
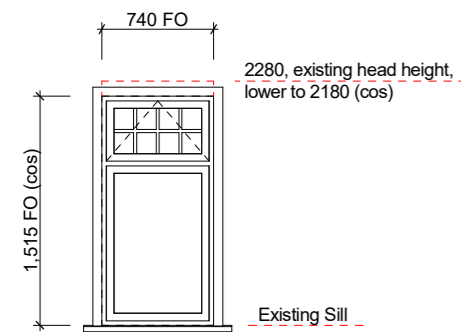
Joinery Suite JMF 5000 Series: Awning & Casement to NZS4211
Joinery Notes Exterior Facings: Ex 20mm H3.1, to match existing, paint finish
 Window Frame: H3.1 Pine clears, painted finish
 Window Sash: Cedar, paint finish, profiles to JMF details
 Fenestrations / Astragals: Detail to be confirmed with joiner

WG 04

Glass Type Double Glazed, Solux-E, Argon Filled
Sash Type Awning Sash
 Casement Sash
 Fixed Sash

Joinery Suite JMF 5000 Series: Awning & Casement to NZS4211
Joinery Notes Window Frame: H3.1 Pine clears, painted finish
 Window Sash: Cedar, paint finish, profiles to JMF details
 Exterior Facings: Ex 20mm H3.1, to match existing, paint finish
 Fenestrations / Astragals: Detail to be confirmed with joiner

Hardware Awning Stay: Miles Nelson Quadrant Stays, Florentine Bronze (FB)
 Casement Stay: Miles Nelson Telescopic Stays, Florentine Bronze (FB)



Ground FFL 51.180

Ground FFL 51.180

WG 05

Glass Type Double Glazed, Solux-E, Argon Filled
Sash Type Awning Sash
 Casement Sash
 Fixed Sash

Joinery Suite JMF 5000 Series: Awning & Casement to NZS4211
Joinery Notes Window Frame: H3.1 Pine clears, painted finish
 Window Sash: Cedar, paint finish, profiles to JMF details
 Exterior Facings: Ex 20mm H3.1, to match existing, paint finish
 Fenestrations / Astragals: Detail to be confirmed with joiner

Hardware Awning Stay: Miles Nelson Quadrant Stays, Florentine Bronze (FB)

WG 06

Glass Type Double Glazed, Solux-E, Argon Filled
Sash Type Awning Sash
 Casement Sash
 Fixed Sash

Joinery Suite JMF 5000 Series: Awning & Casement to NZS4211
Joinery Notes Window Frame: H3.1 Pine clears, painted finish
 Window Sash: Cedar, paint finish, profiles to JMF details
 Exterior Facings: Ex 20mm H3.1, to match existing, paint finish
 Fenestrations / Astragals: Detail to be confirmed with joiner

WG 07

Glass Type Double Glazed, Solux-E, Argon Filled
 Safety Glass in compliance with NZS 4223.3:2016
 Obscure Double Glazed

Sash Type Awning Sash
 Fixed Sash

Joinery Notes Architrave 1: 92x20 Moulded pine clears, painted, refer A404 for profile
 Exterior Facings: Ex 20mm H3.1, to match existing, paint finish
 Window Frame: H3.1 Pine clears, painted finish
 Window Sash: Cedar, paint finish, profiles to JMF details

Joinery Suite JMF 5000 Series: Awning & Casement to NZS4211
Hardware Awning Stay: Miles Nelson Quadrant Stays, Florentine Bronze (FB)

WG 08

Hardware Awning Stays: Salvage, refurbish & re-use existing

Joinery Notes Architrave 3: Salvaged 92x20 Moulded Rimu, painted finish
 Interior Frame: Allow to paint re-finish window board, frame & architraves
 Sash: Replace existing sashes to JMF 5000 series details

Sash Type Casement Sash
Glass Type Double Glazed, Solux-E, Argon Filled

Project:

Baldwin Allen

For: David Allen & Pip Baldwin
 At: 11 A Shirley St Karori Wellington



Novak+Middleton Limited,
 15 Everton Terrace, PO Box 12 232, Wellington 6144
 t 04 472 9729 e architects@novakmiddleton.co.nz
 www.novakmiddleton.co.nz

© Copyright Novak+Middleton Limited. All dimension to be checked on site. Copyright in all drawings, specifications and other documents and in the work executed from them remains the property of Novak+Middleton Limited.

ISSUE: Date: Comments:

a 08/03/23 Issued for Construction
b 21/04/23 Amended WG8, deleted fenestrations

Scale: 1:50

Original size: A3

Designed | Drawn: RM / CS

File Reference:
 N:\2021\2104 Baldwin Allen\3.0-Drawings\3.1-ArchCAD\CA
 \230417_CD_BaldwinAllen_CA Set.plt

Drawing:

Exterior Window Schedule

Stage of Documentation:
 Detailed Design

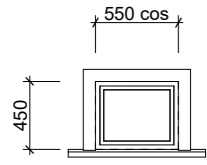
Printed: 21/04/2023

Project number:

2104

Drawing number / Issue:

A601b

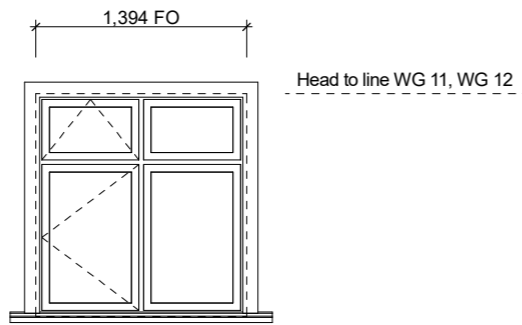


Ground FFL 51.180

WG 09

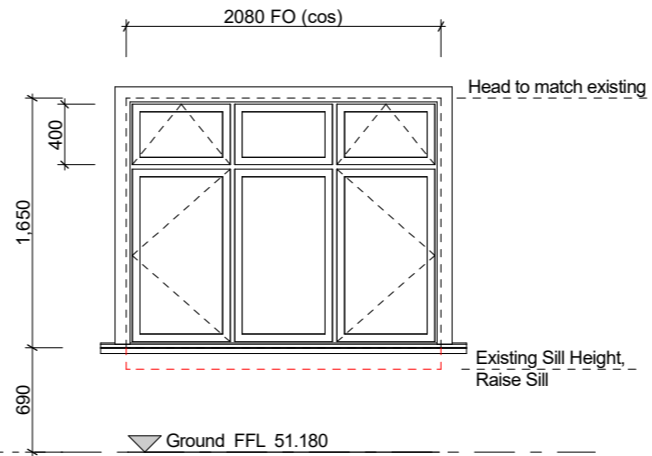
- Glass Type Double Glazed, Solux-E, Argon Filled
- Hardware Casement Stays: Salvage, refurbish & re-use existing
- Joinery Notes Architrave 3: Salvaged 92x20 Moulded Rimu, painted finish
- Interior Frame: Allow to paint re-finish window board, frame & architraves
- Sash: Replace existing sashes to JMF 5000 series details
- Window Frame: Allow for remedial repair of existing window frame
- Sash Type Fixed Sash

WG 09 Deleted



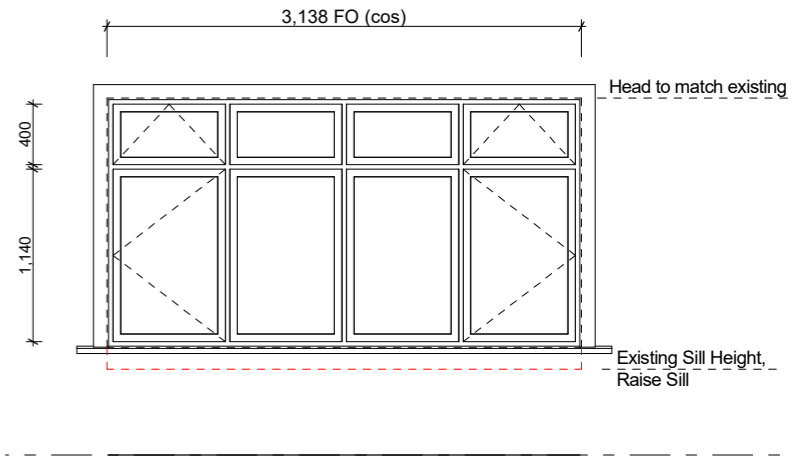
WG 10

- Glass Type Double Glazed, Solux-E, Argon Filled
- Sash Type Awning Sash
- Casement Sash
- Fixed Sash
- Joinery Notes Architrave 1: 92x20 Moulded pine clears, painted, refer A404 for profile
- Window Frame: H3.1 Pine clears, painted finish
- Window Sash: Cedar, paint finish, profiles to JMF details
- Joinery Suite JMF 5000 Series: Awning & Casement to NZS4211
- Hardware Awning Stay: Miles Nelson Quadrant Stays, Florentine Bronze (FB)
- Casement Stay: Miles Nelson Telescopic Stays, Florentine Bronze (FB)



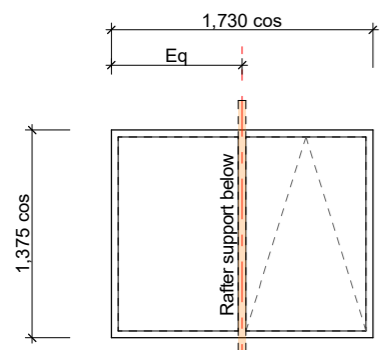
WG 11

- Glass Type Double Glazed, Solux-E, Argon Filled
- Sash Type Awning Sash
- Casement Sash
- Fixed Sash
- Joinery Notes Architrave 1: 92x20 Moulded pine clears, painted, refer A404 for profile
- Window Frame: H3.1 Pine clears, painted finish
- Window Sash: Cedar, paint finish, profiles to JMF details
- Joinery Suite JMF 5000 Series: Awning & Casement to NZS4211
- Hardware Awning Stay: Miles Nelson Quadrant Stays, Florentine Bronze (FB)
- Casement Stay: Miles Nelson Telescopic Stays, Florentine Bronze (FB)



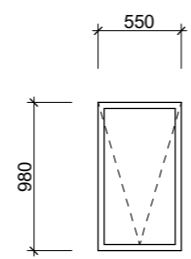
WG 12

- Glass Type Double Glazed, Solux-E, Argon Filled
- Sash Type Awning Sash
- Casement Sash
- Fixed Sash
- Joinery Notes Architrave 1: 92x20 Moulded pine clears, painted, refer A404 for profile
- Window Frame: H3.1 Pine clears, painted finish
- Window Sash: Cedar, paint finish, profiles to JMF details
- Joinery Suite JMF 5000 Series: Awning & Casement to NZS4211
- Hardware Awning Stay: Miles Nelson Quadrant Stays, Florentine Bronze (FB)
- Casement Stay: Miles Nelson Telescopic Stays, Florentine Bronze (FB)



SK 01

- Suite: Alpac Thermal Heart roof glazing supplied by Wellington Windows & Doors
- One side electric opener
- Glazing: Double Glazed, Solux E, Argon Filled
- Exterior Frame Colour: Powdercoated TBC



SK 02

- Suite: Velux Skylight (C04) 550x980 VSS
- Glazing: Double Glazed, Solux E, Argon Filled
- Exterior Frame Colour: Powdercoated TBC

Project:

Baldwin Allen

For: David Allen & Pip Baldwin
At: 11 A Shirley St Karori Wellington



Novak+Middleton Limited,
15 Everton Terrace, PO Box 12 232, Wellington 6144
t 04 472 9729 e architects@novakmiddleton.co.nz
www.novakmiddleton.co.nz

© Copyright Novak+Middleton Limited. All dimension to be checked on site. Copyright in all drawings, specifications and other documents and in the work executed from them remains the property of Novak+Middleton Limited.

ISSUE: Date: Comments:

a 08/03/23 Issued for Construction

Scale: 1:50

Original size: A3

Designed | Drawn: RM / CS

File Reference:
N:\2021\2104 Baldwin Allen\3.0-Drawings\3.1-ArchCAD\CA
V230417_CD_BaldwinAllen_CA Set.plt

Drawing:

Exterior Window Schedule

Stage of Documentation:
Detailed Design

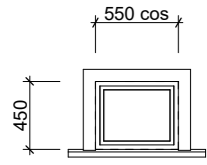
Printed: 21/04/2023

Project number:

2104

Drawing number / Issue:

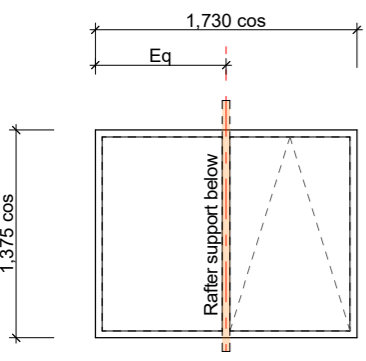
A602a



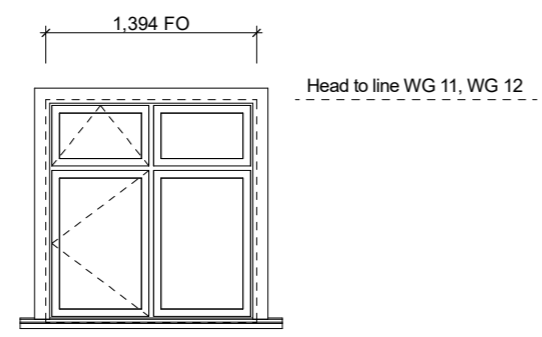
Ground FFL 51.180

WG 09

Glass Type	Double Glazed, Solux-E, Argon Filled
Hardware	Casement Stays: Salvage, refurbish & re-use existing
Joinery Notes	Architrave 3: Salvaged 92x20 Moulded Rimu, painted finish Interior Frame: Allow to paint re-finish window board, frame & architraves Sash: Replace existing sashes to JMF 5000 series details Window Frame: Allow for remedial repair of existing window frame
Sash Type	Fixed Sash

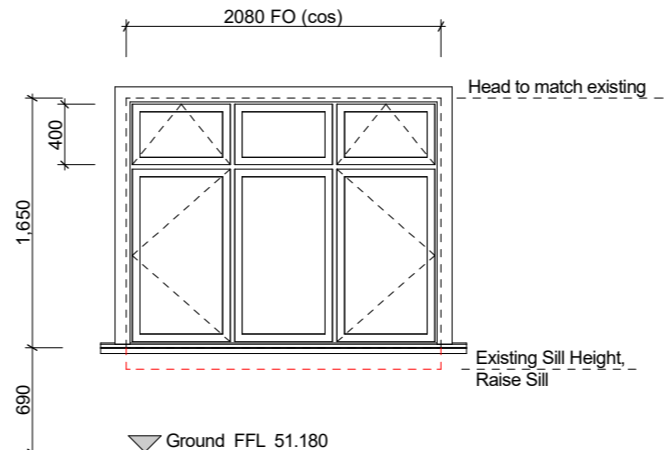


SK 01
Suite: Alpac Thermal Heart roof glazing supplied by Wellington Windows & Doors
One side electric opener
Glazing: Double Glazed, Solux E, Argon Filled
Exterior Frame Colour: Powdercoated TBC



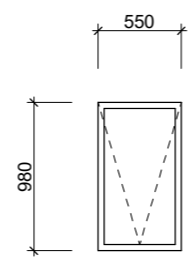
WG 10

Glass Type	Double Glazed, Solux-E, Argon Filled
Sash Type	Awning Sash Casement Sash Fixed Sash
Joinery Notes	Architrave 1: 92x20 Moulded pine clears, painted, refer A404 for profile Window Frame: H3.1 Pine clears, painted finish Window Sash: Cedar, paint finish, profiles to JMF details
Joinery Suite	JMF 5000 Series: Awning & Casement to NZS4211
Hardware	Awning Stay: Miles Nelson Quadrant Stays, Florentine Bronze (FB) Casement Stay: Miles Nelson Telescopic Stays, Florentine Bronze (FB)

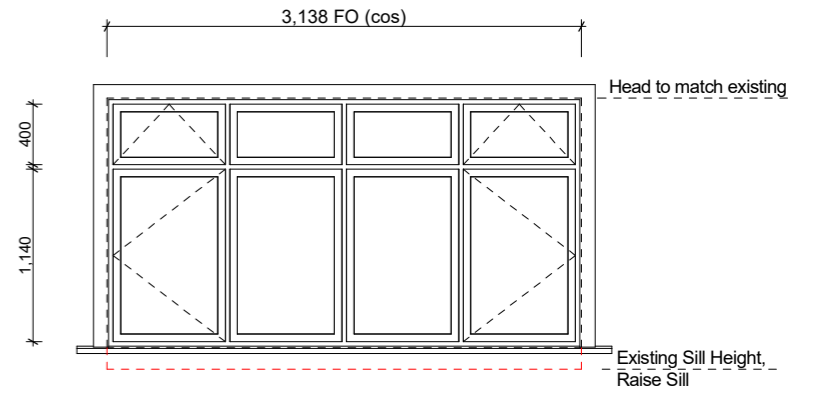


WG 11

Glass Type	Double Glazed, Solux-E, Argon Filled
Sash Type	Awning Sash Casement Sash Fixed Sash
Joinery Notes	Architrave 1: 92x20 Moulded pine clears, painted, refer A404 for profile Window Frame: H3.1 Pine clears, painted finish Window Sash: Cedar, paint finish, profiles to JMF details
Joinery Suite	JMF 5000 Series: Awning & Casement to NZS4211
Hardware	Awning Stay: Miles Nelson Quadrant Stays, Florentine Bronze (FB) Casement Stay: Miles Nelson Telescopic Stays, Florentine Bronze (FB)

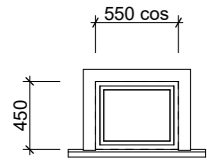


SK 02
Suite: Velux Skylight (C04) 550x980 VSS
Glazing: Double Glazed, Solux E, Argon Filled
Exterior Frame Colour: Powdercoated TBC



WG 12

Glass Type	Double Glazed, Solux-E, Argon Filled
Sash Type	Awning Sash Casement Sash Fixed Sash
Joinery Notes	Architrave 1: 92x20 Moulded pine clears, painted, refer A404 for profile Window Frame: H3.1 Pine clears, painted finish Window Sash: Cedar, paint finish, profiles to JMF details
Joinery Suite	JMF 5000 Series: Awning & Casement to NZS4211
Hardware	Awning Stay: Miles Nelson Quadrant Stays, Florentine Bronze (FB) Casement Stay: Miles Nelson Telescopic Stays, Florentine Bronze (FB)

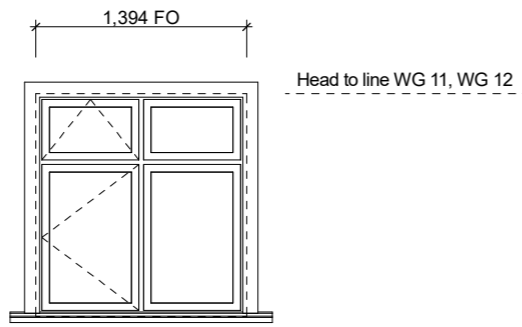


Ground FFL 51.180

WG 09

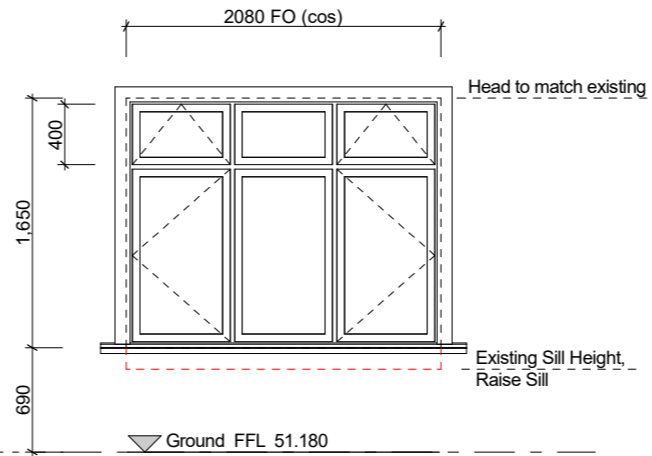
- Glass Type Double Glazed, Solux-E, Argon Filled
- Hardware Casement Stays: Salvage, refurbish & re-use existing
- Joinery Notes Architrave 3: Salvaged 92x20 Moulded Rimu, painted finish
- Interior Frame: Allow to paint re-finish window board, frame & architraves
- Sash: Replace existing sashes to JMF 5000 series details
- Window Frame: Allow for remedial repair of existing window frame
- Sash Type Fixed Sash

WG 09 Deleted



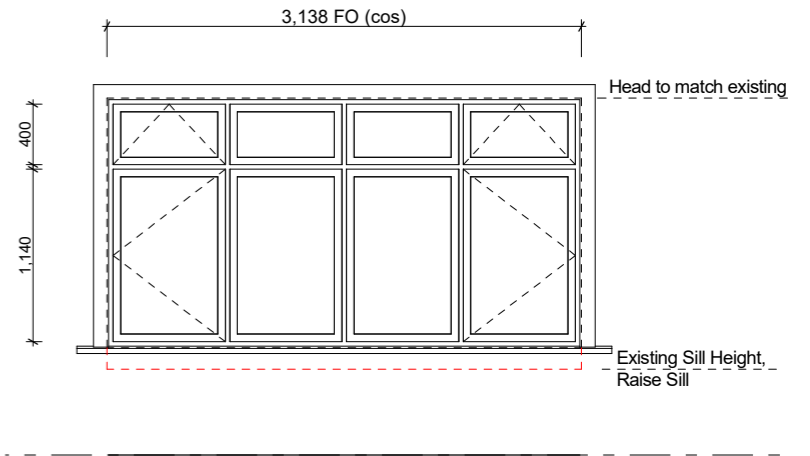
WG 10

- Glass Type Double Glazed, Solux-E, Argon Filled
- Sash Type Awning Sash
- Casement Sash
- Fixed Sash
- Joinery Notes Architrave 1: 92x20 Moulded pine clears, painted, refer A404 for profile
- Window Frame: H3.1 Pine clears, painted finish
- Window Sash: Cedar, paint finish, profiles to JMF details
- Joinery Suite JMF 5000 Series: Awning & Casement to NZS4211
- Hardware Awning Stay: Miles Nelson Quadrant Stays, Florentine Bronze (FB)
- Casement Stay: Miles Nelson Telescopic Stays, Florentine Bronze (FB)



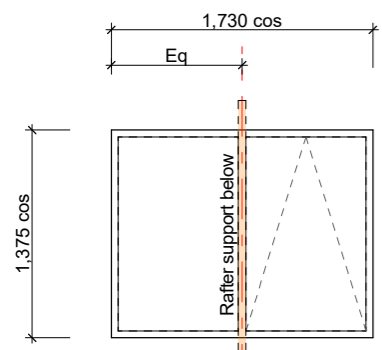
WG 11

- Glass Type Double Glazed, Solux-E, Argon Filled
- Sash Type Awning Sash
- Casement Sash
- Fixed Sash
- Joinery Notes Architrave 1: 92x20 Moulded pine clears, painted, refer A404 for profile
- Window Frame: H3.1 Pine clears, painted finish
- Window Sash: Cedar, paint finish, profiles to JMF details
- Joinery Suite JMF 5000 Series: Awning & Casement to NZS4211
- Hardware Awning Stay: Miles Nelson Quadrant Stays, Florentine Bronze (FB)
- Casement Stay: Miles Nelson Telescopic Stays, Florentine Bronze (FB)



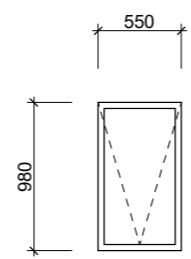
WG 12

- Glass Type Double Glazed, Solux-E, Argon Filled
- Sash Type Awning Sash
- Casement Sash
- Fixed Sash
- Joinery Notes Architrave 1: 92x20 Moulded pine clears, painted, refer A404 for profile
- Window Frame: H3.1 Pine clears, painted finish
- Window Sash: Cedar, paint finish, profiles to JMF details
- Joinery Suite JMF 5000 Series: Awning & Casement to NZS4211
- Hardware Awning Stay: Miles Nelson Quadrant Stays, Florentine Bronze (FB)
- Casement Stay: Miles Nelson Telescopic Stays, Florentine Bronze (FB)



SK 01

- Suite: Alpac Thermal Heart roof glazing supplied by Wellington Windows & Doors
- One side electric opener
- Glazing: Double Glazed, Solux E, Argon Filled
- Exterior Frame Colour: Powdercoated TBC



SK 02

- Suite: Velux Skylight (C04) 550x980 VSS
- Glazing: Double Glazed, Solux E, Argon Filled
- Exterior Frame Colour: Powdercoated TBC

Project:

Baldwin Allen

For: David Allen & Pip Baldwin
At: 11 A Shirley St Karori Wellington



Novak+Middleton Limited,
15 Everton Terrace, PO Box 12 232, Wellington 6144
t 04 472 9729 e architects@novakmiddleton.co.nz
www.novakmiddleton.co.nz

© Copyright Novak+Middleton Limited. All dimension to be checked on site. Copyright in all drawings, specifications and other documents and in the work executed from them remains the property of Novak+Middleton Limited.

ISSUE: Date: Comments:

a 08/03/23 Issued for Construction

Scale: 1:50

Original size: A3

Designed | Drawn: RM / CS

File Reference:
N:\2021\2104 Baldwin Allen\3.0-Drawings\3.1-ArchCAD\CA
V230417_CD_BaldwinAllen_CA Set.plt

Drawing:

Exterior Window Schedule

Stage of Documentation:
Detailed Design

Printed: 21/04/2023

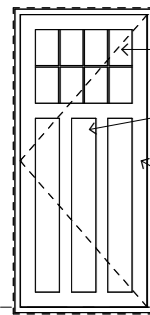
Project number:

2104

Drawing number / Issue:

A602a

COS



- Head to line with existing (cos)
- New double glazed lead light, 2 x rows to line through with WG 01 glazing
- Potentially re-use existing brass door knob
- New feature door handle, TBC by client

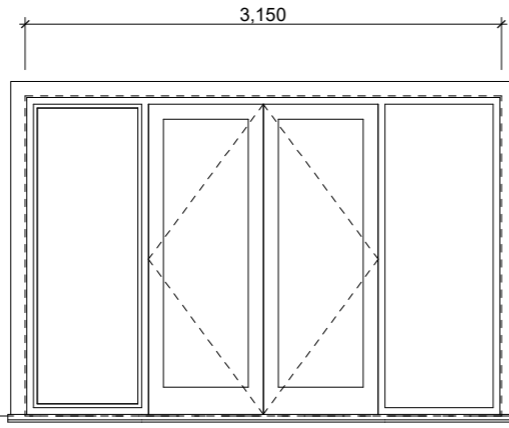
ED 01

Door Type Single Hinged Door
Hardware 100MM S.S Butt hinge
Joinery Notes Door Frame: H3.1 Pine clears painted, profiles to JMF standard details

Door Sill: Hardwood, painted finish to standard JMF profiles
Exterior Facings: Ex 20mm H3.1, to match existing, paint finish

Joinery Suite JMF 7000 Series: Hinged & French Door to NZS4211
Door Leaf Solid Core

2097 cos
To match existing



ED 02

Glass Type Double Glazed, Solux-E, Argon Filled
 Safety Glass in compliance with NZS 4223.3:2016

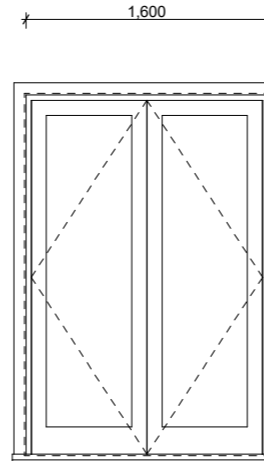
Joinery Notes Architrave 1: 92x20 Moulded pine clears, painted, refer A404 for profile
 Exterior Facings: Ex 20mm H3.1, to match existing, paint finish

Finish Painted Finish, refer resene specification

Sash Type Hinged Door
 Fixed Pane Sidelight

Hardware 100MM S.S Butt hinge
 Door Hardware: To be confirmed by client

Joinery Suite JMF 7000 Series: Hinged & French Door to NZS4211



ED 04

Glass Type Double Glazed, Solux-E, Argon Filled
 Safety Glass in compliance with NZS 4223.3:2016

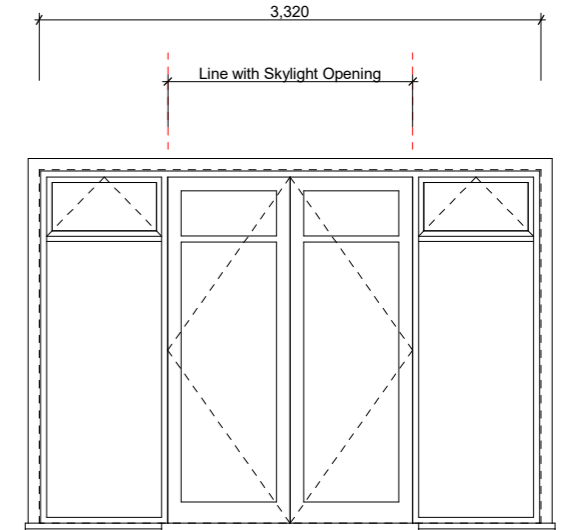
Joinery Notes Architrave 1: 92x20 Moulded pine clears, painted, refer A404 for profile
 Exterior Facings: Ex 20mm H3.1, to match existing, paint finish
 Door Frame: H3.1 Pine clears painted, profiles to JMF standard details

Door Sill: Hardwood, painted finish to standard JMF profiles
 Glazed Door Frame: Cedar, painted, profiles to JMF standard details

Finish Painted Finish, refer resene specification

Sash Type Fixed Pane

Joinery Suite JMF 7000 Series: Hinged & French Door to NZS4211
Door Type Single Hinged Door



ED 05

Door Type Single Hinged Door
Glass Type Double Glazed, Solux-E, Argon Filled
Hardware 100MM S.S Butt hinge
 Door Hardware: To be confirmed by client
 Mortice Lock
 Selected 2 Lever Mortice Lock - 44mm Backset

Joinery Notes Architrave 1: 92x20 Moulded pine clears, painted, refer A404 for profile
 Door Frame: H3.1 Pine clears painted, profiles to JMF standard details

Exterior Facings: Ex 20mm H3.1, to match existing, paint finish
 Glazed Door Frame: Cedar, painted, profiles to JMF standard details

Joinery Suite JMF 7000 Series: Hinged & French Door to NZS4211
Sash Type Awning Sash
 Fixed Sash
 Hinged Door

Head to line with WG 12
Line through with WG 12 Awning

Project:

Baldwin Allen

For: David Allen & Pip Baldwin
At: 11 A Shirley St Karori Wellington



Novak+Middleton Limited,
15 Everton Terrace, PO Box 12 232, Wellington 6144
t 04 472 9729 e architects@novakmiddleton.co.nz
www.novakmiddleton.co.nz

© Copyright Novak+Middleton Limited. All dimension to be checked on site. Copyright in all drawings, specifications and other documents and in the work executed from them remains the property of Novak+Middleton Limited.

ISSUE:

Date:

Comments:

a
b

08/03/23
21/04/23

Issued for Construction
Updated ED 01 to reflect discussions on site

Scale: 1:50

Original size: A3

Designed | Drawn: RM / CS

File Reference:
N:\2021\2104 Baldwin Allen\3.0-Drawings\3.1-Arch\CAD\CA
\230417_CD_BaldwinAllen_CA Set.pln

Drawing:

Exterior Door Schedule

Stage of Documentation:
Detailed Design

Printed: 21/04/2023

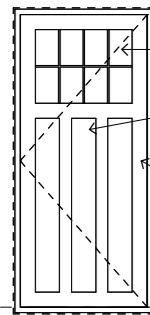
Project number:

2104

Drawing number / Issue:

A603b

COS



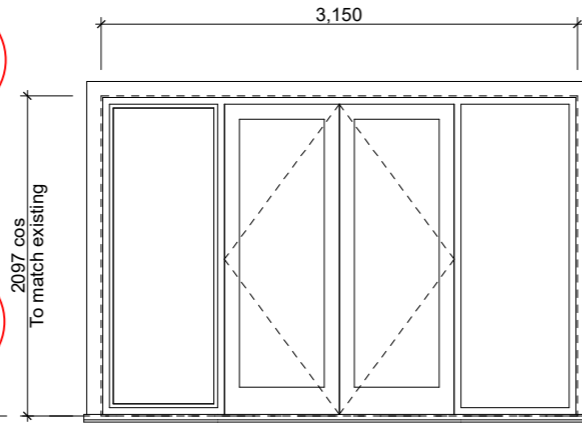
- Head to line with existing (cos)
- New double glazed lead light, 2 x rows to line through with WG 01 glazing
- Potentially re-use existing brass door knob
- New feature door handle, TBC by client

ED 01

Door Type Single Hinged Door
Hardware 100MM S.S Butt hinge
Joinery Notes Door Frame: H3.1 Pine clears painted, profiles to JMF standard details

Door Sill: Hardwood, painted finish to standard JMF profiles
Exterior Facings: Ex 20mm H3.1, to match existing, paint finish

Joinery Suite JMF 7000 Series: Hinged & French Door to NZS4211
Door Leaf Solid Core



ED 02

Glass Type Double Glazed, Solux-E, Argon Filled
 Safety Glass in compliance with NZS 4223.3:2016

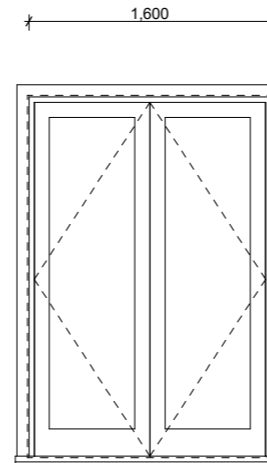
Joinery Notes Architrave 1: 92x20 Moulded pine clears, painted, refer A404 for profile
 Exterior Facings: Ex 20mm H3.1, to match existing, paint finish

Finish Painted Finish, refer resene specification

Sash Type Hinged Door
 Fixed Pane Sidelight

Hardware 100MM S.S Butt hinge
 Door Hardware: To be confirmed by client

Joinery Suite JMF 7000 Series: Hinged & French Door to NZS4211



ED 04

Glass Type Double Glazed, Solux-E, Argon Filled
 Safety Glass in compliance with NZS 4223.3:2016

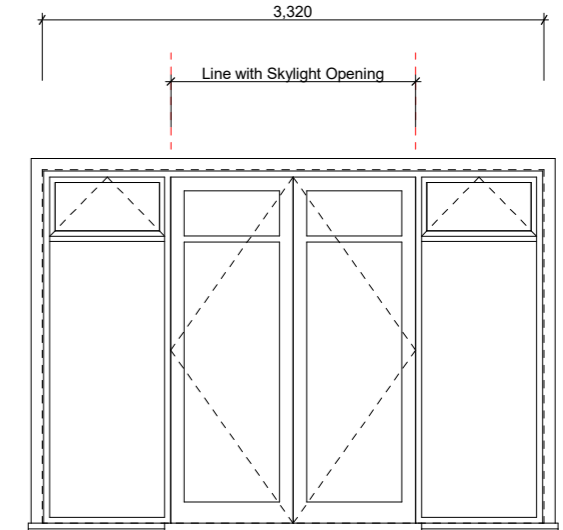
Joinery Notes Architrave 1: 92x20 Moulded pine clears, painted, refer A404 for profile
 Exterior Facings: Ex 20mm H3.1, to match existing, paint finish
 Door Frame: H3.1 Pine clears painted, profiles to JMF standard details

Door Sill: Hardwood, painted finish to standard JMF profiles
 Glazed Door Frame: Cedar, painted, profiles to JMF standard details

Finish Painted Finish, refer resene specification

Sash Type Fixed Pane

Joinery Suite JMF 7000 Series: Hinged & French Door to NZS4211
Door Type Single Hinged Door



ED 05

Door Type Single Hinged Door
Glass Type Double Glazed, Solux-E, Argon Filled
Hardware 100MM S.S Butt hinge
 Door Hardware: To be confirmed by client
 Mortice Lock
 Selected 2 Lever Mortice Lock - 44mm Backset

Joinery Notes Architrave 1: 92x20 Moulded pine clears, painted, refer A404 for profile
 Door Frame: H3.1 Pine clears painted, profiles to JMF standard details

Exterior Facings: Ex 20mm H3.1, to match existing, paint finish
 Glazed Door Frame: Cedar, painted, profiles to JMF standard details

Joinery Suite JMF 7000 Series: Hinged & French Door to NZS4211
Sash Type Awning Sash
 Fixed Sash
 Hinged Door

Project:

Baldwin Allen

For: David Allen & Pip Baldwin
At: 11 A Shirley St Karori Wellington



Novak+Middleton Limited,
15 Everton Terrace, PO Box 12 232, Wellington 6144
t 04 472 9729 e architects@novakmiddleton.co.nz
www.novakmiddleton.co.nz

© Copyright Novak+Middleton Limited. All dimension to be checked on site. Copyright in all drawings, specifications and other documents and in the work executed from them remains the property of Novak+Middleton Limited.

ISSUE:

Date:

Comments:

a
b

08/03/23
21/04/23

Issued for Construction
Updated ED 01 to reflect discussions on site

Scale: 1:50

Original size: A3

Designed | Drawn: RM / CS

File Reference:
N:\2021\2104 Baldwin Allen\3.0-Drawings\3.1-Arch\CAD\CA
\230417_CD_BaldwinAllen_CA Set.pln

Drawing:

Exterior Door Schedule

Stage of Documentation:
Detailed Design

Printed: 21/04/2023

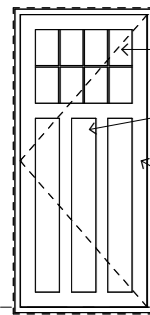
Project number:

2104

Drawing number / Issue:

A603b

COS



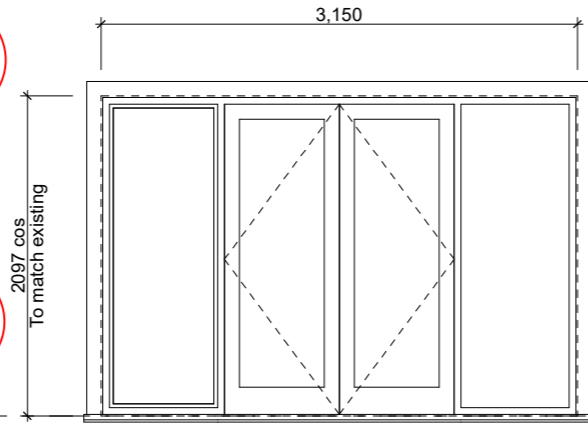
- Head to line with existing (cos)
- New double glazed lead light, 2 x rows to line through with WG 01 glazing
- Potentially re-use existing brass door knob
- New feature door handle, TBC by client

ED 01

Door Type Single Hinged Door
Hardware 100MM S.S Butt hinge
Joinery Door Frame: H3.1 Pine clears painted, profiles to JMF standard details
Notes

Door Sill: Hardwood, painted finish to standard JMF profiles
 Exterior Facings: Ex 20mm H3.1, to match existing, paint finish

Joinery Suite JMF 7000 Series: Hinged & French Door to NZS4211
Door Leaf Solid Core



ED 02

Glass Type Double Glazed, Solux-E, Argon Filled
 Safety Glass in compliance with NZS 4223.3:2016

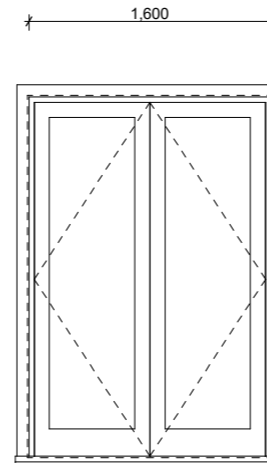
Joinery Notes Architrave 1: 92x20 Moulded pine clears, painted, refer A404 for profile
 Exterior Facings: Ex 20mm H3.1, to match existing, paint finish

Finish Painted Finish, refer resene specification

Sash Type Hinged Door
 Fixed Pane Sidelight

Hardware 100MM S.S Butt hinge
 Door Hardware: To be confirmed by client

Joinery Suite JMF 7000 Series: Hinged & French Door to NZS4211



ED 04

Glass Type Double Glazed, Solux-E, Argon Filled
 Safety Glass in compliance with NZS 4223.3:2016

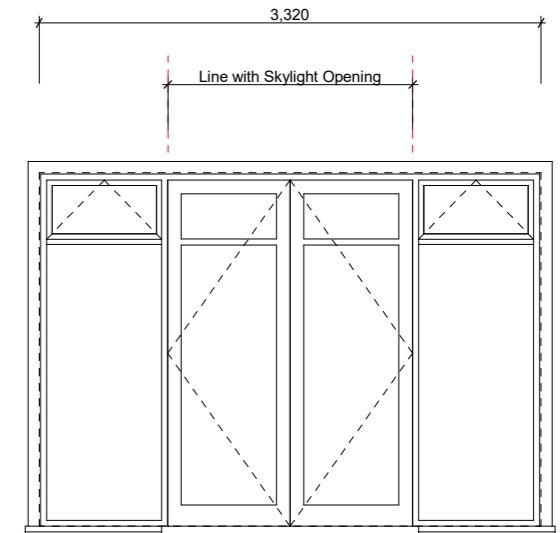
Joinery Notes Architrave 1: 92x20 Moulded pine clears, painted, refer A404 for profile
 Exterior Facings: Ex 20mm H3.1, to match existing, paint finish
 Door Frame: H3.1 Pine clears painted, profiles to JMF standard details

Door Sill: Hardwood, painted finish to standard JMF profiles
 Glazed Door Frame: Cedar, painted, profiles to JMF standard details

Finish Painted Finish, refer resene specification

Sash Type Fixed Pane

Joinery Suite JMF 7000 Series: Hinged & French Door to NZS4211
Door Type Single Hinged Door



ED 05

Door Type Single Hinged Door
Glass Type Double Glazed, Solux-E, Argon Filled
Hardware 100MM S.S Butt hinge
 Door Hardware: To be confirmed by client
 Mortice Lock
 Selected 2 Lever Mortice Lock - 44mm Backset

Joinery Notes Architrave 1: 92x20 Moulded pine clears, painted, refer A404 for profile
 Door Frame: H3.1 Pine clears painted, profiles to JMF standard details

Exterior Facings: Ex 20mm H3.1, to match existing, paint finish
 Glazed Door Frame: Cedar, painted, profiles to JMF standard details

Joinery Suite JMF 7000 Series: Hinged & French Door to NZS4211
Sash Type Awning Sash
 Fixed Sash
 Hinged Door

Project:

Baldwin Allen

For: David Allen & Pip Baldwin
At: 11 A Shirley St Karori Wellington



Novak+Middleton Limited,
15 Everton Terrace, PO Box 12 232, Wellington 6144
t 04 472 9729 e architects@novakmiddleton.co.nz
www.novakmiddleton.co.nz

© Copyright Novak+Middleton Limited. All dimension to be checked on site. Copyright in all drawings, specifications and other documents and in the work executed from them remains the property of Novak+Middleton Limited.

ISSUE:

Date:

Comments:

a
b

08/03/23
21/04/23

Issued for Construction
Updated ED 01 to reflect discussions on site

Scale: 1:50

Original size: A3

Designed | Drawn: RM / CS

File Reference:

N:\2021\2104 Baldwin Allen\3.0-Drawings\3.1-Arch\CAD\CA
\230417_CD_BaldwinAllen_CA Set.pln

Drawing:

Exterior Door Schedule

Stage of Documentation:
Detailed Design

Printed: 21/04/2023

Project number:

2104

Drawing number / Issue:

A603b