

Aussie UnderCover® Instructions (extract)

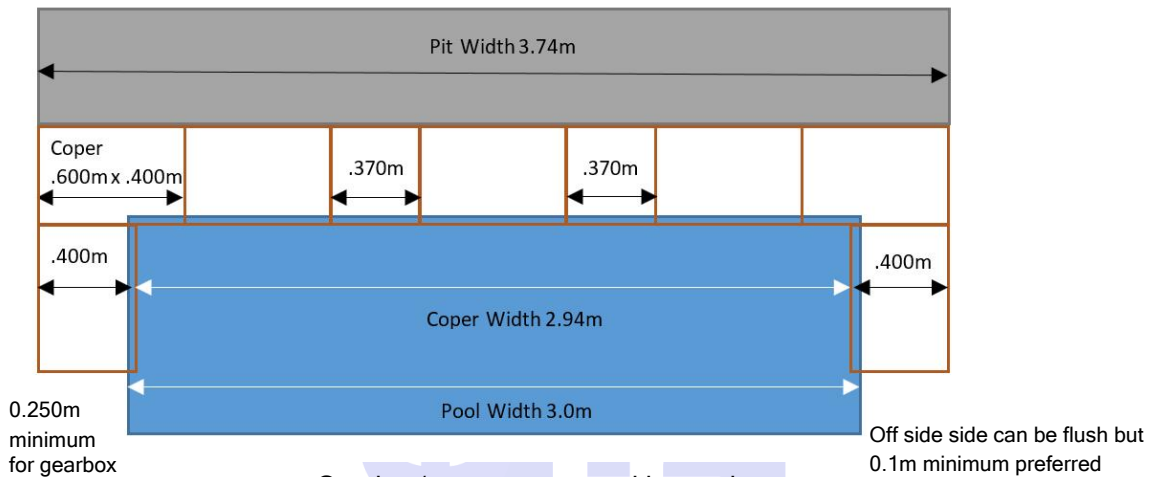
The standard area required to install the kit in-ground, under deck or in a concrete or other type of pit allows 300mm past the water line edge on each side of the pool. This can be reduced to 100mm on the non-winder side if space is an issue.

Under deck

- Cut or create an opening in the deck to suit the Aussie UnderCover® lid frame. (Diagram below x .390m x .480m deep)
- Frame the opening to provide anchor points to mount the Gearbox, End Mount and gas strut brackets. (refer to diagrams 3 & 4)

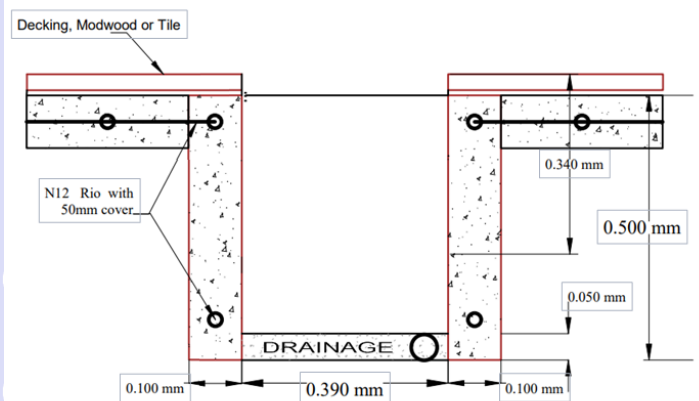
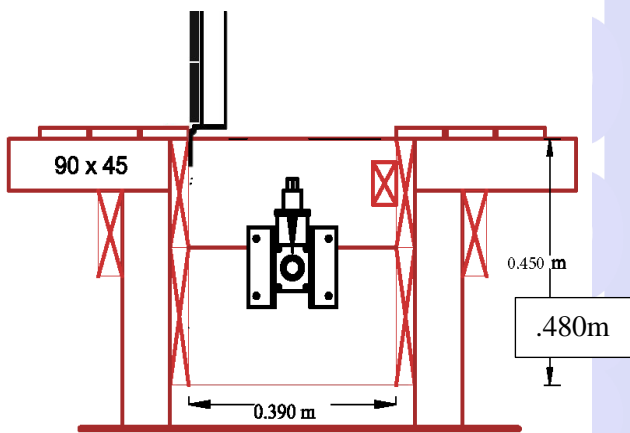
Formed concrete

- Create a cavity, referring to the diagram below x .390m wide x minimum of .500m deep.
- N12 rio with 40mm coverage required
- Allow extra depth for suitable drainage. Water must not collect in the completed pit.
- **It is the contractor's responsibility to identify and provide adequate drainage.**



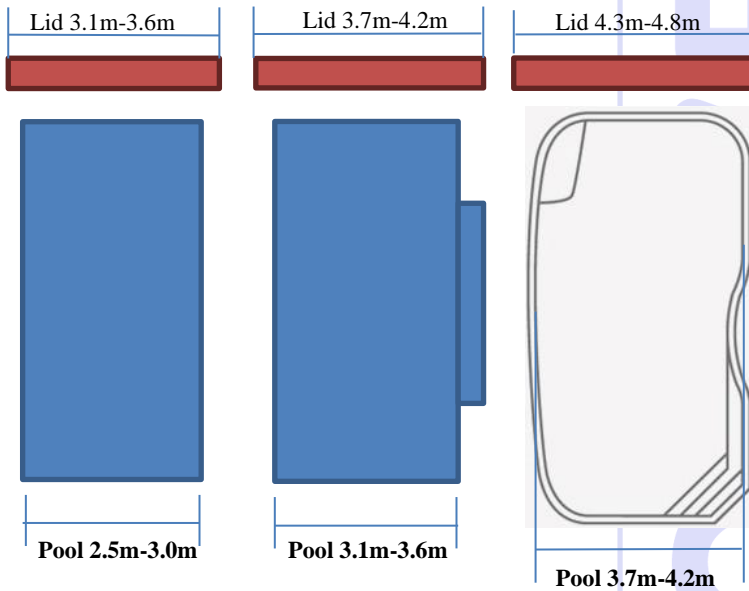
Gearbox/motor can go at either end

Pit length calculation - pool waterline - coper overhand + coper width
 e.g. 3.0m - 0.06m + 0.8m = 3.74m



Pit/Deck/Concrete Opening Size – Petite to Large

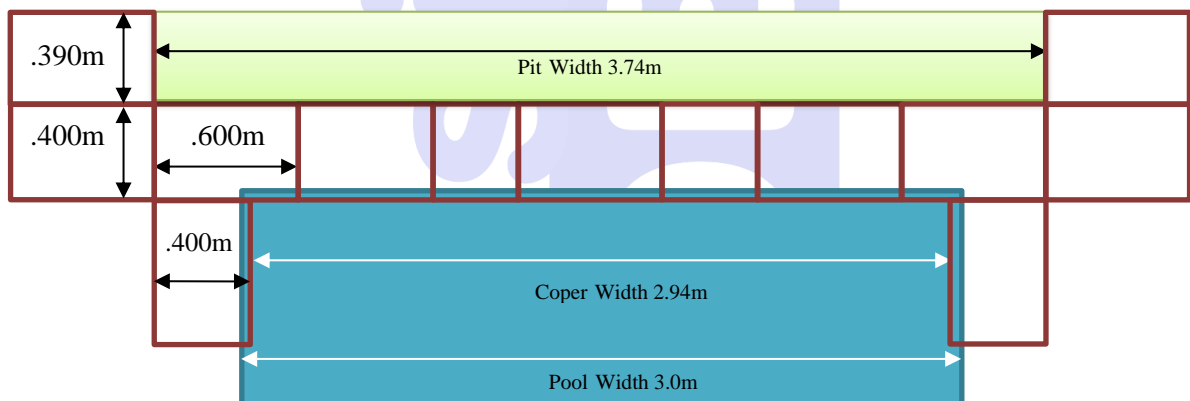
Note: If the pit/lid frame is to match coper width you may need to increase the kit size



Kit Name	Pool Min	Pool Max	Lid Min	Lid Max
Petite	1.3	1.8	1.9	2.45
Narrow	1.9	2.4	2.5	3.05
Small	2.5	3.0	3.1	3.65
Medium	3.1	3.6	3.7	4.25
Large	3.7	4.2	4.3	4.85
Super (2 lids)	4.3	5.4	5.0	6.1
SuperPlus (2 lids)	5.5	6.0	6.2	7.3
Custom (2 lids)	6.1	6.6	6.2	7.3

The roller tube is expandable to the appropriate size

NOTE: the completed lid frame must be 20mm shorter than the internal measurement of the completed box frame or deck/concrete pit opening. This allows for a 10mm gap at each end. The lid frame covering material (e.g. hardwood decking, tiles) will overhang and cover the gaps



Example
 Pool width (3.0m)
 - Coper overhang (0.08m)
 + coper width (0.80m)
 = **3.72m - MEDIUM KIT**

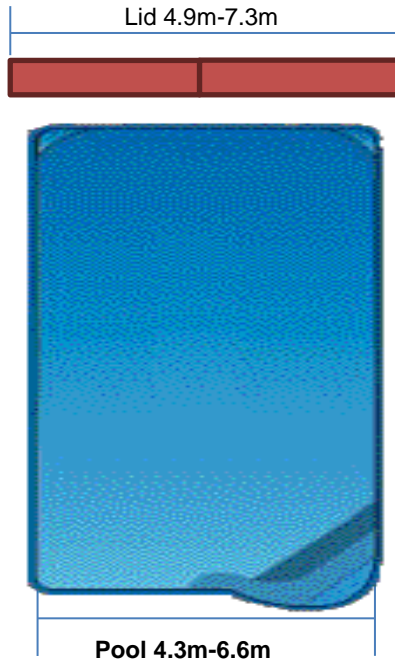
Gearbox/motor can go at either end

Copyright – instructions not to be copied or duplicated in any format – property of Real Aussie Pools & Aussie UnderCover®

Deck/Pit Opening Size Chart – Super, SuperPlus & Custom

Note: If the pit/lid frame is to match coper width you may need to increase the kit size

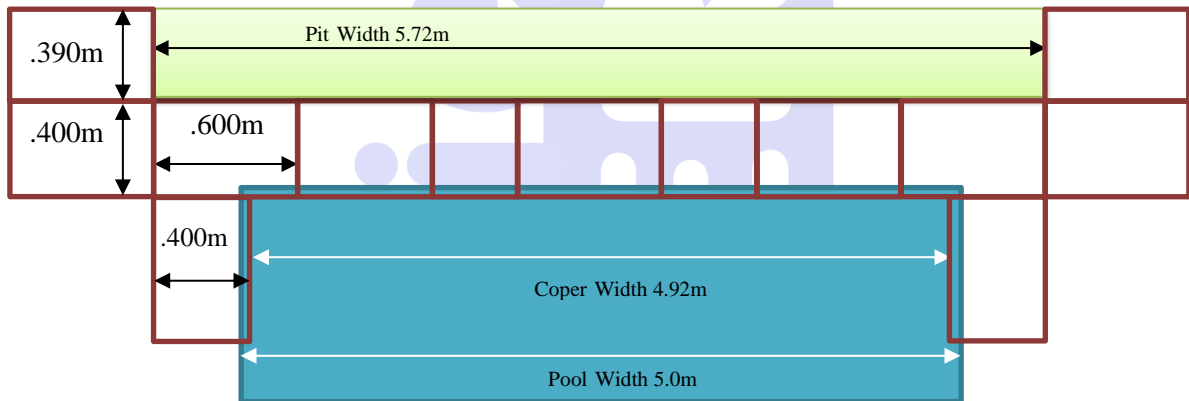
Copyright – instructions not to be copied or duplicated in any format – property of Real Aussie Pools & Aussie UnderCover®



Kit Name	Pool Min	Pool Max	Lid Min	Lid Max
Petite	1.3	1.8	1.9	2.45
Narrow	1.9	2.4	2.5	3.05
Small	2.5	3.0	3.1	3.65
Medium	3.1	3.6	3.7	4.25
Large	3.7	4.2	4.3	4.85
Super (2 lids)	4.3	5.4	5.0	6.1
SuperPlus (2 lids)	5.5	6.0	6.2	7.3
Custom (2 lids)	6.1	6.6	6.2	7.3

Super & SuperPlus
 The roller tube is expandable to the appropriate size

Custom
 The roller tube is 125mm diameter and will need to be cut to suit required length



Example
 Pool width (5.0m)
 - Coper overhang (0.08m)
 + coper width (0.80m)
 = **5.72m - SUPER KIT**

NOTE: the completed lid frames should be 40mm shorter than the internal measurement of the completed box frame or deck/concrete pit opening. This allows for a 10mm gap at each end and 20mm in the centre. The lid frames covering material (e.g. hardwood decking, tiles) will overhang and cover the gaps.

The lid frames can be any size within the range of Lid Minimum and Lid Maximum

Concrete Pit Preparation (sample construction)

- Minimum 100mm concrete and N12 rio with 40mm coverage required. Reinforce corner edges.
- Allow extra depth for suitable drainage. Water must not collect in the completed pit.
- It is the contractor's responsibility to identify and provide adequate drainage.
 - 90 x 45 treated pine (4 pieces @ length of pit minus 40mm plus 10-12 @ 260mm)
 - 20mm form ply (2 pieces @ length of pit minus 40mm x 500mm plus 2 @ 390mm x 500mm)

Copyright – instructions not to be copied or duplicated in any format – property of Real Aussie Pools & Aussie UnderCover®



Overall completed formwork = Pit length by 390mm wide x 450/500mm high/deep



Outside to outside 350mm wide 90 x 45 treated pine. 20mm form ply will be added to each outside edge.



Screws must be accessible once the concrete has been poured so the form work can be removed



Top and bottom complete



Screw 20mm Form Ply to the four outside edges. Top and bottom left open.



Outside to outside 450/500mm deep

Do not screw from the outside



Screws must be accessible once the concrete has been poured so the form work can be removed



Copyright – instructions not to be copied or duplicated in any format – property of Real Aussie Pools & Aussie UnderCover®

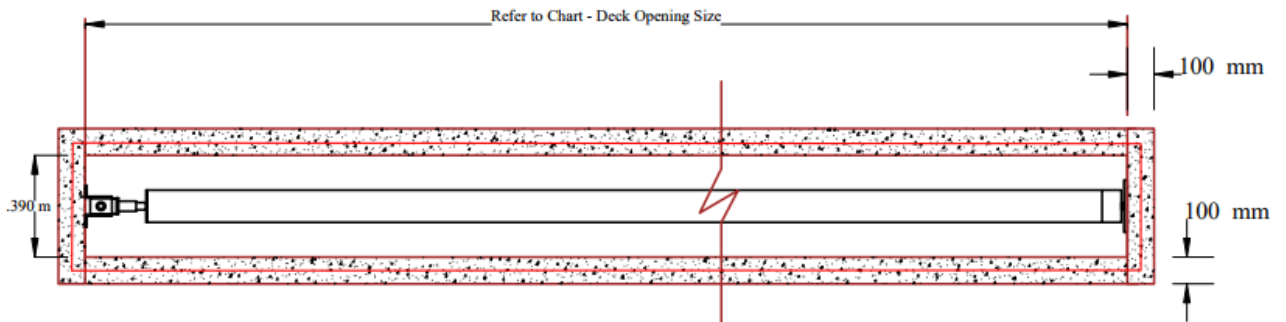


Completed form work
390mm wide x 500mm deep
Length to suit pool & kit

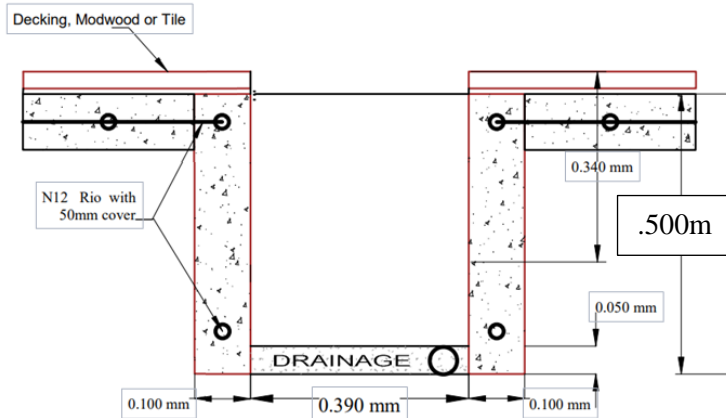
N12 rio in all walls & corners
top and bottom



Timber brace attached to formwork and pool edge to stop movement during concrete pour



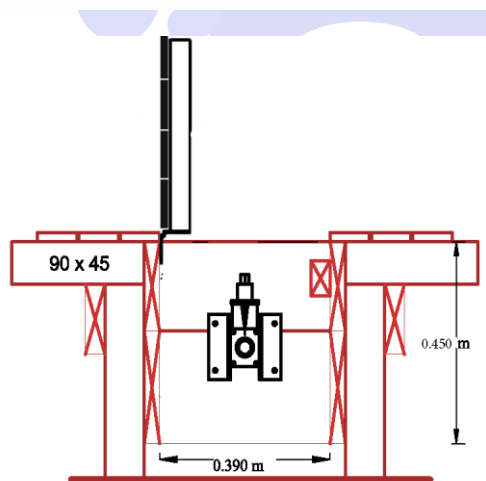
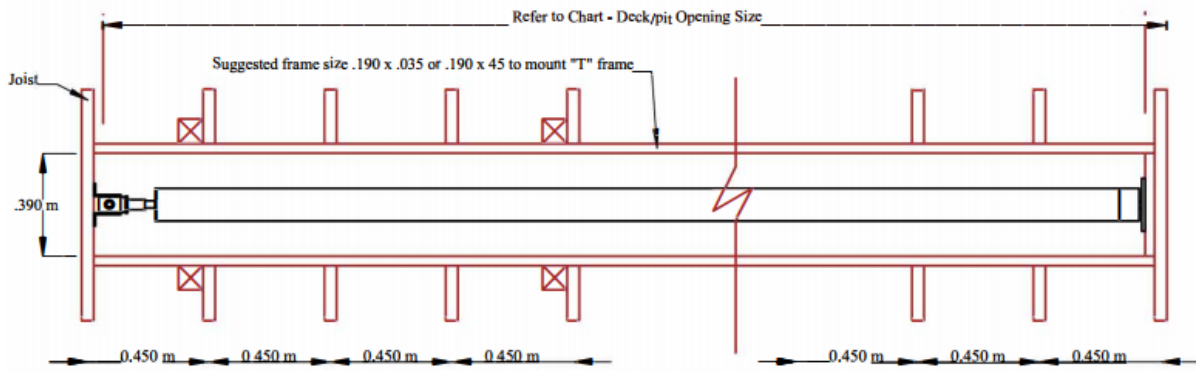
N12 rio with
40mm cover



Decking Preparation examples



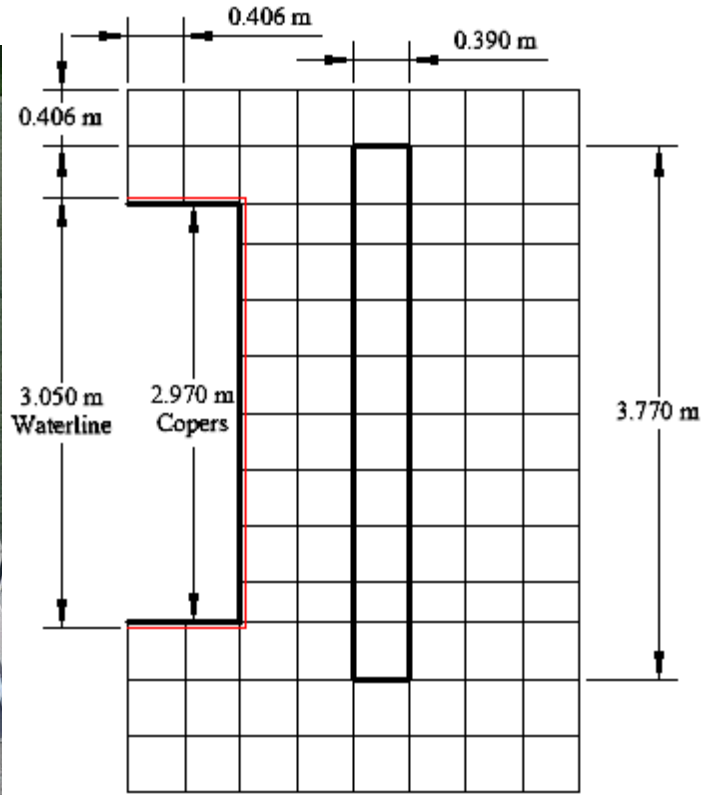
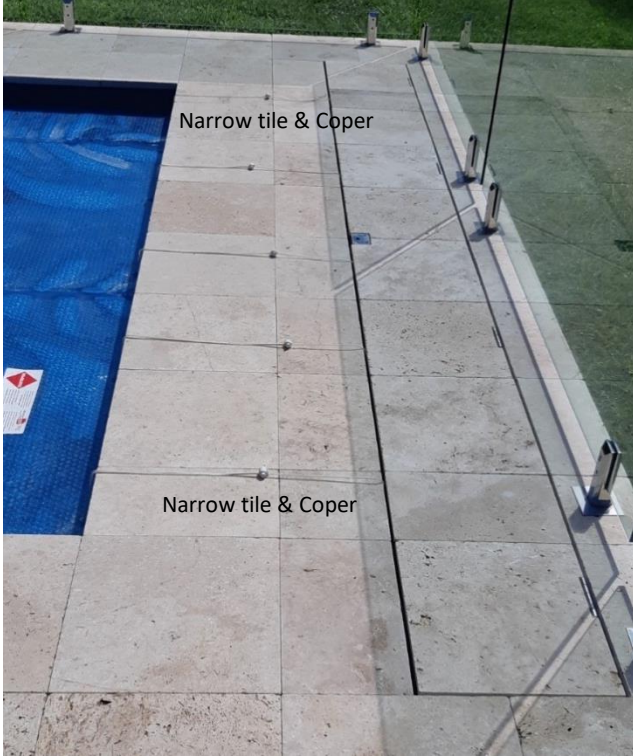
Cavity lining 190 x 35 or 245 x 35 as required



Copyright – instructions not to be copied or duplicated in any format – property of Real Aussie Pools & Aussie UnderCover®



Copyright – instructions not to be copied or duplicated in any format – property of Real Aussie Pools & Aussie UnderCover®



Layout Example

Pool 3.050m internal width
 Coper Travertine 406 x 406 x 12
 Coper overhang 30mm – internal coper width 2.970m
 Pit 3.770m wide

