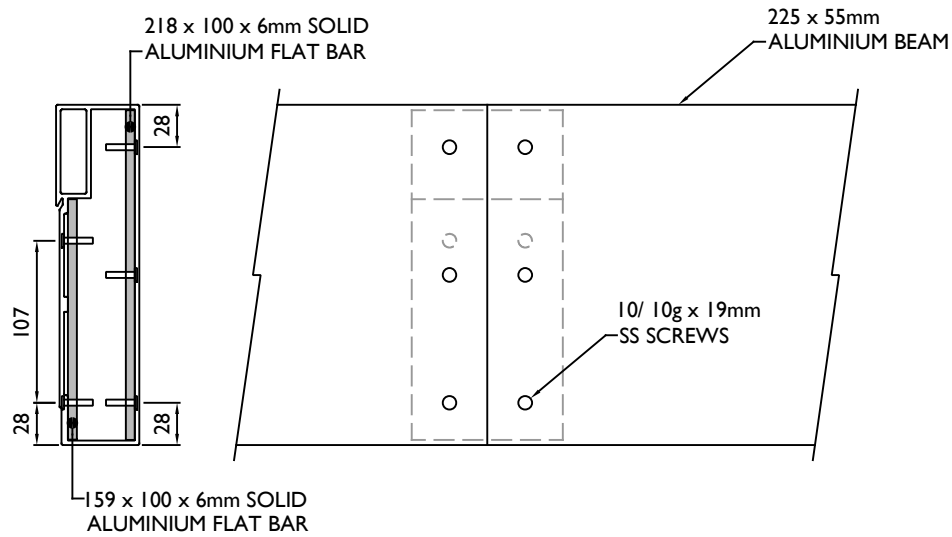
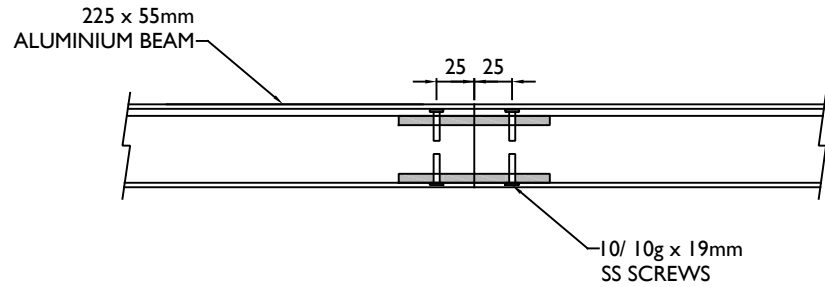


BC-BJ/STR



CLIENT

DRAWING TITLE

BEAM CONNECTION
BUTT-JOIN STRAIGHT BEAM

DRAWING NO.

BC-BJ/STR

DATE 02.09.2021

SCALE 1:5 (A4)

DRAWN BY P.D

ISSUE A