



# AvanTech YOU drawer system

As individual as you are

1st Edition

Technik für Möbel

  
**Hettich**

# AvanTech YOU double walled drawer system



## Why AvanTech YOU?

The AvanTech YOU drawer system helps you achieve what your customer wants. Easy to install and with options to retrofit into existing spaces, AvanTech YOU also has the biggest scope for customised design.

**Slim design:** a sleek 13 mm drawer side profile and more accessories for customisation.

**Optimised drawer performance:** one drawer, two runners. Interchangeable due to compatible drilling patterns and with Hettich's unmatched Push to Open and Silent System close technology.

**Efficient and cost effective production:** production and assembly processes guarantee cost effectiveness and efficient work flows while at the same time providing the basis for a broad product lineup.



**Design diversity and creative flexibility:** different shapes, colours and materials for design continuity inside and out.



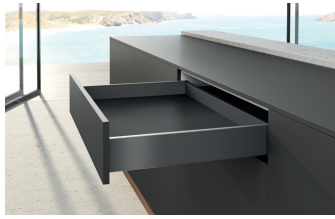
**Many options for customisation:** additional design profiles and DesignCapes.



**Function and form:** looks good, performs too. High quality runners and strong underlying technology for a robust and durable draw.

# AvanTech YOU double walled drawer system

## ► Summary



### AvanTech YOU drawer

- Height 101mm 10
- Height 139 mm 12



### AvanTech YOU pot-and-pan drawer

- Height 187 mm 14
- Height 251 mm 16



### AvanTech YOU internal drawers and design elements

- Front for internal drawers / pull-outs 18
- Customisable front panel for internal pot-and-pan drawer 20



### AvanTech YOU Inlay pot-and-pan drawer **AVAILABLE LATE 2021**

- Height 187 mm 24



### AvanTech YOU additional parts and design elements

- Narrow, tall and pantry stacker applications 26 - 28
- Additional or replacement parts for drawer sets 29
- Design elements 32



### AvanTech YOU drawer runners

- Actro YOU 38
- Quadro YOU 44



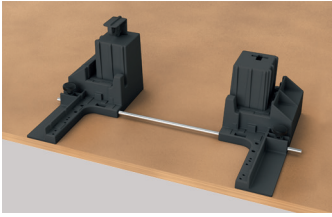
### Accessories

- Interior organisation systems 50



### Bins and waste solutions

- AvanTech YOU Pull 68
- Bin.it series 70



### Assembly aids and drilling jigs

▶ Assembly aids

78

▶ Drilling jigs

80



# AvanTech YOU double walled drawer system

- ▶ Range summary
- ▶ Powder coated steel, white and anthracite



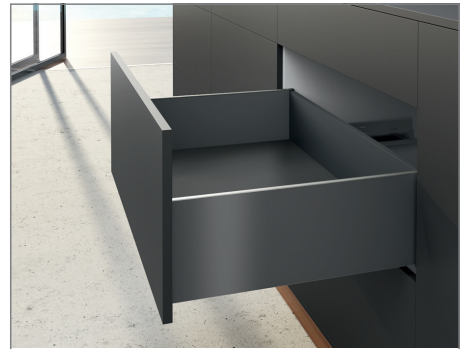
Drawer, height 101 mm

10



Drawer, height 139 mm

12



Pot-and-pan drawer, height 187 mm

14



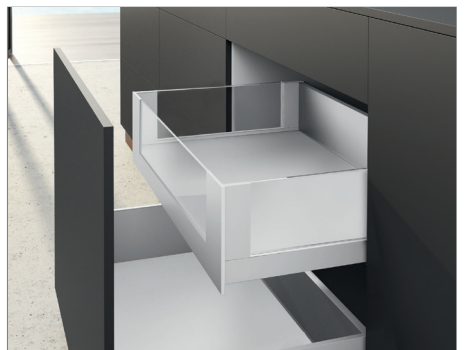
Pot-and-pan drawer, height 251 mm

16



Internal drawer, height 101 / 139 mm,  
internal pot-and-pan drawer, height 187 mm

18



Customisable front for internal drawers

20



Inlay pot-and-pan drawer, height 187 mm

24

AVAILABLE LATE 2021



Narrow base unit

26



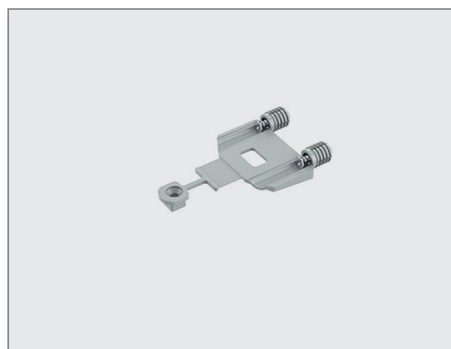
Tall unit

27



Pantry Stackers

28



Other Accessories

29



Actro YOU Drawer Runners

38

# AvanTech YOU double walled drawer system

- ▶ Range summary
- ▶ Powder coated steel, white and anthracite



QuadroYOU Drawer Runners

44



Interior Organisation

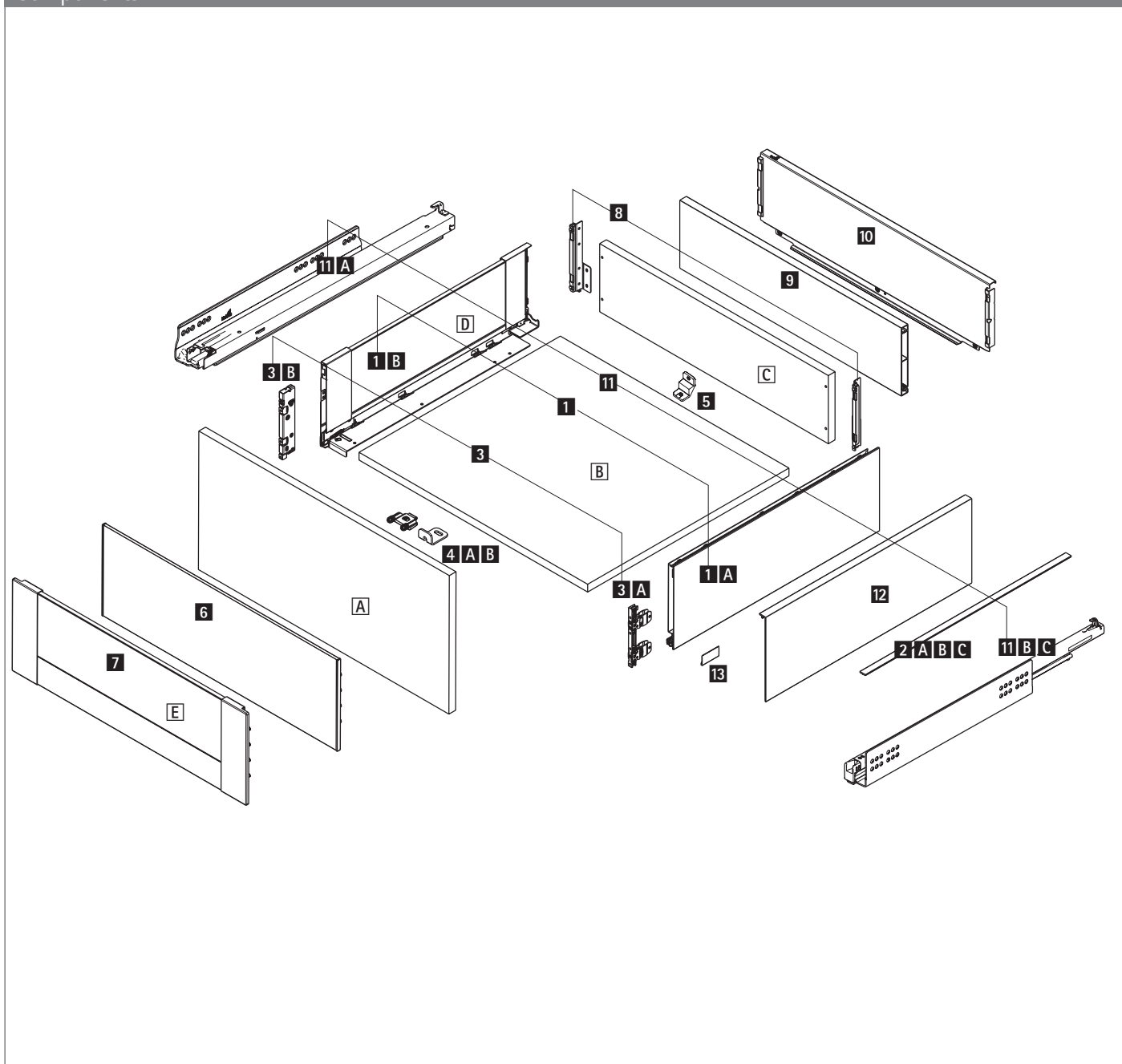
50

# AvanTech YOU double walled drawer system

## ► Overview of components



### Components





# AvanTech YOU double walled drawer system

## ► Overview of components

### AvanTech YOU system components

#### Basic components

**1** Drawer side profile, left and right

**1 A** AvanTech YOU or

**1 B** AvanTech YOU Inlay **AVAILABLE LATE 2021**

**2** Design profiles for top side of AvanTech YOU drawer side profile

**A** Front panel, see front panel options

**3** Front connectors, left and right

**3 A** for AvanTech YOU or

**3 B** for AvanTech YOU Inlay **AVAILABLE LATE 2021**

**4 A** / **4 B** Stabiliser for front panel / internal front panel

**C** Rear panel, see rear panel options

**5** Rear panel stabiliser

#### Front panel options

**A** Front panel

**6** Front panel for internal drawer / internal pot-and-pan drawer

**7** Customisable front panel for internal drawer / internal pot-and-pan drawer

#### Design options

**2 A** / **2 B** / **2 C** Design profile in drawer side profile colour / foil wrapped / customisable

**12** DesignCape

**13** Branding clip

#### Drawer runners

**11 A** Actro YOU full extension runner

**11 B** / **11 C** Quadro YOU full extension runner

#### Wooden elements cut to size

**A** Front panel

**B** Bottom panel

**C** Wooden rear panel

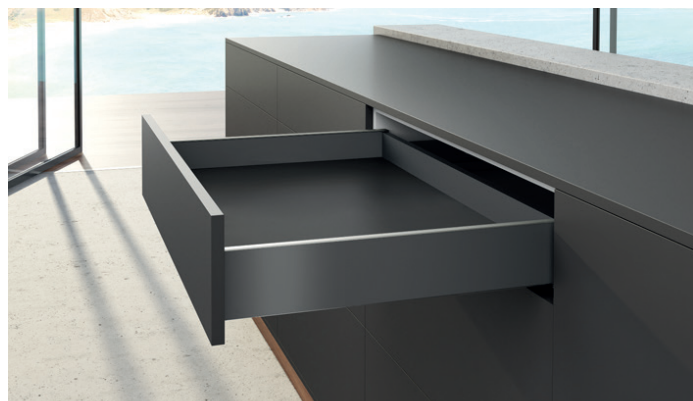
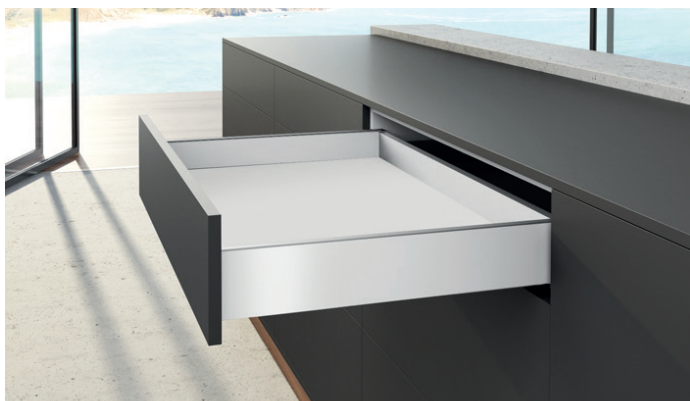
**D** AvanTech YOU Inlay - insert in any chosen material

**E** Customisable internal front panel - insert in any chosen material

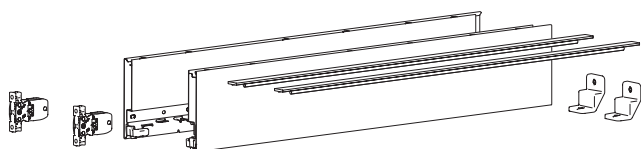


# AvanTech YOU double walled drawer system

- ▶ Drawer height 101 mm
- ▶ Powder coated steel, white and anthracite



## 1 Drawer side profile set, height 101mm



- ▶ Integrated vertical, lateral and tilt adjustment
- ▶ Steel, powder coated

Set comprises:

- ▶ **1** 1 drawer side profile, left and right
- ▶ **2** 2 design profiles in drawer side profile colour
- ▶ **3** 2 drawer front connectors for screwing on
- ▶ **5** 2 rear panel stabilisers
- ▶ Fixing material

Nominal length mm	Order no. / surface finish		PU
	white	anthracite	
350	9 255 286	9 255 326	1 set
400	9 255 287	9 255 327	1 set
450	9 255 288	9 255 328	1 set
500	9 255 289	9 255 329	1 set
550	9 255 290	9 255 330	1 set
600	9 255 291	9 255 331	1 set

AVAILABLE LATE 2021

## Easy Order Guide

### Required

- ▶ AvanTech YOU Runner 36

Runner type	Load class	Reference Page	PU
Actro YOU	XS (10 kg)	38	1 set
	L (40 kg)	38	1 set
	XL (79 kg)	38	1 set
Push to open Silent for Actro YOU		42	
Quadro YOU	XS (10 kg)	44	1 set
	M (30 kg)	44	1 set
Push to open Silent for Quadro YOU		48	

### Optional

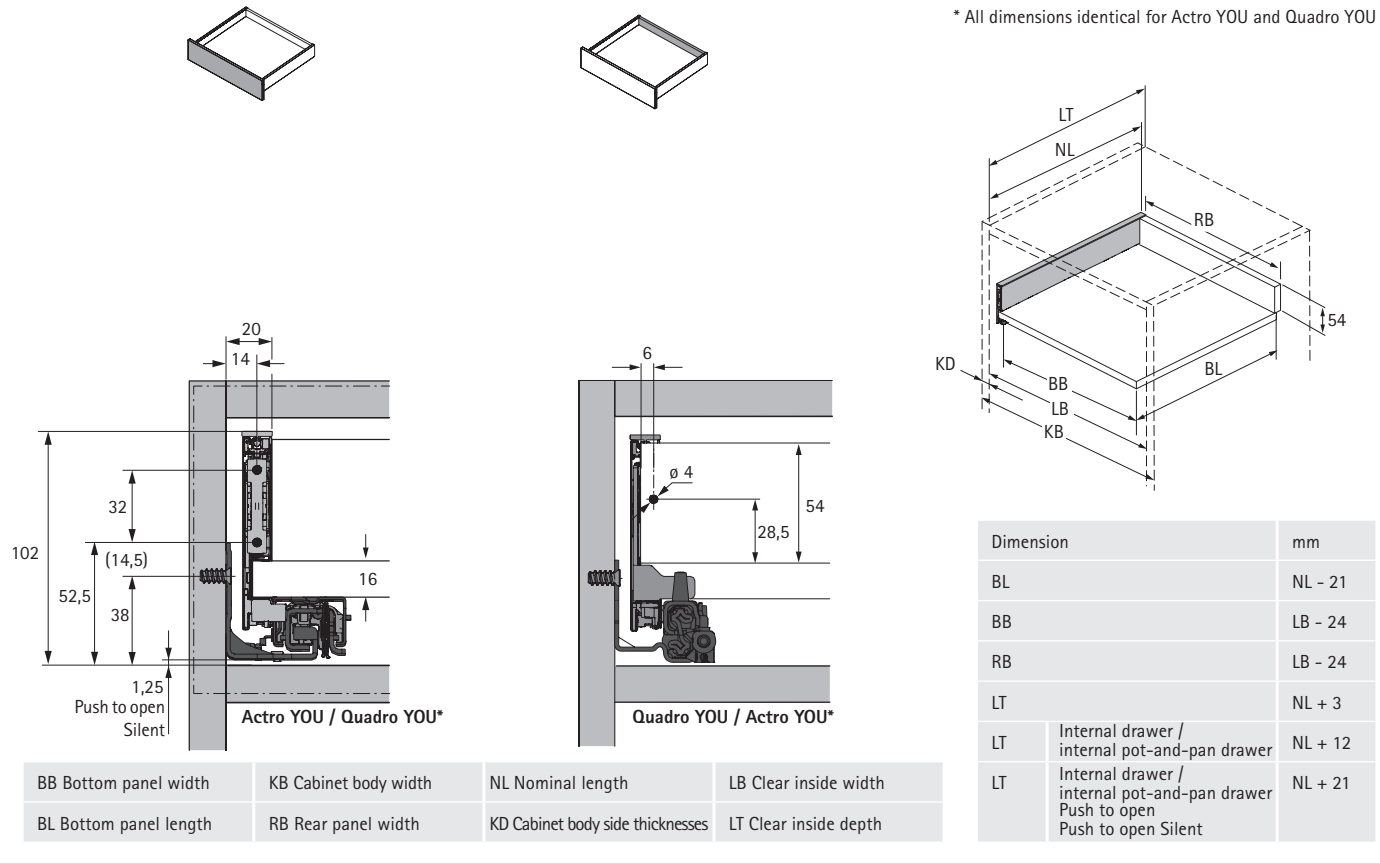
- ▶ Additional parts 29
- ▶ Design elements 32
- ▶ Interior organisation 50
- ▶ Bins and waste solutions 66

# AvanTech YOU double walled drawer system

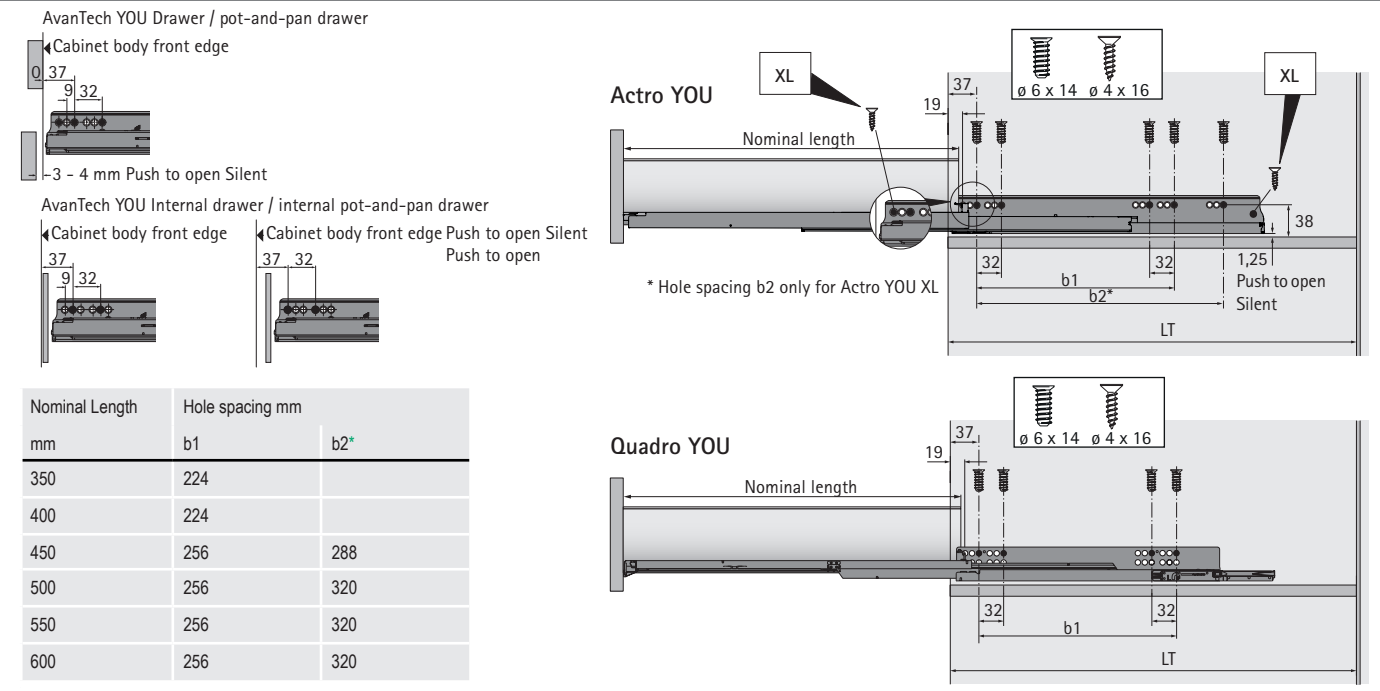
- ▶ Drawer height 101 mm
- ▶ Powder coated steel, white and anthracite

## Planning / installation dimensions

\* All dimensions identical for Actro YOU and Quadro YOU

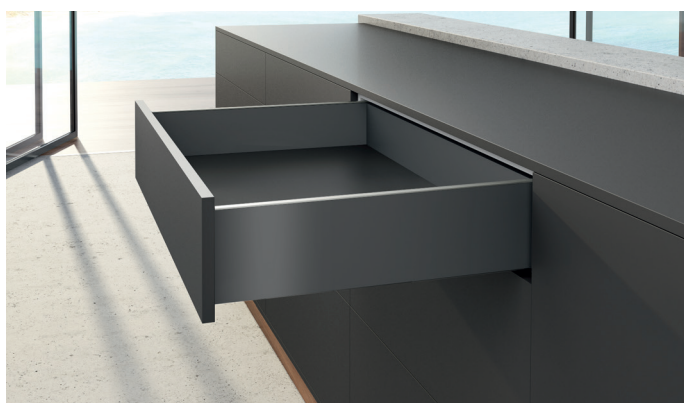


## Positions for attaching Actro YOU / Quadro YOU drawer runner

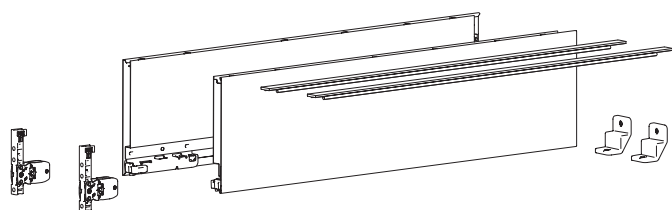


# AvanTech YOU double walled drawer system

- ▶ Drawer height 139 mm
- ▶ Powder coated steel, white and anthracite



## 1 Drawer side profile set, height 139 mm



- ▶ Integrated vertical, lateral and tilt adjustment
- ▶ Steel, powder coated

### Set comprises:

- ▶ **1** 1 drawer side profile, left and right
- ▶ **2** 2 design profiles in drawer side profile colour
- ▶ **3** 2 drawer front connectors for screwing on
- ▶ **5** 2 rear panel stabilisers
- ▶ Fixing material

Nominal length mm	Order no. / surface finish		PU
	white	anthracite	
350	9 255 295	9 255 335	1 set
400	9 255 296	9 255 336	1 set
450	9 255 297	9 255 337	1 set
500	9 255 298	9 255 338	1 set
550	9 255 299	9 255 339	1 set
600	9 255 300	9 255 340	1 set

AVAILABLE LATE 2021

## Easy Order Guide

### Required

- ▶ AvanTech YOU Runner 36

Runner type	Load class	Reference Page	PU
Actro YOU	XS (10 kg)	38	1 set
	L (40 kg)	38	1 set
	XL (79 kg)	38	1 set
Push to open Silent for Actro YOU		42	
Quadro YOU	XS (10 kg)	44	1 set
	M (30 kg)	44	1 set
Push to open Silent for Quadro YOU		48	

### Optional

- ▶ Additional parts 29
- ▶ Design elements 32
- ▶ Interior organisation 50
- ▶ Bins and waste solutions 66

# AvanTech YOU double walled drawer system

- ▶ Drawer height 139 mm
- ▶ Powder coated steel, white and anthracite

## Planning / installation dimensions

\* All dimensions identical for Actro YOU and Quadro YOU

Dimension	mm
BL	NL - 21
BB	LB - 24
RB	LB - 24
LT	NL + 3
LT	Internal drawer / internal pot-and-pan drawer NL + 12
LT	Internal drawer / internal pot-and-pan drawer Push to open Push to open Silent NL + 21

BB Bottom panel width	KB Cabinet body width	NL Nominal length	LB Clear inside width
BL Bottom panel length	RB Rear panel width	KD Cabinet body side thickness	LT Clear inside depth

## Positions for attaching Actro YOU / Quadro YOU drawer runner

AvanTech YOU Drawer / pot-and-pan drawer

Cabinet body front edge

Actro YOU

Nominal length

XL

19

37

32

32

32

1,25

38

Push to open Silent

\* Hole spacing b2 only for Actro YOU XL

b1

b2\*

LT

Ø 6 x 14 Ø 4 x 16

AvanTech YOU Internal drawer / internal pot-and-pan drawer

Cabinet body front edge

Cabinet body front edge Push to open Silent

Push to open

Quadro YOU

Nominal length

19

37

32

32

b1

LT

Ø 6 x 14 Ø 4 x 16

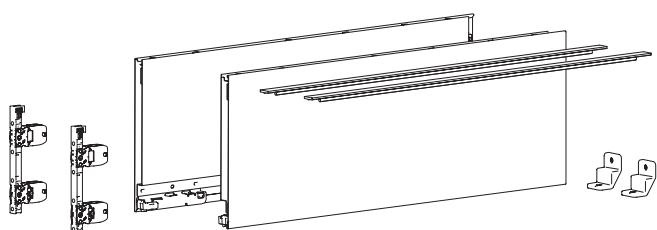
Nominal Length mm	Hole spacing mm	
	b1	b2*
350	224	
400	224	
450	256	288
500	256	320
550	256	320
600	256	320

# AvanTech YOU double walled drawer system

- ▶ Pot-and-pan drawer, height 187 mm
- ▶ Powder coated steel, white and anthracite



## 1 | Drawer side profile set, height 187mm



- ▶ Integrated vertical, lateral and tilt adjustment
- ▶ Steel, powder coated

### Set comprises:

- ▶ **1** 1 drawer side profile, left and right
- ▶ **2** 2 design profiles in drawer side profile colour
- ▶ **3** 2 drawer front connectors for screwing on
- ▶ **5** 2 rear panel stabilisers
- ▶ Fixing material

Nominal length mm	Order no. / surface finish		PU	
	white	anthracite		
350	9 255 304	9 255 344	1 set	
400	9 255 305	9 255 345	1 set	
450	9 255 306	9 255 346	1 set	
500	9 255 307	9 255 347	1 set	
550	9 255 308	9 255 348	1 set	
600	AVAILABLE LATE 2021	9 255 309	9 255 349	1 set

## Easy Order Guide

### Required

- ▶ AvanTech YOU Runner 36

Runner type	Load class	Reference Page	PU
Actro YOU	XS (10 kg)	38	1 set
	L (40 kg)	38	1 set
	XL (79 kg)	38	1 set
Push to open Silent for Actro YOU		42	
Quadro YOU	XS (10 kg)	44	1 set
	M (30 kg)	44	1 set
Push to open Silent for Quadro YOU		48	

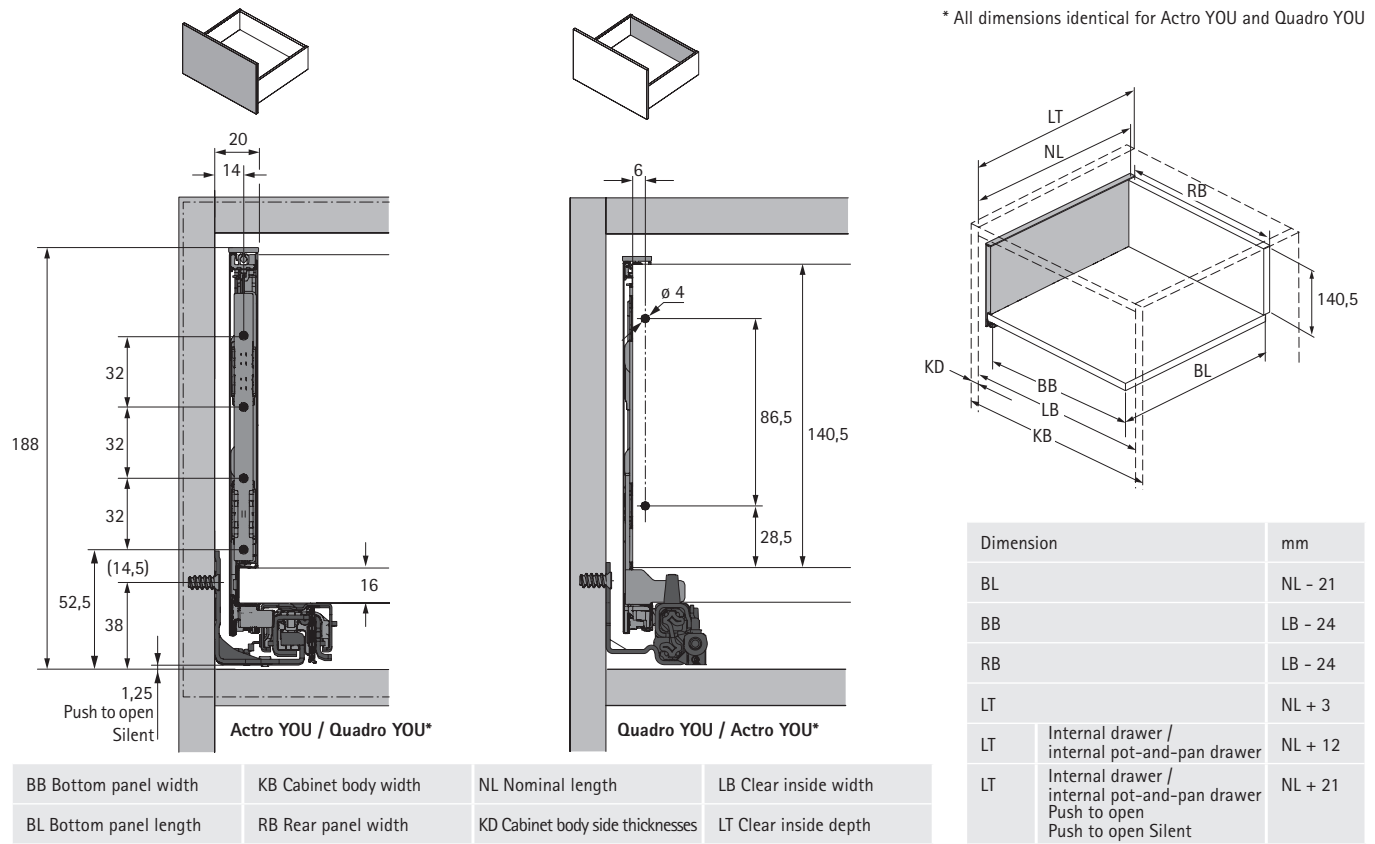
### Optional

- ▶ Additional parts 29
- ▶ Design elements 32
- ▶ Interior organisation 50
- ▶ Bins and waste solutions 66

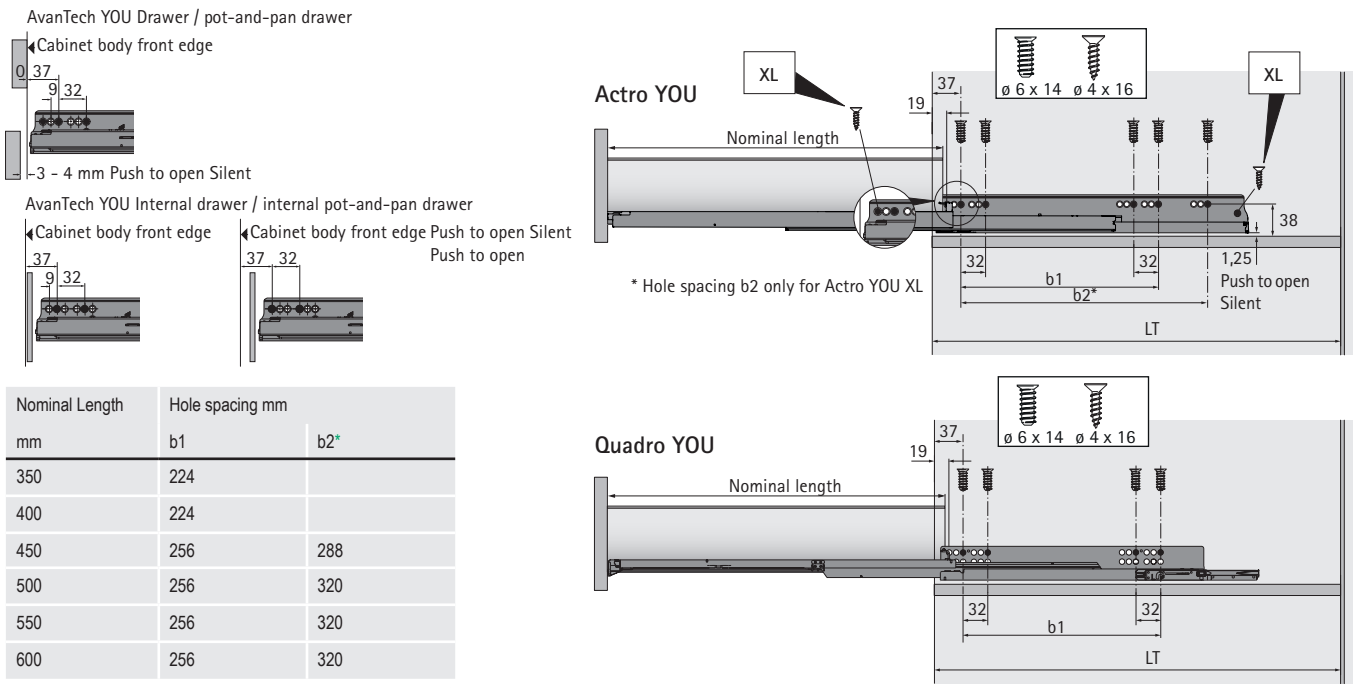
# AvanTech YOU double walled drawer system

- ▶ Pot-and-pan drawer, height 187 mm
- ▶ Powder coated steel, white and anthracite

## Planning / installation dimensions



## Positions for attaching Actro YOU / Quadro YOU drawer runner

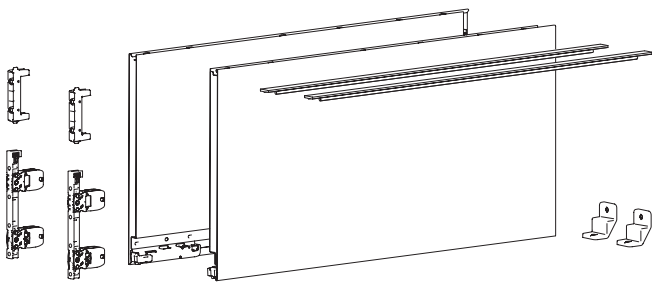


# AvanTech YOU double walled drawer system

- ▶ Pot-and-pan drawer, height 251 mm
- ▶ Powder coated steel, white and anthracite



## 1 Drawer side profile set, height 251 mm



- ▶ Integrated vertical, lateral and tilt adjustment
- ▶ Steel, powder coated

### Set comprises:

- ▶ **1** 1 drawer side profile, left and right
- ▶ **2** 2 design profiles in drawer side profile colour
- ▶ **3** 2 drawer front connectors for screwing on
- ▶ **3** 2 drawer front connector stabilisers, for screwing on
- ▶ **5** 2 rear panel stabilisers
- ▶ Fixing material

Nominal length mm	Order no. / surface finish		PU
	white	anthracite	
350	9 255 313	9 255 353	1 set
400	9 255 314	9 255 354	1 set
450	9 255 315	9 255 355	1 set
500	9 255 316	9 255 356	1 set
550	9 255 317	9 255 357	1 set
600	9 255 318	9 255 358	1 set

## Easy Order Guide

### Required

- ▶ AvanTech YOU Runner 36

Runner type	Load class	Reference Page	PU
Actro YOU	XS (10 kg)	38	1 set
	L (40 kg)	38	1 set
	XL (79 kg)	38	1 set
Push to open Silent for Actro YOU		42	
Quadro YOU	XS (10 kg)	44	1 set
	M (30 kg)	44	1 set
Push to open Silent for Quadro YOU		48	

### Optional

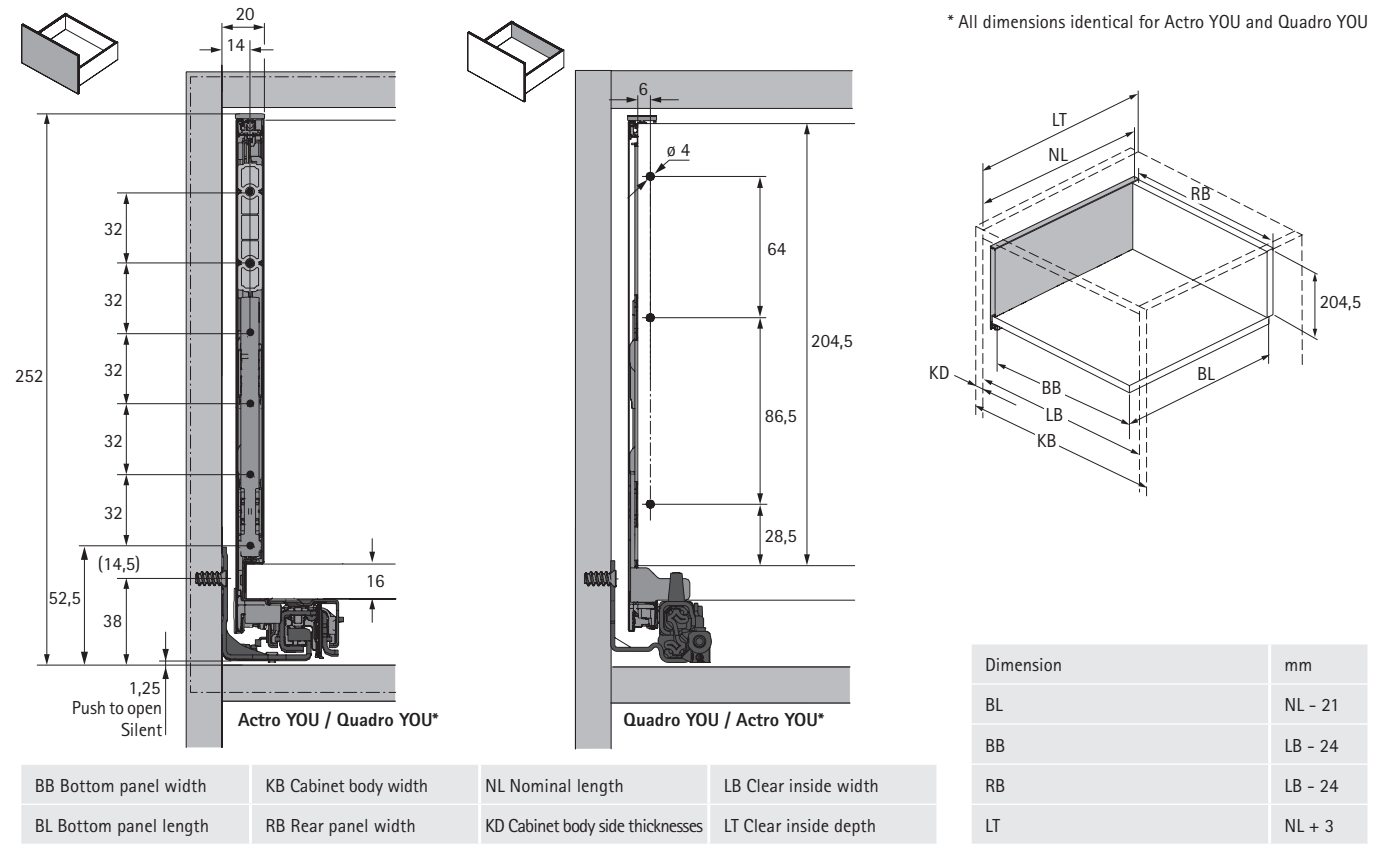
- ▶ Additional parts 29
- ▶ Design elements 32
- ▶ Interior organisation 50
- ▶ Bins and waste solutions 66



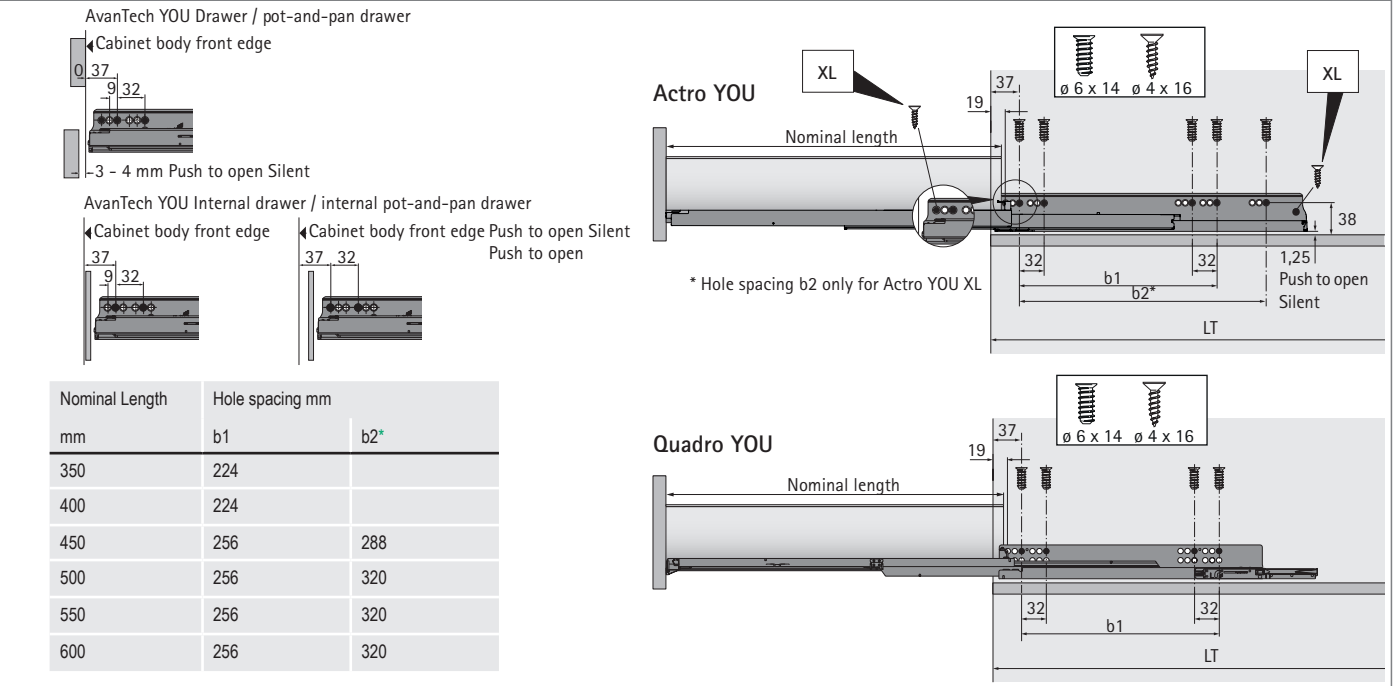
# AvanTech YOU double walled drawer system

- ▶ Pot-and-pan drawer, height 251 mm
- ▶ Powder coated steel, white and anthracite

## Planning / installation dimensions



## Positions for attaching Actro YOU / Quadro YOU drawer runner



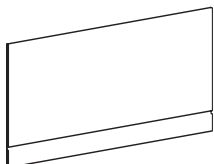
# AvanTech YOU double walled drawer system

- ▶ Front panel for internal drawer / internal pot-and-pan drawer
- ▶ Drawer side profile heights 101, 139, 187 mm

## 6 Front panel for internal drawer / internal pot-and-pan drawer



### 6 A Internal front profile for cutting to length



- ▶ For use with normal front connectors, which are included in all standard drawer sets
- ▶ Requires use of end caps, sold separately
- ▶ For variable and standard cabinet body widths
- ▶ Length 2000 mm
- ▶ Powder coated aluminium

Nominal height mm	Order no. / surface finish		PU
	white	anthracite	
101	9 257 273	9 257 277	1 ea.
139	9 257 274	9 257 278	1 ea.
187	9 257 275	9 257 279	1 ea.

### 4 B Stabiliser for internal front panel



- ▶ For stabilising wide internal front panels
- ▶ Recommended for cabinet body widths 600 mm
- ▶ Plastic

Order no.	PU
9 257 641	100 ea.

### Catch for front panel height 101 / 139 mm



- ▶ For screwing on
- ▶ Plastic

- Set comprises:
- ▶ 1 catch
  - ▶ 1 profile height increaser
  - ▶ Fixing material

Nominal height mm	Order no. / colour		PU
	white	anthracite	
101 / 139	9 257 735	9 257 736	1 set

### End caps



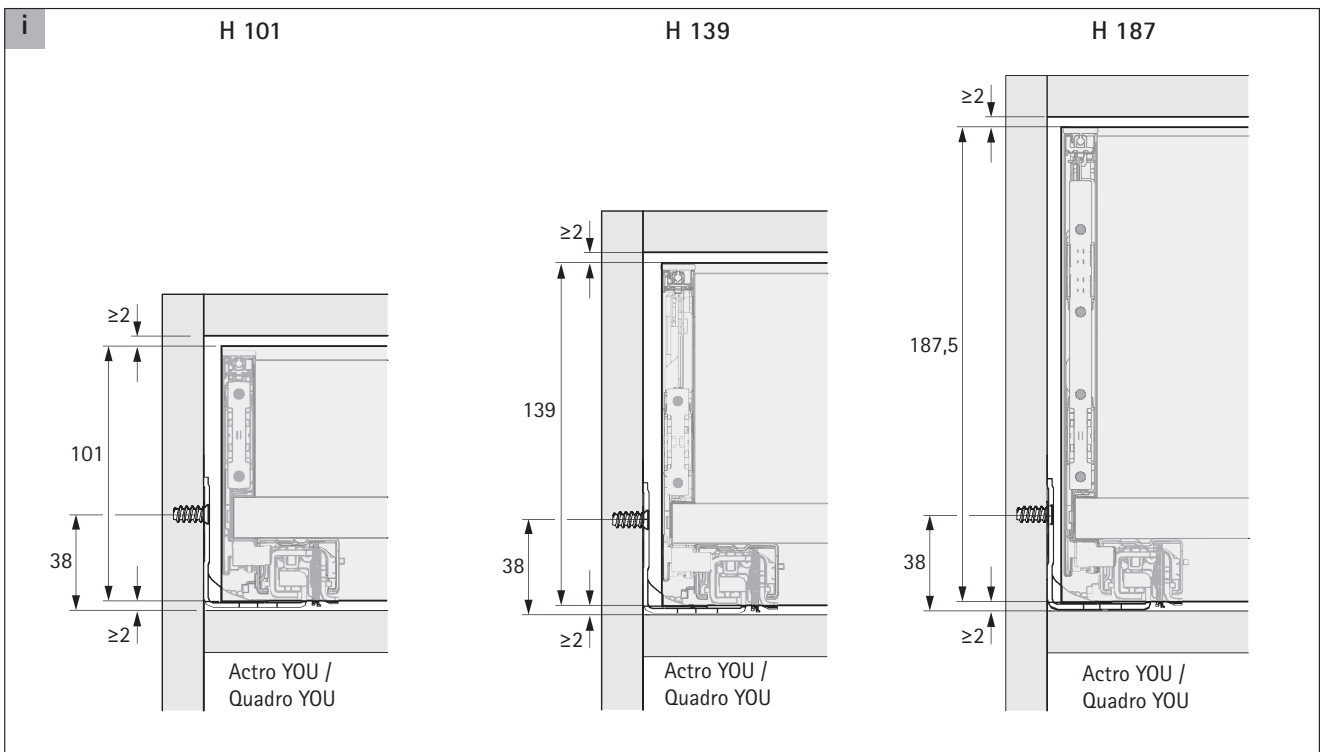
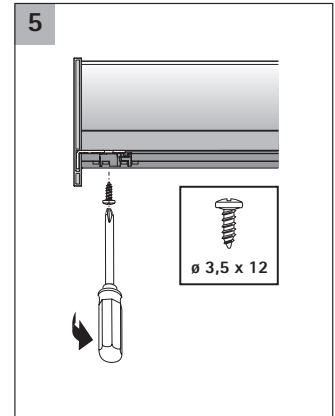
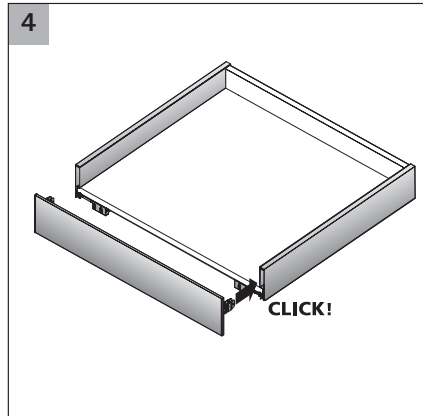
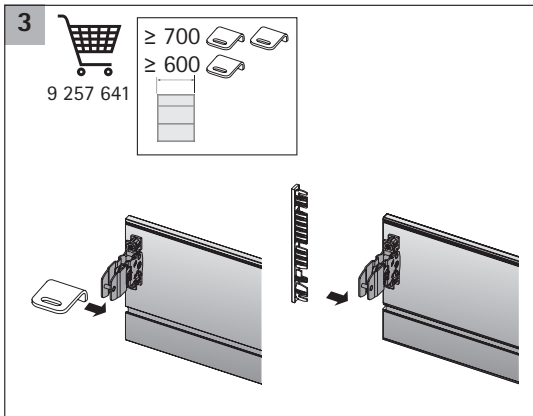
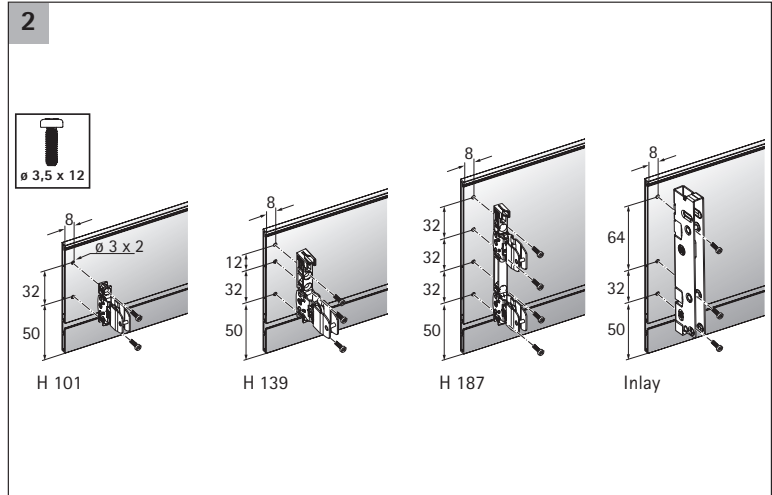
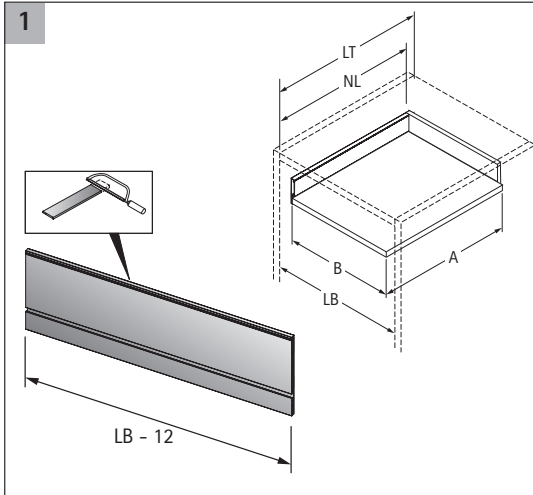
- ▶ Side edge for internal front panel profile
- ▶ Plastic

Nominal height mm	Order no. / colour		PU
	white	anthracite	
101	9 257 633	9 257 637	200 ea.
139	9 257 634	9 257 638	200 ea.
187	9 257 635	9 257 639	200 ea.

# AvanTech YOU double walled drawer system

- ▶ Front panel for internal drawer / internal pot-and-pan drawer
- ▶ Drawer side profile heights 101, 139, 187 mm

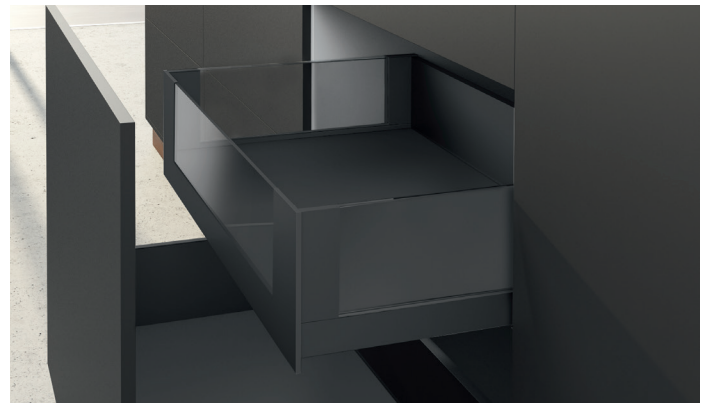
## Planning / installation dimensions



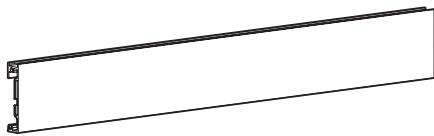
# AvanTech YOU double walled drawer system

- ▶ Customisable front panel for internal pot-and-pan drawer
- ▶ Drawer side profile height 187 mm

## 7 Customisable front panel for internal drawer / pot-and-pan drawer



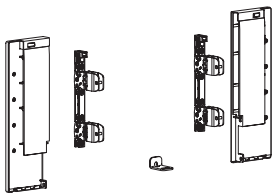
### 7 A Support profile for customisable internal front panel



- ▶ **7 B** or **7 C** Connector for customisable front panel must be ordered separately
- ▶ For using materials in a thickness of 10 mm (materials in a thickness of 8 mm: also see adapter)
- ▶ For variable and standard cabinet body widths
- ▶ Length 2000 mm
- ▶ Powder coated aluminium

Nominal height mm	Order no. / surface finish		PU
	white	anthracite	
187	9 257 664	9 257 665	1 ea.

### 7 B Set of connectors for customisable front panel, height 187 mm, for use with drawer side profile



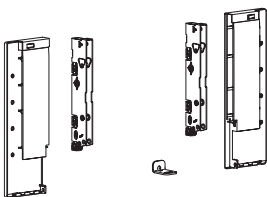
- ▶ **7 A** Support profile for customisable internal front panel must be ordered separately
- ▶ For combining with 10 mm glass inlay or any chosen material
- ▶ With premounted drawer front connector
- ▶ Powder coated steel

Set comprises:

- ▶ 1 connector for customisable internal front panel, left and right
- ▶ 1 drawer front connector for drawer side profile, left and right
- ▶ 1 stabiliser for front panel
- ▶ Fixing material

Nominal height mm	Order no. / surface finish		PU
	white	anthracite	
187	9 257 652	9 257 653	1 set

### 7 C Connector for customisable front panel, height 187 mm, for use with Inlay drawer side profile



- ▶ **7 A** Support profile for customisable internal front panel must be ordered separately
- ▶ For combining with 10 mm glass inlay or any chosen material
- ▶ With premounted drawer front connector
- ▶ Powder coated steel

Set comprises:

- ▶ 1 connector for customisable internal front panel, left and right
- ▶ 1 front connector for Inlay drawer side profile, left and right
- ▶ 1 stabiliser for front panel
- ▶ Fixing material

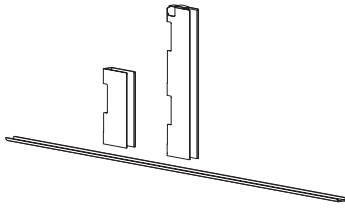
Nominal height mm	Order no. / surface finish		PU
	white	anthracite	
187	9 257 658	9 257 659	1 set

AVAILABLE LATE 2021

## AvanTech YOU double walled drawer system

- ▶ Customisable front panel for internal pot-and-pan drawer
- ▶ Drawer side profile height 187 mm

### Adapter for customisable internal front panel



- ▶ For using material in a thickness of 8 mm
- ▶ Plastic

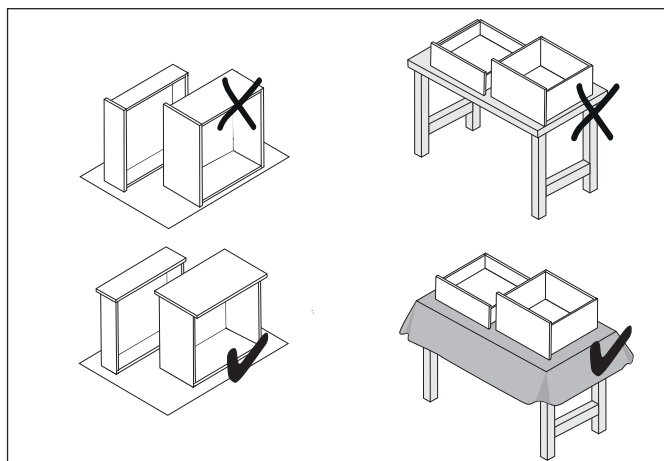
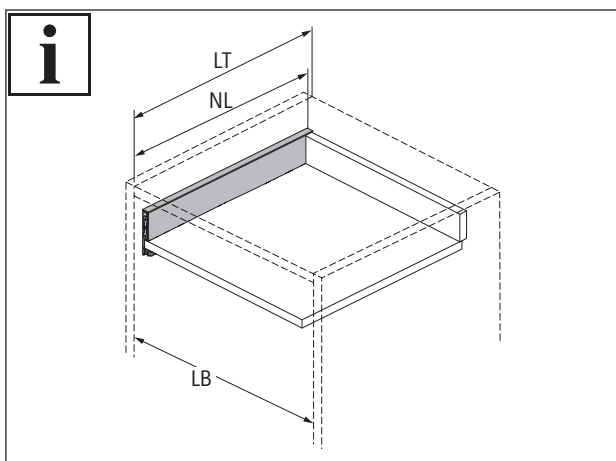
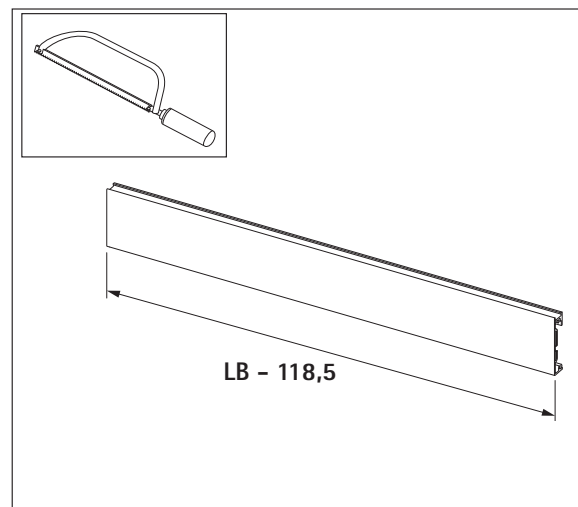
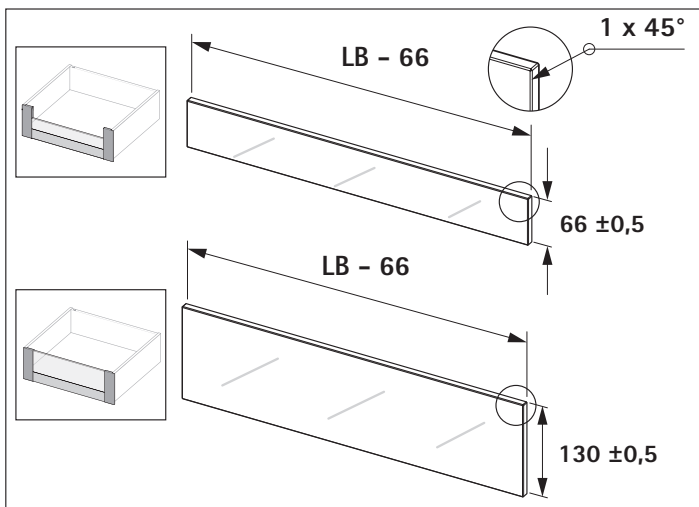
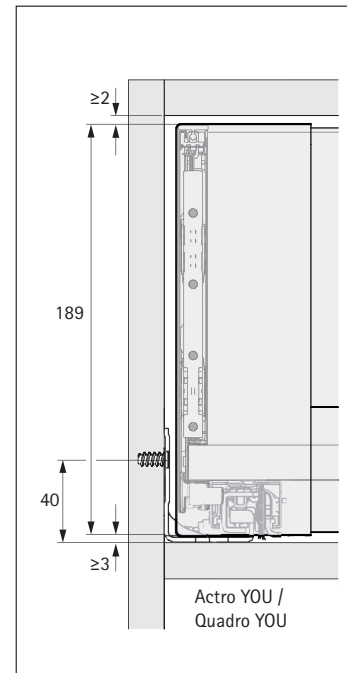
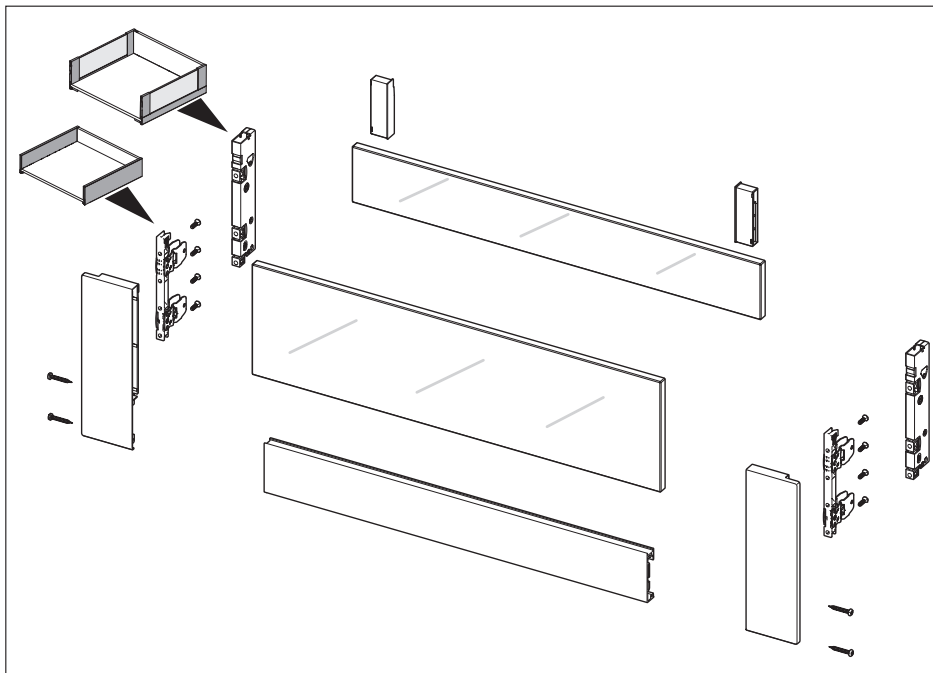
Article	Order no. / colour		PU
	white	anthracite	
full height insert	9 283 173	9 283 174	2 ea.
half height insert	9 283 176	9 283 177	2 ea.

- ▶ [Technical / planning instructions found on the following page](#)

# AvanTech YOU double walled drawer system

- ▶ Customisable front panel for internal pot-and-pan drawer
- ▶ Drawer side profile height 187 mm

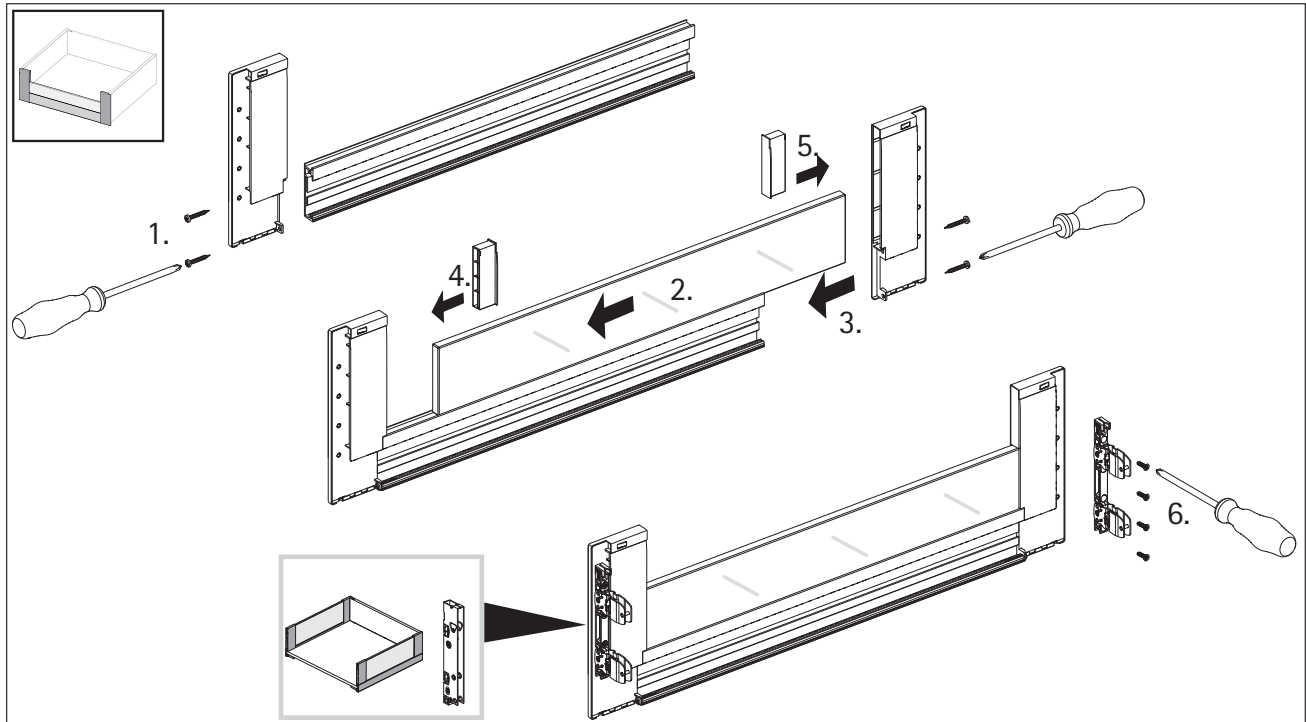
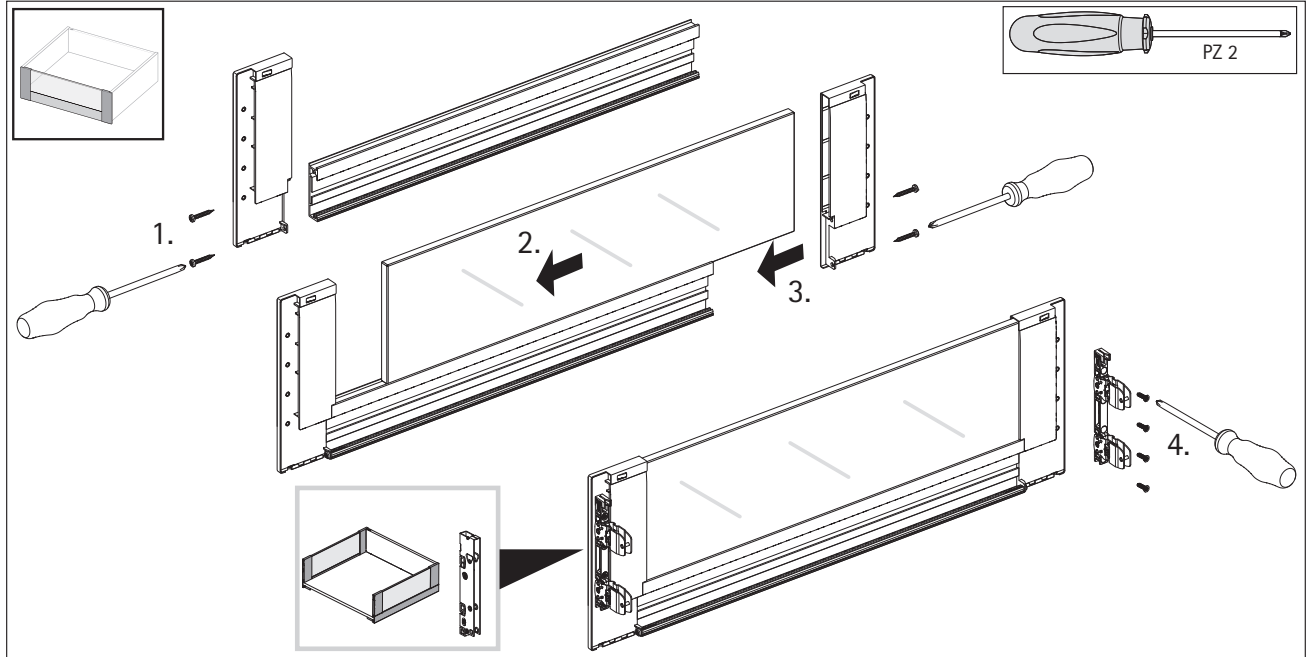
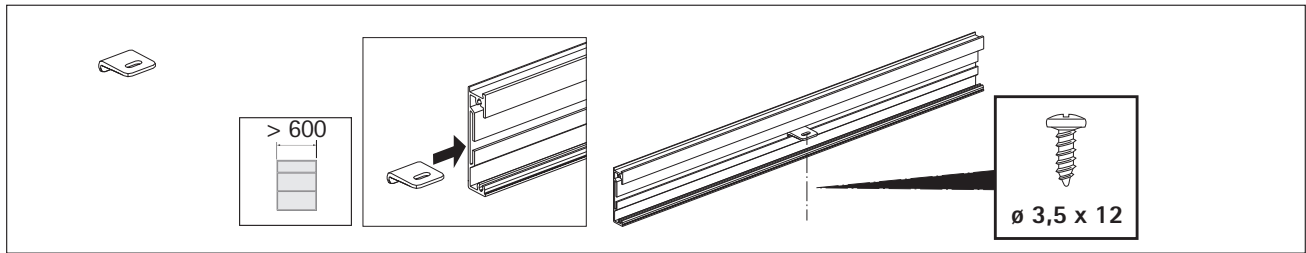
## Planning / installation dimensions



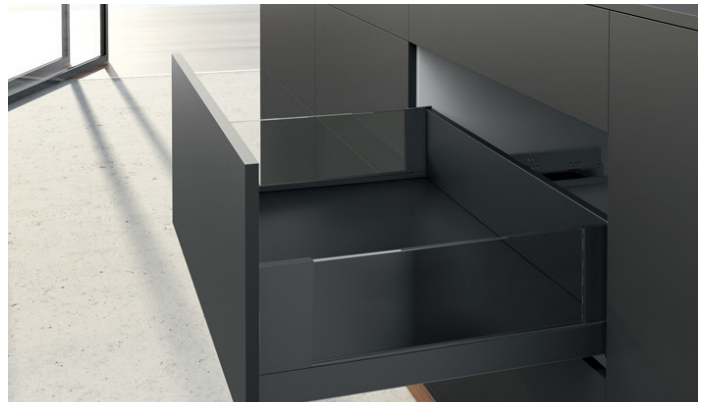
# AvanTech YOU double walled drawer system

- ▶ Customisable front panel for internal pot-and-pan drawer
- ▶ Drawer side profile height 187 mm

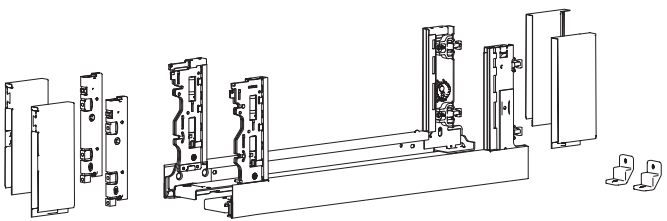
## Planning / installation dimensions



- ▶ Inlay Pot-and-pan drawer, height 187 mm
- ▶ Powder coated steel, white and anthracite



## 1 Inlay drawer side profile set, height 187 mm



- ▶ Integrated vertical, lateral and tilt adjustment
- ▶ Steel, powder coated

Set comprises:

- ▶ 1 inlay drawer side profile, left and right
- ▶ 2 drawer front connectors for Inlay drawer side profile for screwing on
- ▶ 2 rear panel stabilisers
- ▶ Fixing material

Note:

- ▶ Customised material used for the inlay, such as the glass seen in these images, is not included as part of the set
- ▶ Suitable for use with materials in a thickness of 10 mm
- ▶ Materials of 8 mm may also be used but required an adaptor (see below)

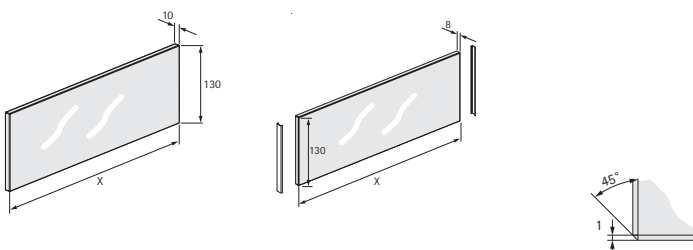
Nominal length mm	Order no. / surface finish		PU
	white	anthracite	
350	9 257 180	9 257 187	1 set
400	9 257 181	9 257 188	1 set
450	9 257 182	9 257 189	1 set
500	9 257 183	9 257 190	1 set
550	9 257 184	9 257 191	1 set
600	9 257 185	9 257 192	1 set

## Adapter for Inlay drawer side profile



- ▶ For using materials in a thickness of 8 mm
- ▶ 2 adapters are required for each drawer side profile
- ▶ Plastic, grey

## Planning / installation dimensions



	10mm	8mm
NL mm	X mm	X mm
350	227	225
400	277	275
450	327	325
500	377	375
550	427	425
600	477	475
650	527	525



- ▶ Inlay Pot-and-pan drawer, height 187 mm
- ▶ Powder coated steel, white and anthracite

### Planning / installation dimensions

\* All dimensions identical for Actro YOU and Quadro YOU

Dimension	mm
BL	NL - 21
BB	LB - 24
RB	LB - 24
LT	NL + 3
LT	Internal drawer / internal pot-and-pan drawer
LT	Internal drawer / internal pot-and-pan drawer Push to open Push to open Silent

BB Bottom panel width	KB Cabinet body width	NL Nominal length	LB Clear inside width
BL Bottom panel length	RB Rear panel width	KD Cabinet body side thicknesses	LT Clear inside depth

### Positions for attaching Actro YOU / Quadro YOU drawer runner

AvanTech YOU Drawer / pot-and-pan drawer  
 Cabinet body front edge  
 0 37  
 9 32  
 -3 - 4 mm Push to open Silent

AvanTech YOU Internal drawer / internal pot-and-pan drawer  
 Cabinet body front edge  
 37 32  
 9 32  
 Cabinet body front edge Push to open Silent  
 Push to open

Nominal Length mm	Hole spacing mm	
	b1	b2
350	224	
400	224	
450	256	288
500	256	320
550	256	320
600	256	320

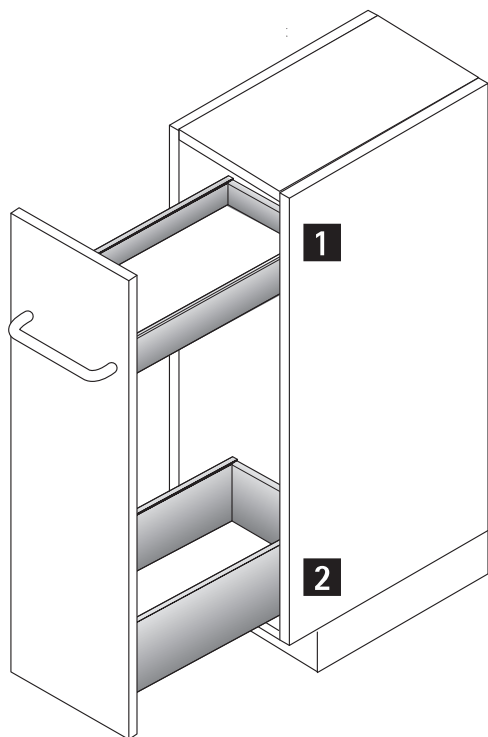
# AvanTech YOU double walled drawer system

## ▶ Building a narrow base unit



- ▶ Cabinet body height 750 mm max.
- ▶ Cabinet body width 300 mm max.
- ▶ Actro YOU / Quadro YOU drawer runner is required on the left and right, mounted diagonally
- ▶ Total load capacity 20 kg max.
- ▶ Other configurations are also possible

### Example application



No.	Application	see pages
1	AvanTech YOU drawer	10
	Actro YOU with Silent System	38
	Quadro YOU with Silent System	44
2	AvanTech YOU pot-and-pan drawer	14
	Actro YOU with Silent System	38
	Quadro YOU with Silent System	44

# AvanTech YOU double walled drawer system

## ► Building a tall unit

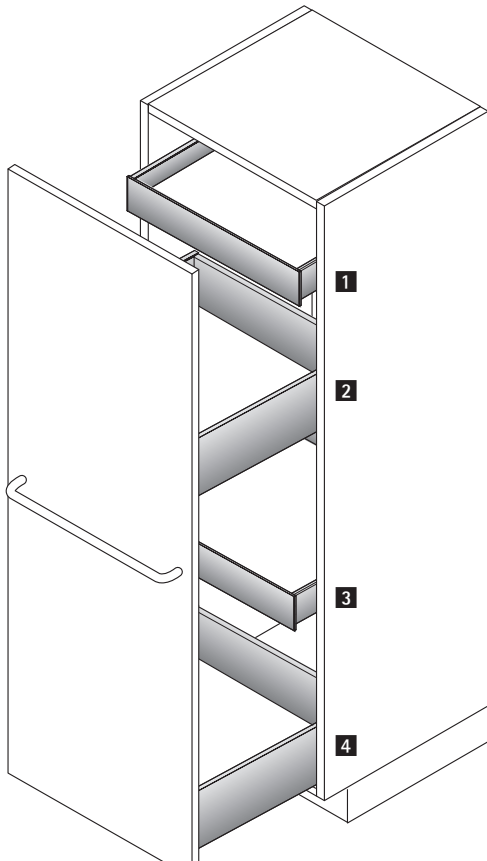


For individual cabinet body heights and widths

- Optimum use of storage space
- Recommended cabinet body widths 300 - 600 mm
- Other configurations are also possible

Note: Inlay drawer options available 2021

### Example application



No.	Application	see pages
1	AvanTech YOU internal drawer	18
	Actro YOU with Silent System	38
	Quadro YOU with Silent System	44
2	AvanTech YOU pot-and-pan drawer	14
	Actro YOU with Silent System	38
	Quadro YOU with Silent System	44
3	AvanTech YOU internal drawer	18
	Actro YOU with Silent System	38
	Quadro YOU with Silent System	44
4	AvanTech YOU pot-and-pan drawer	14
	Actro YOU with Silent System	38
	Quadro YOU with Silent System	44

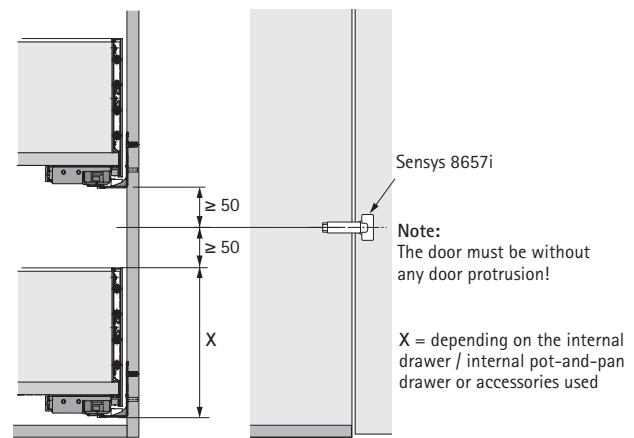
# AvanTech YOU double walled drawer system

## ► Building a pantry unit

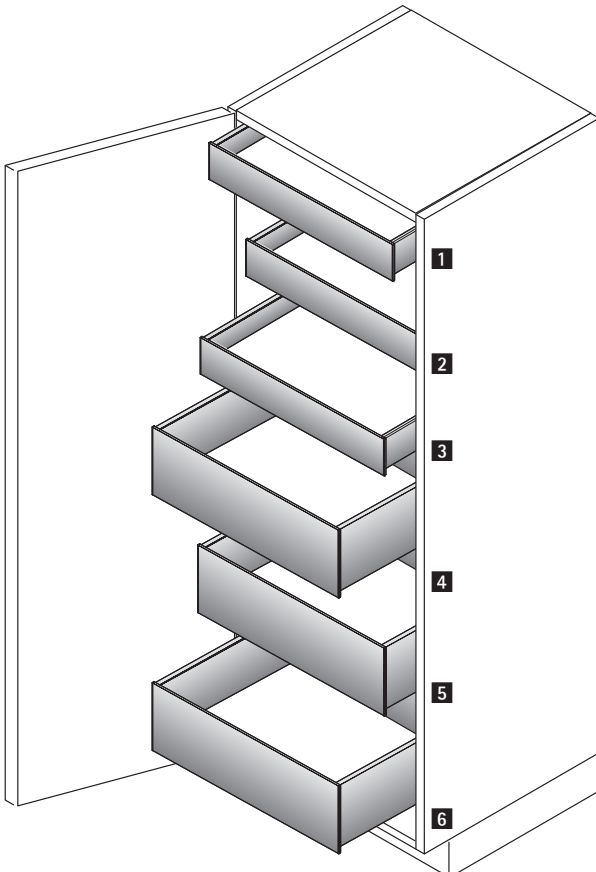


For individual cabinet body heights and widths

- Optimum use of storage space
- Recommended cabinet body widths: 450 - 1200 mm, with 2 hinged doors for cabinet bodies wider than 600 mm
- Recommended hinge: Sensys 8657i fast assembly concealed hinge
- Other configurations are also possible



### Example application

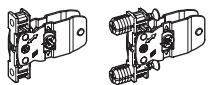


No.	Application	see pages
1	AvanTech YOU internal drawer	18
	Actro YOU with Silent System	38
	Quadro YOU with Silent System	44
2	AvanTech YOU internal drawer	18
	Actro YOU with Silent System	38
	Quadro YOU with Silent System	44
3	AvanTech YOU internal drawer	18
	Actro YOU with Silent System	38
	Quadro YOU with Silent System	44
4	AvanTech YOU internal pot-and-pan drawer	18
	Actro YOU with Silent System	38
	Quadro YOU with Silent System	44
5	AvanTech YOU internal pot-and-pan drawer	18
	Actro YOU with Silent System	38
	Quadro YOU with Silent System	44
6	AvanTech YOU internal pot-and-pan drawer	18
	Actro YOU with Silent System	38
	Quadro YOU with Silent System	44

# AvanTech YOU double walled drawer system

## ► Ordering additional or replacement parts for drawer sets

### 3 A Drawer front connector for drawer side profile, height 101 mm



- For screwing on or knocking in
- Steel

Mounting option	Order no.	PU
for screwing on	<b>9 255 835</b>	1/200 ea.
for knocking in	<b>9 255 836</b>	1/200 ea.

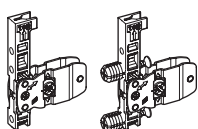
### 5 Rear panel stabiliser



- For wooden and aluminium rear panels
- 1 each for cabinet body width < 600 mm;
- 2 each ≥ 600 mm;
- 3 each ≥ 800 mm;
- 5 each = 1200 mm
- Plastic

Order no.	PU
<b>9 257 702</b>	1/200 ea.

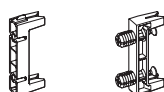
### 3 A Drawer front connector for drawer side profile, height 139 mm



- For screwing on or knocking in
- Steel

Mounting option	Order no.	PU
for screwing on	<b>9 257 884</b>	1/200 ea.
for knocking in	<b>9 257 885</b>	1/200 ea.

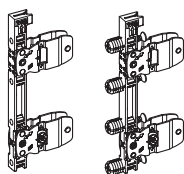
### 3 C Drawer front connector side profile, stabiliser, height 251 mm



- For screwing on or knocking in
- Plastic, anthracite

Mounting option	Order no.	PU
for screwing on	<b>9 257 887</b>	1/50 ea.
for knocking in	<b>9 257 888</b>	1/50 ea.

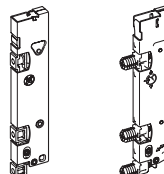
### 3 A Drawer front connector for drawer side profile, height 187 / 251 mm



- For screwing on or knocking in
- Steel

Mounting option	Order no.	PU
for screwing on	<b>9 255 838</b>	1/200 ea.
for knocking in	<b>9 255 839</b>	1/200 ea.

### 3 B Drawer front connector for Inlay drawer side profile, height 187 mm

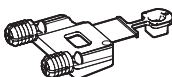


- For screwing on or knocking in
- Steel

**AVAILABLE LATE 2021**

Mounting option	Order no.	PU
for screwing on	<b>9 257 257</b>	1/200 ea.
for knocking in	<b>9 257 258</b>	1/200 ea.

### 4 A Front stabiliser



- For stabilising wide and / or high front panels
- Recommended for use in cabinet body widths 600 mm and over and / or front panel heights of 450 mm
- Plastic, anthracite

Order no.	PU
<b>9 123 080</b>	1/150 ea.

# AvanTech YOU double walled drawer system

- ▶ Screws for installation
- ▶ Connection for front panels from 10 mm

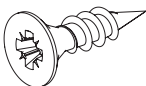
## Direct fixing screws



- ▶ Countersunk head
- ▶ Pozidrive screw
- ▶ Steel

Dimensions mm	Finish	Order no.	PU
ø 6,3 x 14	nickel plated	<b>0 047 452</b>	200 ea.

## Chipboard screws / countersunk head



- ▶ Countersunk head
- ▶ Pozidrive screw
- ▶ Steel

Dimensions mm	Finish	Order no.	PU
ø 3,5 x 12	nickel plated	<b>9 079 791</b>	200 ea.
ø 3,5 x 16	nickel plated	<b>0 071 925</b>	200 ea.
ø 4 x 16	nickel plated	<b>0 010 085</b>	200 ea.

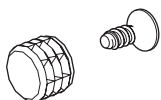
## Chipboard screws / panhead



- ▶ Panhead
- ▶ Pozidrive screw
- ▶ Steel

Dimensions mm	Finish	Order no.	PU
ø 3,5 x 6,5	galvanised	<b>9 278 225</b>	200 ea.
ø 3,5 x 12	galvanised	<b>0 045 167</b>	200 ea.
ø 3,5 x 20	galvanised	<b>0 045 168</b>	200 ea.
ø 3,5 x 30	galvanised	<b>9 278 224</b>	200 ea.

## For H101 / H139 / H187 / H251 / Inlay drawers\* with thin front panels



Order no.	PU
<b>9 268 149</b>	1 set

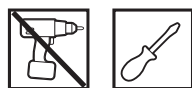
- ▶ For front panel thickness from 10 mm
- ▶ For use with screw on front connectors

Set comprises:

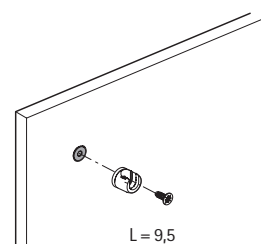
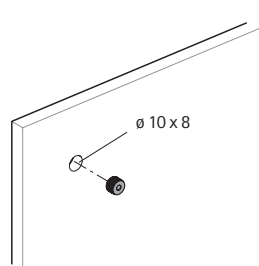
- ▶ 10 sockets, ø 10 x 8 mm
- ▶ 10 self tapping screws, ø 3.5 x 16 mm

## Installation

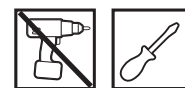
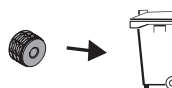
### Chipboard, MDF



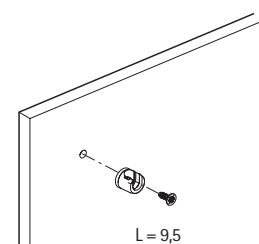
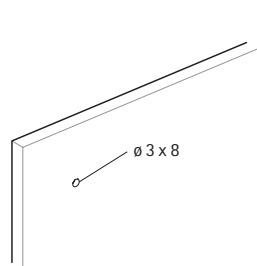
≤ 1,5 Nm



### Solid surface materials / HPL



≤ 1,9 Nm







## AvanTech YOU is for changing design possibilities

The AvanTech YOU drawer system provides a huge amount of design flexibility in terms of colour, shape and material.

Design profiles or DesignCapes are installed with an easy click for a customised accent. AvanTech YOU Inlay, the elegant drawer side profile with the inlay of your choice, offers alternative, impactful design choices.

Printing your logo on the drawer side profile is a signature on a great creation.

With the option of using any chosen materials, your living space stands apart.



### 13 Branding clip



- Available on request with any chosen imprint or customer logo
- For clipping on
- Plastic, foil wrapped

Finish	Order no.	PU
white with Hettich logo	9 257 704	1 ea.
anthracite with Hettich logo	9 257 705	1 ea.

### 2 A Design profile



- Any chosen top edge for drawer side profile
- For clipping on
- Plastic, solid coloured

Nominal length mm	Order no. / surface finish		PU
	white	anthracite	
350	9 255 815	9 255 824	1/200 ea.
400	9 255 816	9 255 825	1/200 ea.
450	9 255 817	9 255 826	1/200 ea.
500	9 255 818	9 255 827	1/200 ea.
550	9 255 819	9 255 828	1/200 ea.
600	9 255 820	9 255 829	1/200 ea.

### 2 B Design profile, foil wrapped



- Any chosen top edge for drawer side profile
- For clipping on
- Plastic, foil wrapped

Nominal length mm	Order no. / surface finish					PU
	aluminium	stainless steel	chrome	oak	walnut	
350	9 255 761	9 255 770	9 255 779	9 255 788	9 255 797	1/100 ea.
400	9 255 762	9 255 771	9 255 780	9 255 789	9 255 798	1/100 ea.
450	9 255 763	9 255 772	9 255 781	9 255 790	9 255 799	1/100 ea.
500	9 255 764	9 255 773	9 255 782	9 255 791	9 255 800	1/100 ea.
550	9 255 765	9 255 774	9 255 783	9 255 792	9 255 801	1/100 ea.
600	9 255 766	9 255 775	9 255 784	9 255 793	9 255 802	1/100 ea.

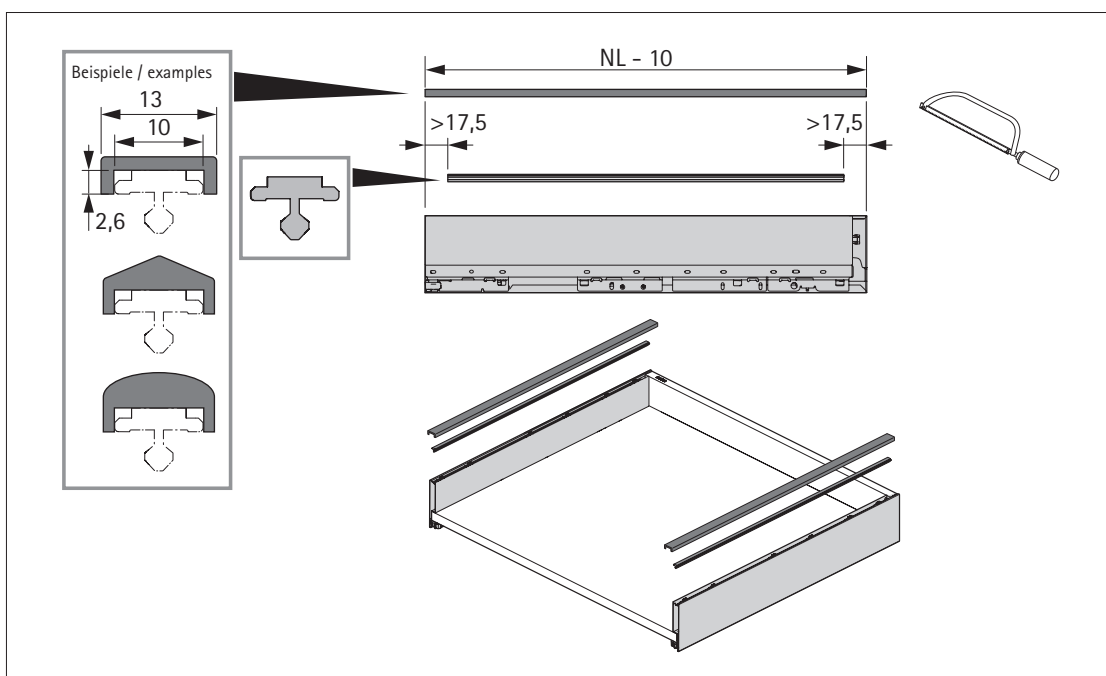
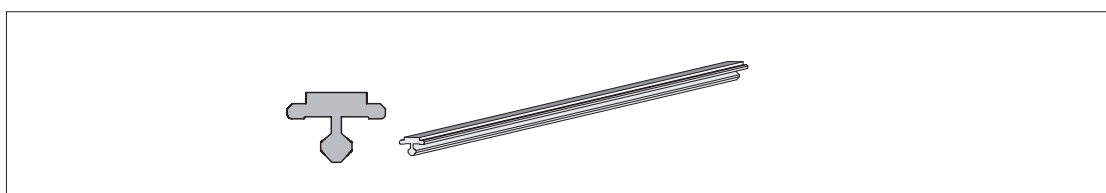
### 2 C Customisable design profile



- Support for any chosen versions of the design profile
- Length 2000 mm
- For clipping on
- Grey plastic with adhesive strip

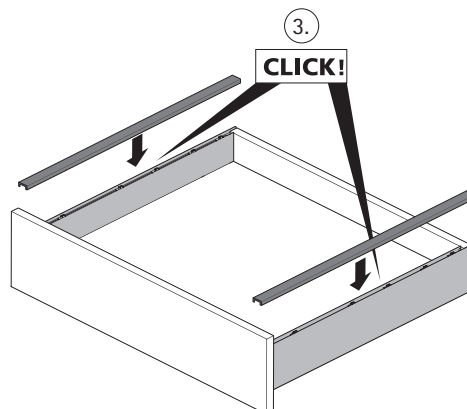
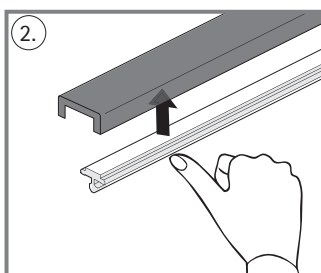
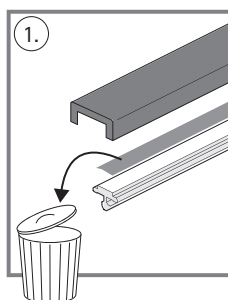
Order no.	PU
9 255 831	1 ea.

### Planning / installation dimensions

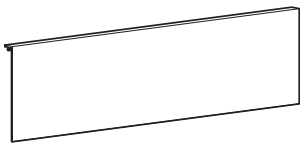


#### Recommendations for the prevention of errors during bonding

- Surfaces must be clean, dry, grease and dust free
- To be used only after complete drying
- Adhesive pads press firmly.



### 12 DesignCape



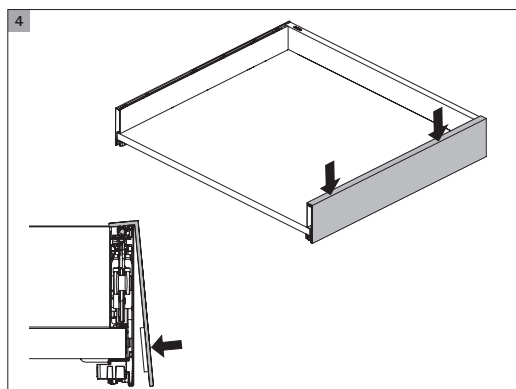
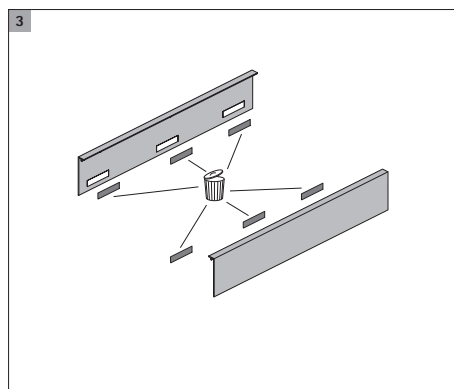
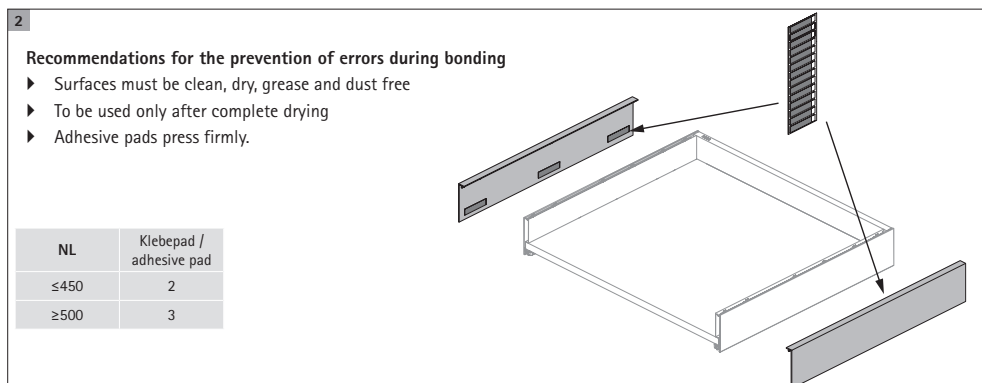
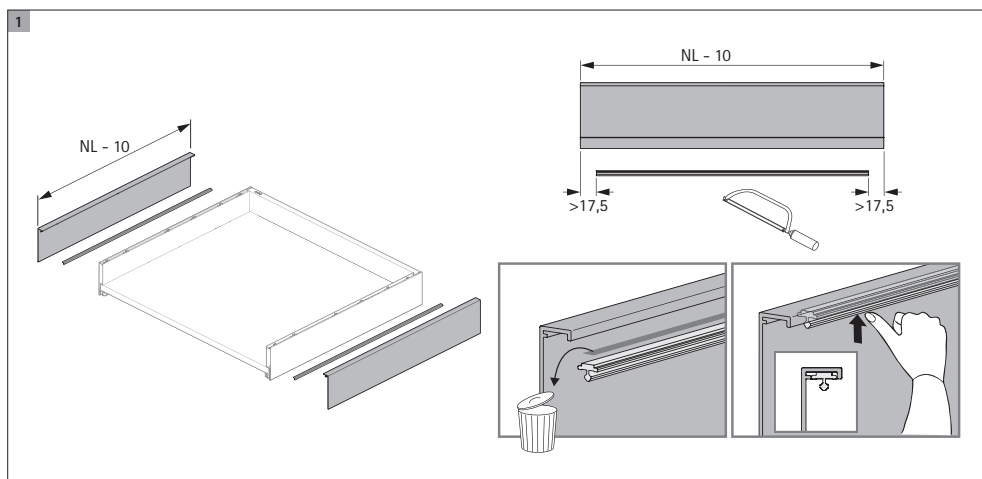
- For clipping on
- Length 2000 mm
- Aluminium

Set comprises:

- Aluminium profile
- Fixing material

Nominal height mm	Order no. / surface finish		PU
	aluminium look	stainless steel look	
101	9 257 643	9 257 647	1 ea.
139	9 257 644	9 257 648	1 ea.
187	9 257 645	9 257 649	1 ea.

### Planning / installation dimensions





### **One drawer, two runners**

One drawer system, two runner options. An identical drilling pattern makes it possible to meet a much broader range of requirements using a single system.

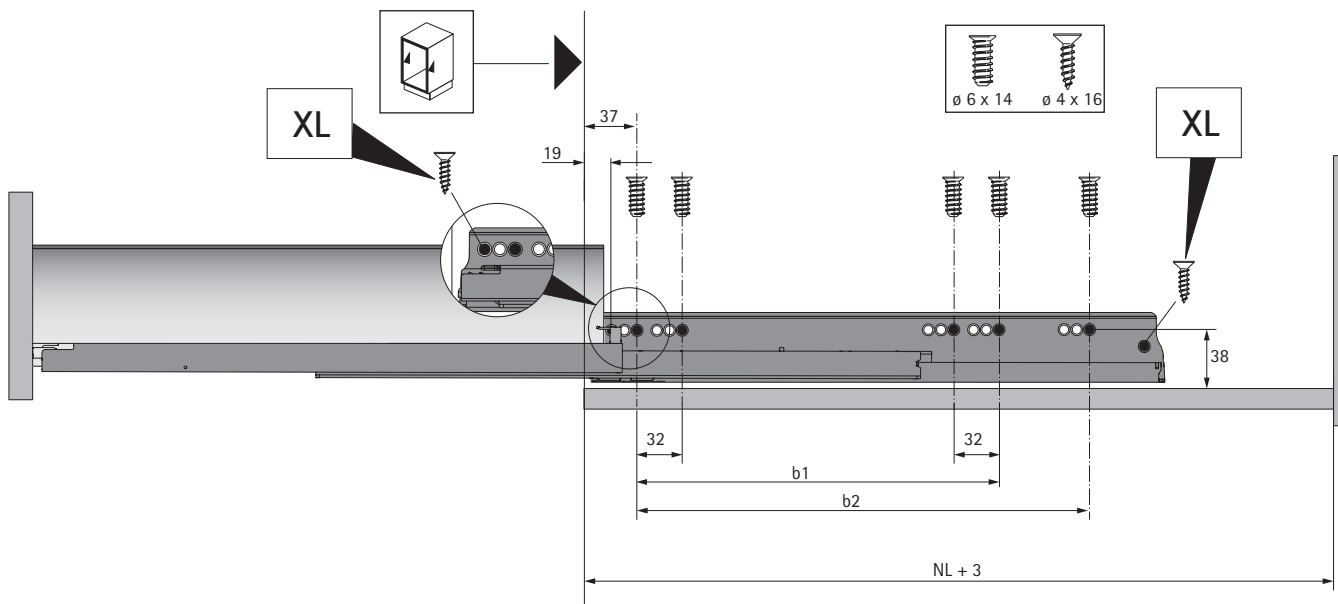
The runner is the basis for superior performance, as a smooth, durable function is the most valuable, heavily utilised element of a premium drawer.

Both AvanTech YOU runner options can also be applied to wooden drawers.

# AvanTech YOU double walled drawer system

## ► AvanTech YOU Runners

### Planning / installation dimensions

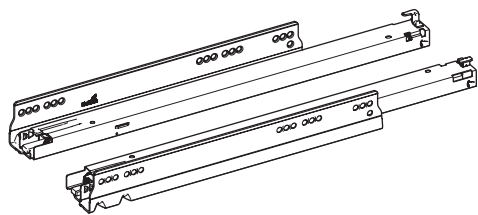


NLmm	Actro YOU Quadro YOU	Actro YOU XL	Quadro YOU		Actro YOU		
	b1	b2	XS	M	XS	L	XL
350	224						
400	224						
450	256	288					
500	256	320					
550	256	320					
600	256	320					

# AvanTech YOU double walled drawer system

## ▶ Actro YOU drawer runner with Silent System

### 11 | A Actro YOU drawer runner with Silent System



- ▶ Full extension runner for combining with AvanTech YOU system drawer or wooden drawer with catches
- ▶ Integrated Silent System
- ▶ Optionally upgradable with Push to open Silent
- ▶ Load capacity XS / L / XL (10 / 40 / 70 kg)
- ▶ Load capacity to EN 15338, Level 3
- ▶ Galvanised steel

#### Load class XS (10 kg)

Nominal length	Order no.	PU
350	9 256 971	1 set

#### Load class L (40 kg)

Nominal length	Order no.	PU
350	9 257 002	1 set
400	9 257 004	1 set
450	9 257 006	1 set
500	9 257 008	1 set
550	9 257 010	1 set
600	9 268 681	1 set

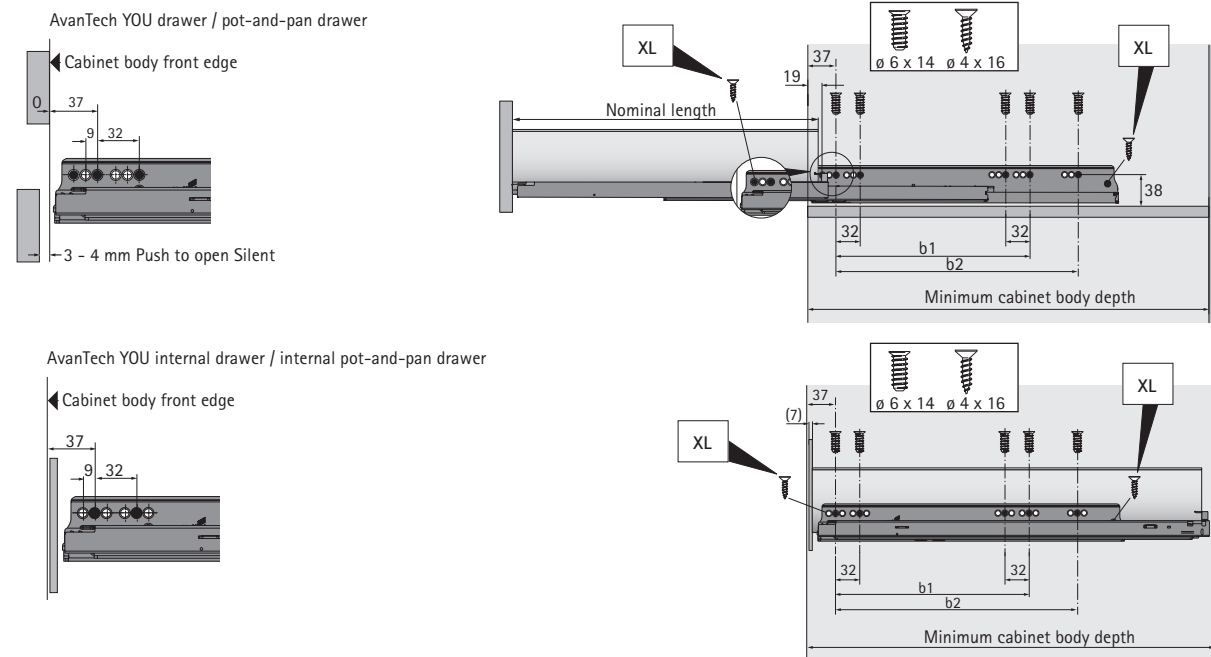
#### Load class XL (70 kg)

Nominal length	Order no.	PU
450	9 257 034	1 set
500	9 257 036	1 set
550	9 257 038	1 set
600	9 257 040	1 set

# AvanTech YOU double walled drawer system

## ▶ Actro YOU drawer runner with Silent System

### Lengthwise cross-section



### Installation dimensions with Silent System / Push to open Silent

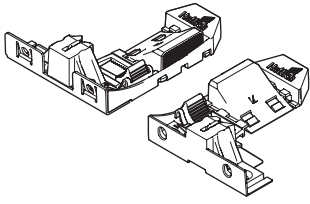
Nominal length mm	Hole spacing b1 mm	Hole spacing b2 mm**	Drawer / pot-and-pan drawer Minimum cabinet body depth mm	Internal drawer / internal pot-and-pan drawer Minimum cabinet body depth mm	
				without Push to open Silent	with Push to open Silent
350	224		353	362	371
400	224		403	412	421
450	256	288	453	462	471
500	256	320	503	512	521
550	256	320	553	562	571
600	256	320	603	612	621

\*\* Hole spacing b2 for Actro XL only

# AvanTech YOU double walled drawer system

- ▶ Actro YOU drawer runner with Silent System
- ▶ Application for wooden drawers

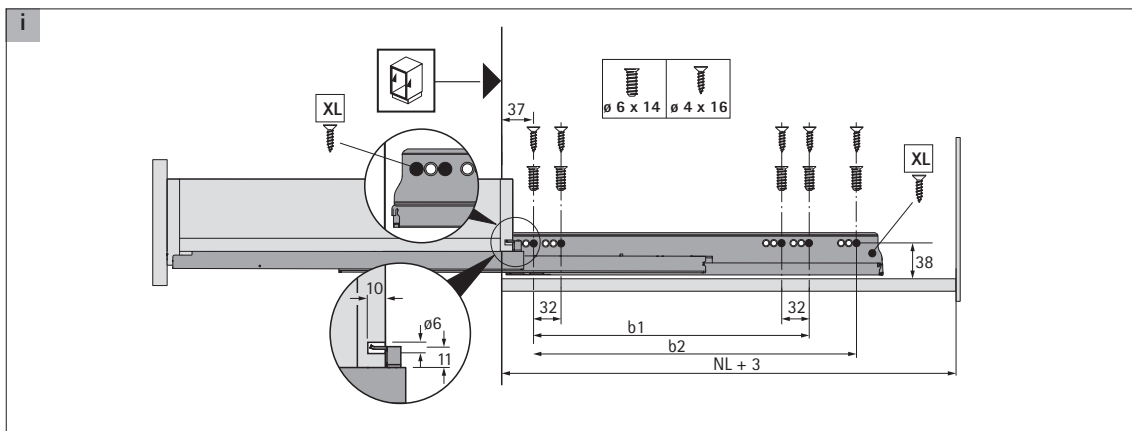
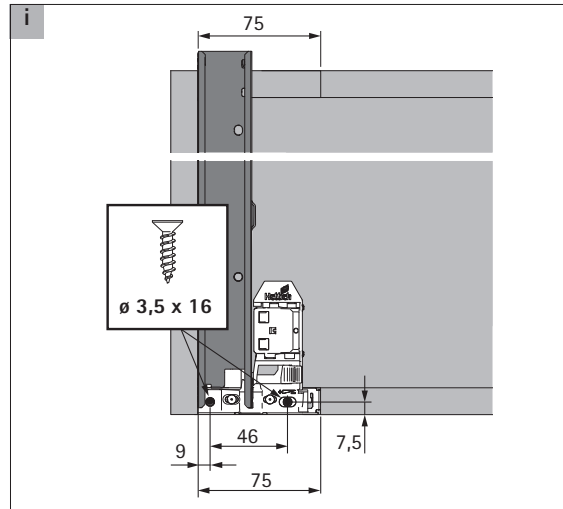
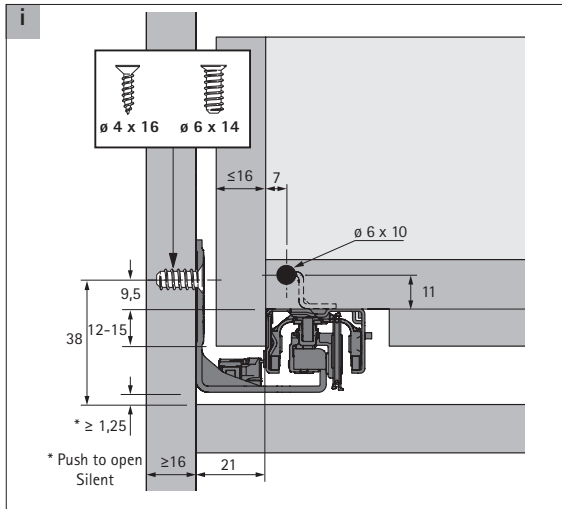
## Actro YOU catch



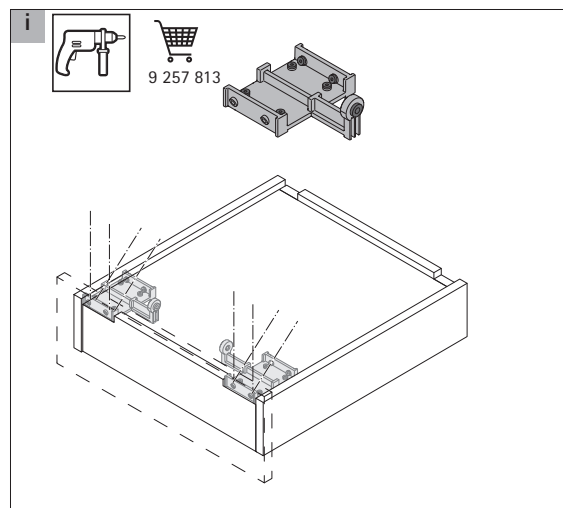
- ▶ For using Actro YOU with wooden drawers
- ▶ Height adjustment up to + 3 mm
- ▶ Zinc die-cast / plastic

Cabinet side	Order no.	PU
left / right	9 257 265	1 pair

## Planning / installation dimensions



NL mm	b1 mm	b2 mm (XL 70 kg)	XS 10 kg	L 40 kg	XL 70 kg
270	160				
300	160				
350	224				
400	224				
450	256	288			
500	256	320			
550	256	320			
600	256	320			
650	256	416			

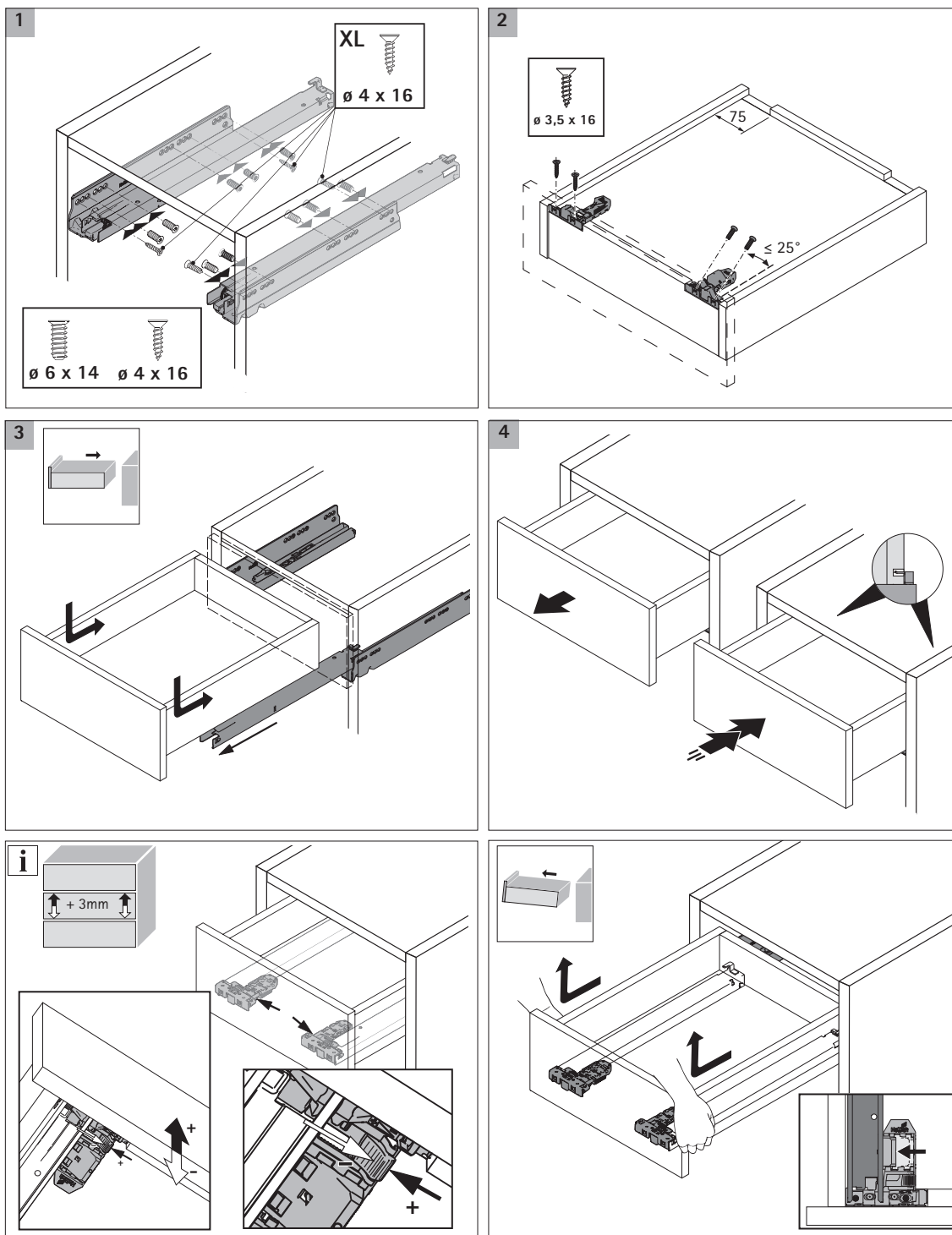




# AvanTech YOU double walled drawer system

- ▶ Actro YOU drawer runner with Silent System
- ▶ Application for wooden drawers

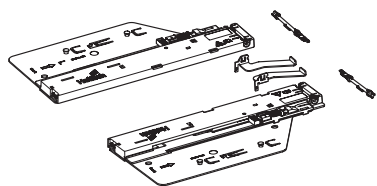
## Planning / installation dimensions



# AvanTech YOU double walled drawer system

## ► Push to open Silent opening system for Actro YOU

### Push to open Silent opening system for Actro YOU



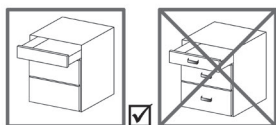
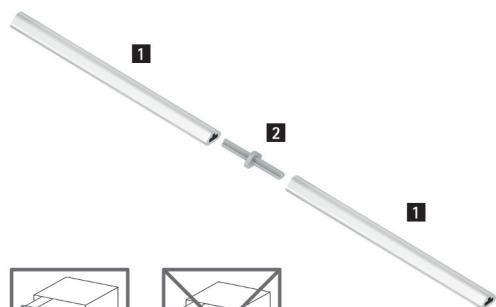
- Can be used with AvanTech YOU system drawer on Actro YOU drawer runner with Silent System
- Optional synchronisation possible

Set comprises:

- 1 Push to open Silent unit, left and right
- 1 activator, left and right
- 2 adapters for synchronisation

Total weight kg	Load class Actro	Nominal length mm	Order no.	PU
< 10	XS (10 kg)	270 - 350	<b>9 257 890</b>	1 set
8 - 20	L (40 kg)	350 - 550	<b>9 257 891</b>	1 set
10 - 40	L (40 kg)	350 - 550	<b>9 257 892</b>	1 set
20 - 70	XL (70 kg)	400 - 650	<b>9 257 893</b>	1 set

### Optional synchronisation for Push to open Silent



- Recommended for cabinet body widths 600 mm and over

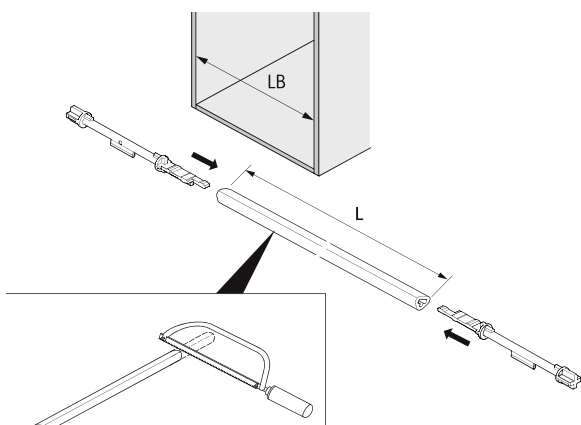
Synchronisation bar:

- For cutting to length
- Length 2000 mm
- Aluminium anodised

Connector:

- For connecting 2 synchronisation bars
- Plastic, grey

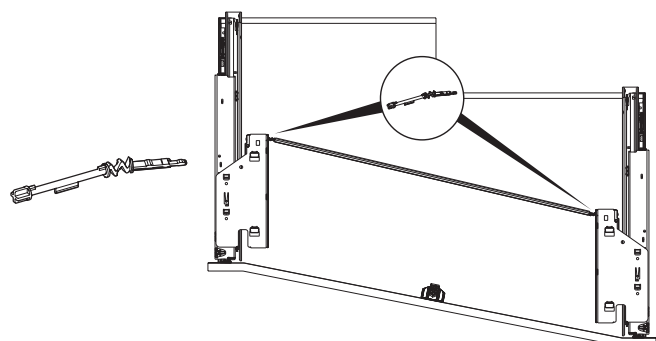
Article	Order no.	PU
<b>1</b> Synchronisation bar	<b>9 236 718</b>	1/100 ea.
<b>2</b> Connectors	<b>9 221 295</b>	1/20 ea.



**Actro YOU**

**LB = LB - 219**

### Optional flexible adapter for synchronisation / multisynchronisation



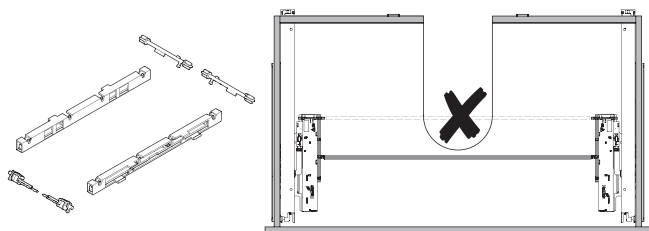
- For use in conjunction with lowered drawer runners (angled fronts)
- Replaces the adapter for synchronisation in the Push to open Silent set

Order no.	PU
<b>9 262 213</b>	1/20 ea.

# AvanTech YOU double walled drawer system

## ► Push to open Silent opening system for Actro YOU

### Optional synchronisation deflector for Push to open Silent

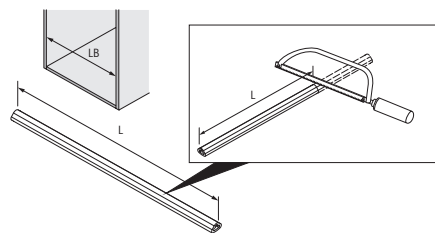


► For moving the synchronisation bar by 50, 90 or 140 mm

Set comprises:

- 2 housings
- 2 adapters for Push to open unit
- 2 adapters for synchronisation bar

Order no.	PU
9 278 453	1 set



**Actro YOU**  
**LB - 247**

### Recommendation for drawer (front panel height up to approx. 150 mm)\*\*

Nominal length mm	Nominal width mm											
	275	300	350	400	500	600	700	800	900	1000	1100	1200
350												
400												
450												
500												
550												
600												

**600 MM AVAILABLE LATE 2021**

### Recommendation for pot-and-pan drawer (front panel height up to approx. 300 mm, medium duty loading)\*\*

Nominal length mm	Nominal width mm											
	275	300	350	400	500	600	700	800	900	1000	1100	1200
350												
400												
450												
500												
550												
600												

**600 MM AVAILABLE LATE 2021**

### Recommendation for pot-and-pan drawer (front panel height up to approx. 300 mm, carrying heavy load, e.g. with stacks of plates)\*\*

Nominal length mm	Nominal width mm											
	275	300	350	400	500	600	700	800	900	1000	1100	1200
350												
400												
450												
500												
550												
600												

**600 MM AVAILABLE LATE 2021**

Order no. Push to open Silent:

**9 257 890**

**9 257 891**

**9 257 892**

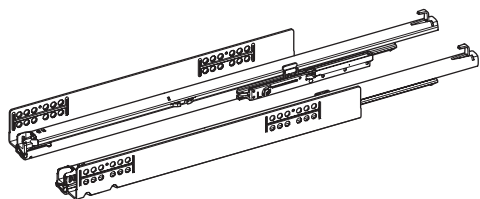
**9 257 893**

\*\* Recommendations for standard applications (front panel 18 mm MDF, normal household loading).

# AvanTech YOU double walled drawer system

## ► Quadro YOU drawer runner with Silent System

### 11 B Quadro YOU drawer runner with Silent System



- Full extension runner for combining with AvanTech YOU system drawer or wooden drawer with catches
- Integrated Silent System
- Optionally upgradable with Push to open Silent
- Load capacity XS / M (10/30 kg)
- Load capacity to EN 15338, Level 3
- Galvanised steel

#### Load class XS (10 kg)

Nominal length	Order no.	PU
350	<b>9 256 956</b>	1 set

#### Load class M (30 kg)

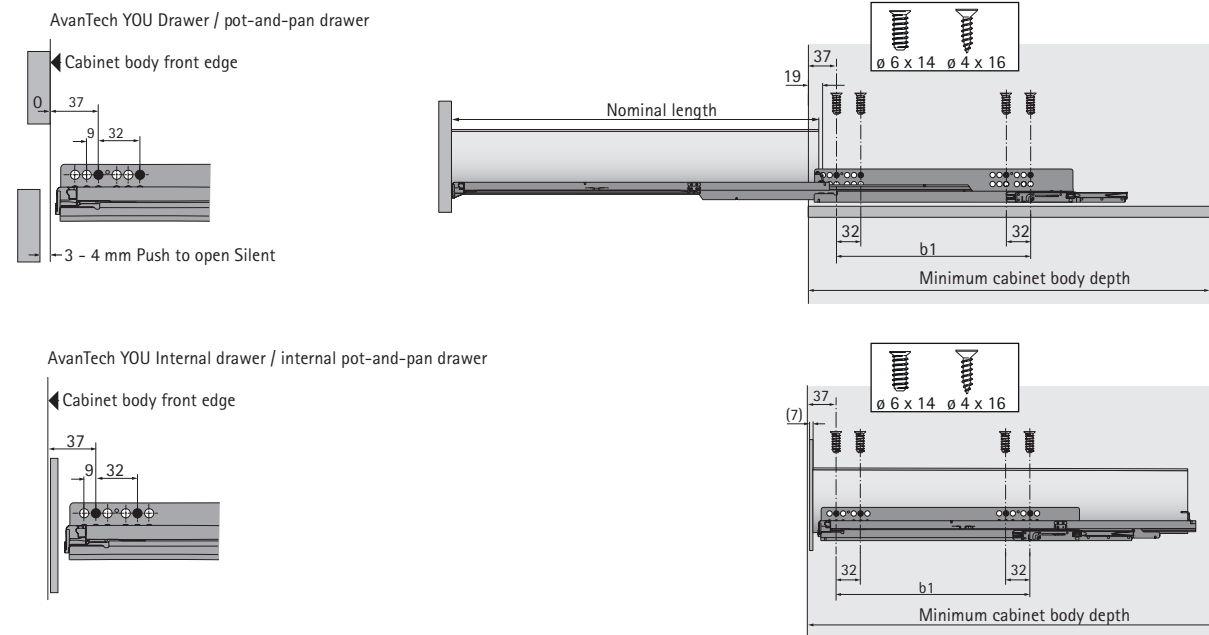
Nominal length	Order no.	PU
350	<b>9 256 886</b>	1 set
400	<b>9 256 888</b>	1 set
450	<b>9 256 890</b>	1 set
500	<b>9 256 892</b>	1 set
550	<b>9 256 894</b>	1 set
600	<b>9 256 896</b>	1 set

AVAILABLE LATE 2021

# AvanTech YOU double walled drawer system

## ► Quadro YOU drawer runner with Silent System

### Lengthwise cross-section



### Installation dimensions with Silent System / Push to open Silent

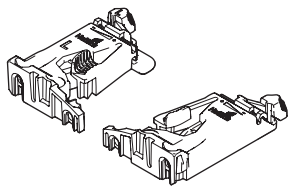
Nominal length mm	Hole spacing b1 mm	Drawer / pot-and-pan drawer Minimum cabinet body depth mm	Internal drawer / internal pot-and-pan drawer Minimum cabinet body depth mm	
			without Push to open Silent	with Push to open Silent
350	224	353	362	371
400	224	403	412	421
450	256	453	462	471
500	256	503	512	521
550	256	553	562	571
600	256	603	612	621

AVAILABLE LATE 2021

# AvanTech YOU double walled drawer system

- ▶ Quadro YOU drawer runner with Silent System
- ▶ Application for wooden drawers

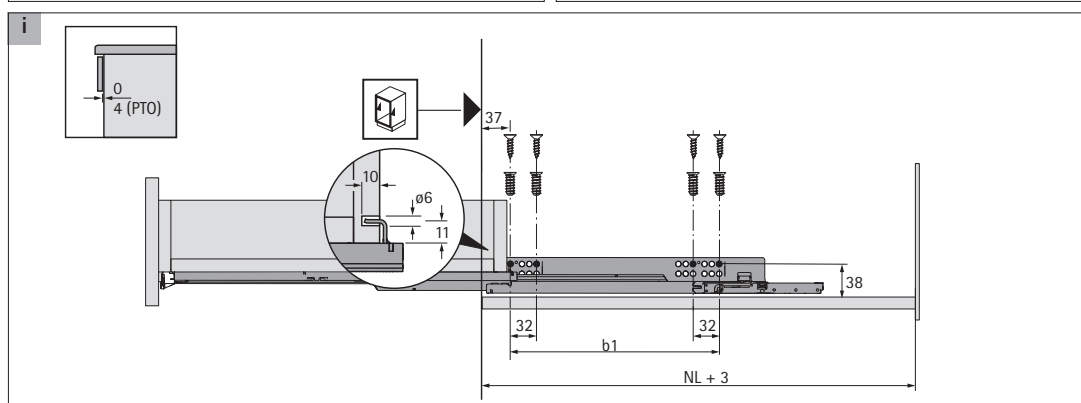
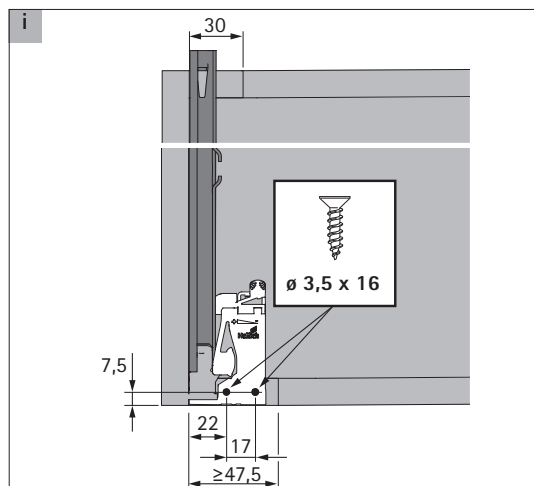
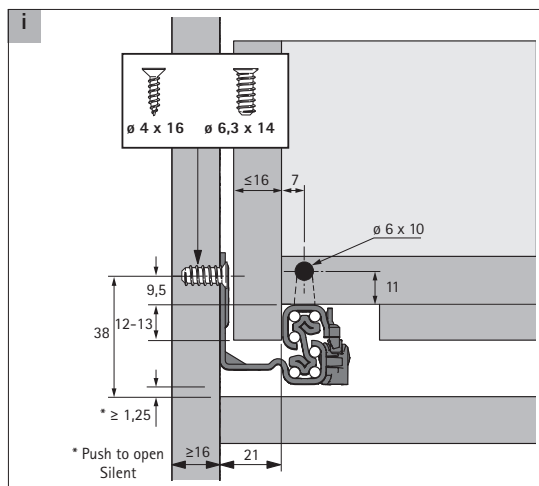
## Quadro YOU catch



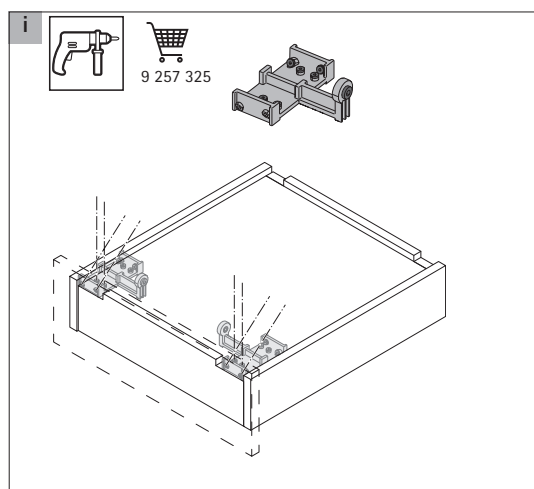
- ▶ For using Quadro YOU with wooden drawers
- ▶ Height adjustment up to + 3 mm
- ▶ Plastic

Cabinet side	Order no.	PU
left / right	9 257 262	1 pair

## Planning / installation dimensions



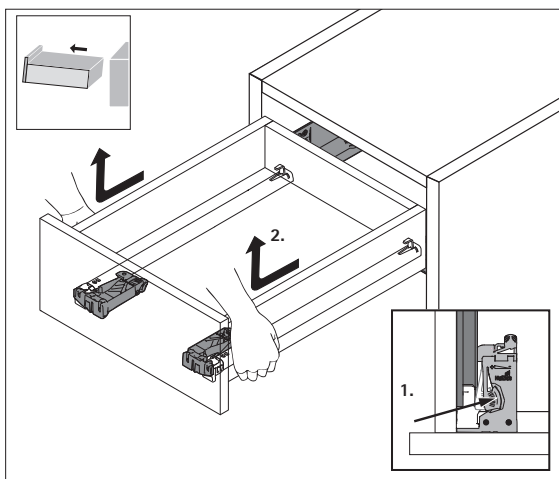
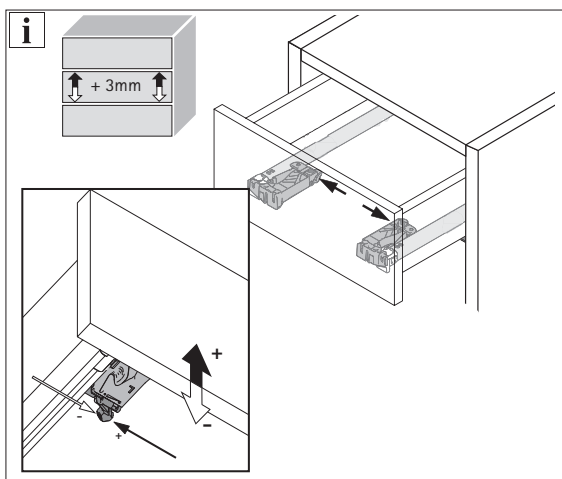
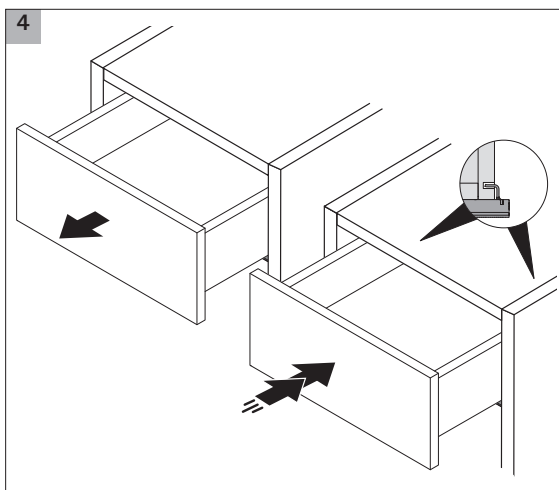
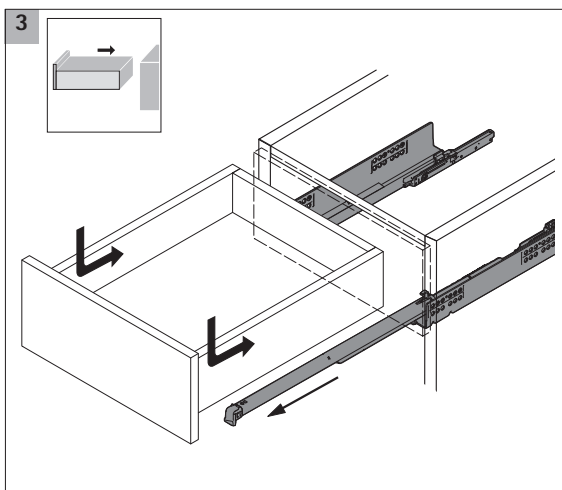
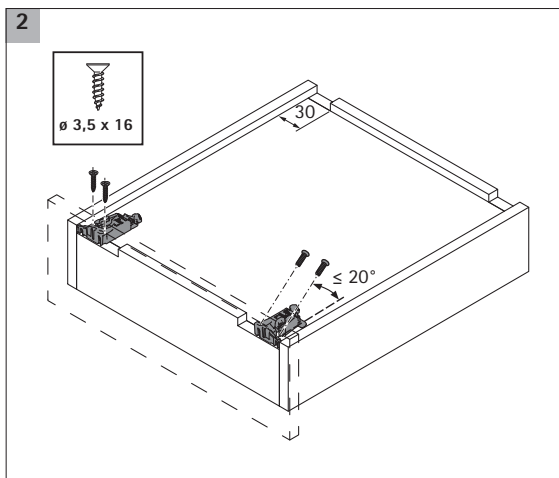
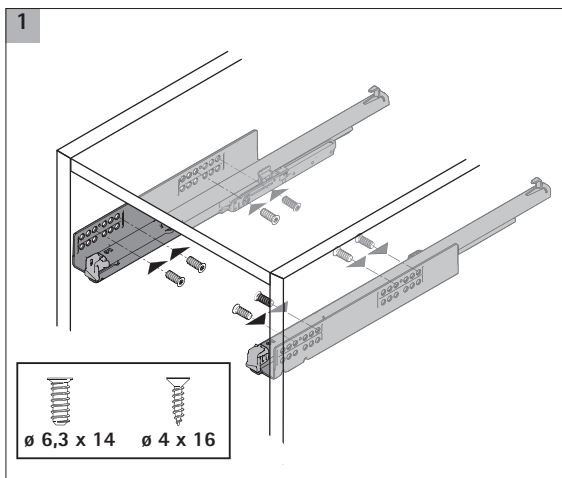
NL mm	b1 mm	XS 10 kg	M 30 kg
270	160		
300	160		
350	224		
400	224		
450	256		
500	256		
550	256		
600	256		



# AvanTech YOU double walled drawer system

- ▶ Quadro YOU drawer runner with Silent System
- ▶ Application for wooden drawers

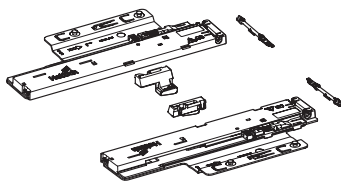
## Planning / installation dimensions



# AvanTech YOU double walled drawer system

## ► Push to open Silent opening system for Quadro YOU

### Push to open Silent opening system for Quadro YOU



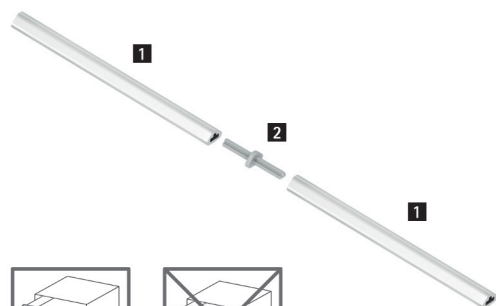
- Can be used with AvanTech YOU system drawer on Quadro YOU drawer runner with Silent System
- Optional synchronisation possible

Set comprises:

- 1 Push to open Silent unit, left and right
- 1 activator, left and right
- 2 adapters for synchronisation

Total weight kg	Load class Quadro	Nominal length mm	Order no.	PU
< 10	XS (10 kg)	270 - 350	<b>9 257 894</b>	1 set
8 - 20	M (30 kg)	350 - 600	<b>9 257 895</b>	1 set
10 - 30	M (30 kg)	350 - 600	<b>9 257 896</b>	1 set

### Optional synchronisation for Push to open Silent



- Recommended for cabinet body widths 600 mm and over

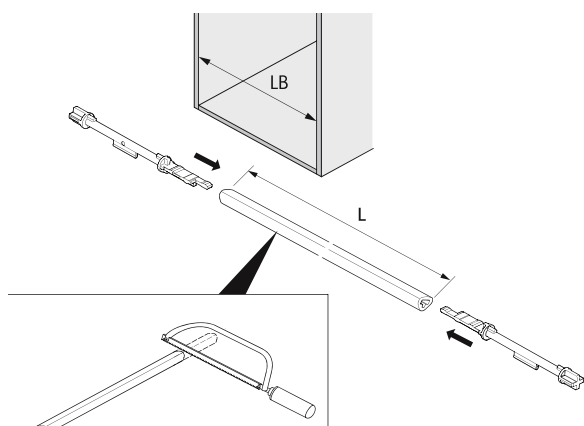
Synchronisation bar:

- For cutting to length
- Length 2000 mm
- Aluminium anodised

Connector:

- For connecting 2 synchronisation bars
- Plastic, grey

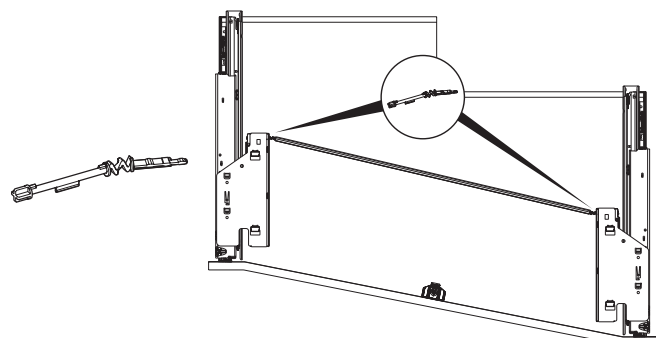
Article	Order no.	PU
<b>1</b> Synchronisation bar	<b>9 236 718</b>	1/100 ea.
<b>2</b> Connectors	<b>9 221 295</b>	1/20 ea.



**Quadro YOU**

**LB = LB - 200**

### Optional flexible adapter for synchronisation / multisynchronisation



- For use in conjunction with lowered drawer runners (angled fronts)
- Replaces the adapter for synchronisation in the Push to open Silent set

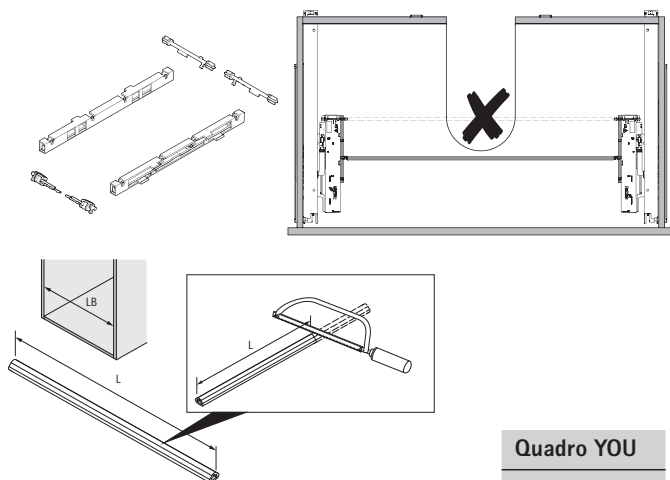
Order no.	PU
<b>9 262 213</b>	1/20 ea.



# AvanTech YOU double walled drawer system

## ► Push to open Silent opening system for Quadro YOU

### Optional synchronisation deflector for Push to open Silent



► For moving the synchronisation bar by 50, 90 or 140 mm

Set comprises:

- 2 housings
- 2 adapters for Push to open unit
- 2 adapters for synchronisation bar

Order no.	PU
9 278 453	1 set

**Quadro YOU**  
**LB - 225**

### Recommendation for drawer (front panel height up to approx. 150 mm, light duty loading)\*\*

Nominal length mm	Nominal width mm												
	275	300	350	400	450	500	550	600	700	800	900	1000	1200
350													
400													
450													
500													
550													
600													

**600 MM AVAILABLE LATE 2021**

### Recommendation for pot-and-pan drawer (front panel height up to approx. 300 mm, medium duty loading)\*\*

Nominal length mm	Nominal width mm												
	275	300	350	400	450	500	550	600	700	800	900	1000	1200
350													
400													
450													
500													
550													
600													

**600 MM AVAILABLE LATE 2021**

### Recommendation for pot-and-pan drawer, heavy duty (front panel height up to approx. 300 mm, heavy duty loading, e.g. with stacks of plates)\*\*

Nominal length mm	Nominal width mm												
	275	300	350	400	450	500	550	600	700	800	900	1000	1200
350													
400													
450													
500													
550													
600													

**600 MM AVAILABLE LATE 2021**

Order no. Push to open Silent:

**9 257 894**

**9 257 895**

**9 257 896**

\*\* Recommendations for standard applications (front panel 18 mm MDF, normal household loading).

# AvanTech YOU double walled drawer system

## ► Interior Organisation system for drawers and internal drawers



### Attractive on the outside, clever inside

The interior organisation solutions for the AvanTech YOU drawer systems bring ease to the living space.



### Fit-for-purpose organisation options:

Inserts made of plastic, steel or wood for any combination of items.



### Versatile and individually tailored:

Adapt and adjust your selection to suit your lifestyle.



### Make living a little easier:

Access everything you use every-day, exactly where you expect it to be.

# AvanTech YOU double walled drawer system

## ► Range summary, interior organisation



**OrgaTray 440**  
► for drawers / internal drawers

52



**OrgaTray 270**  
► for drawers / internal drawers

54



**OrgaTray 470**  
► for drawers / internal drawers

56



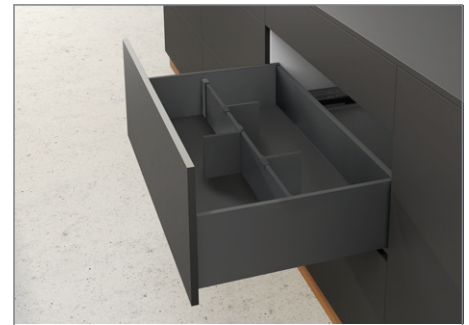
**OrgaTray 630**  
► for drawers / internal drawers

57



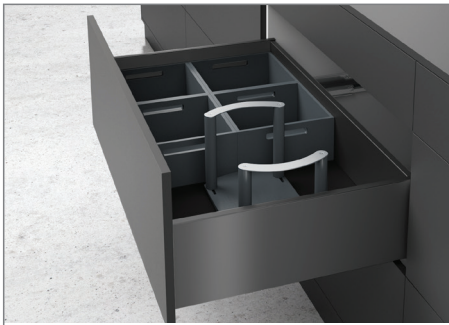
**OrgaStripe**  
► for drawers / internal drawers

58



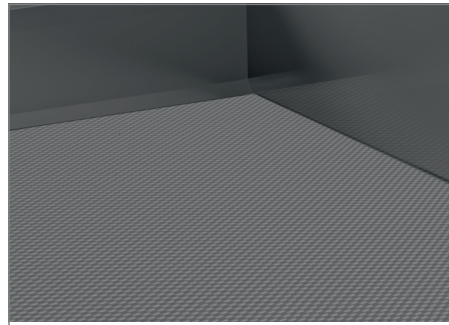
**OrgaStore 810 / 830**  
► for (internal) pot-and-pan drawers

59



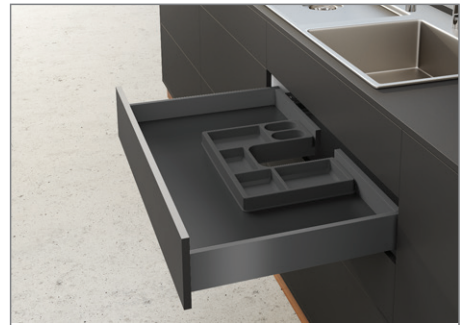
**OrgaStore 270**  
► for (internal) pot-and-pan drawers

60



**Anti-slip mat / edge profile**  
► for drawers / pot-and-pan drawers

61



**OrgaTray 510**  
► for drawers / pot-and-pan drawers

62



**Banio**  
► for drawers / pot-and-pan drawers

63



**Metal surround for U bend cutout**  
► for drawers / pot-and-pan drawers

64

# AvanTech YOU double walled drawer system

## ► OrgaTray 440



- Can be used from 139 mm
- Height 55 mm
- Plastic

### OrgaTray 440

Tray Width mm	Cabinet width	Order no. / colour / depth mm				PU
		white		anthracite		
		370 - 440	441 - 520	370 - 440	441 - 520	
201 - 250	350	9 194 949	9 194 962	9 194 980		1 ea.
251 - 300	400	9 194 950	9 194 963	9 194 981		1 ea.
301 - 350	450	9 194 951	9 194 964	9 194 982	9 194 995	1 ea.
351 - 400	500	9 194 952	9 194 965	9 194 983	9 194 996	1 ea.
401 - 450	550	9 194 953	9 194 966	9 194 984	9 194 997	1 ea.
451 - 500	600	9 194 954	9 194 967	9 194 985	9 194 998	1 ea.
501 - 600	700	9 194 955	9 194 968	9 194 986	9 194 999	1 ea.
601 - 700	800	9 194 956	9 194 969	9 194 987	9 195 000	1 ea.
701 - 800	900	9 194 957	9 194 970	9 194 988	9 195 001	1 ea.
801 - 900	1000	9 194 958	9 194 971	9 194 989	9 195 002	1 ea.
1091 - 1150	1200	9 194 960	9 194 973	9 194 991	9 195 004	1 ea.

### Divider

D 370 - 440												
D 441 - 520												
W	175-200	201-250	251-300	301-350	351-400	401-450	451-500	501-600	601-700	701-800	801-900	1091-1150
NW												
AvanTech YOU	300	300 350	350 400	400 450	450 500	500 550	550 600	600 700	700 800	800 900	900 1000	1200 1200

\* knife and spice rack can be incorporated

D = Depth

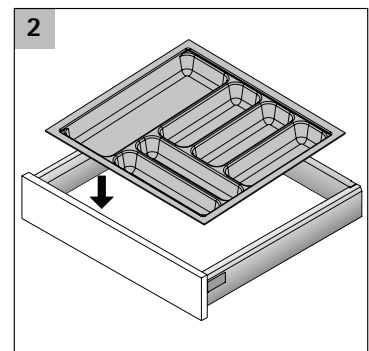
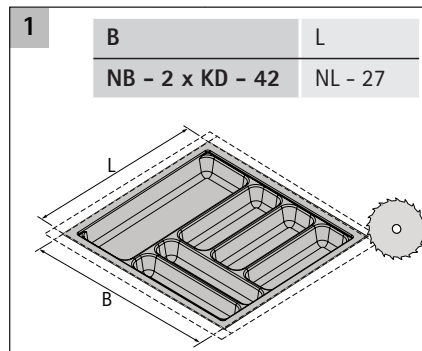
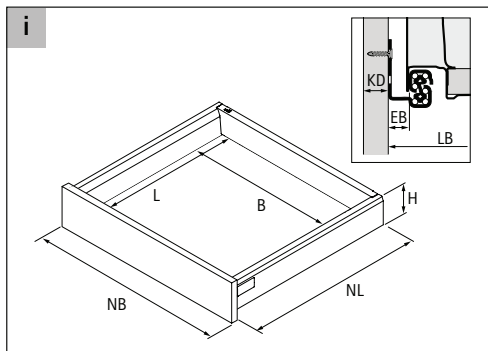
W = Width

NW = Nominal width

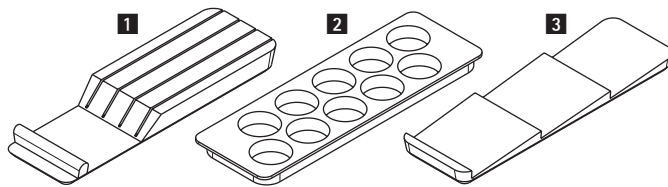
# AvanTech YOU double walled drawer system

## ► OrgaTray 440

### Planning / installation dimensions



### Knife holder and spice rack



► Beech, lacquered

Article	Order no.	PU
<b>1</b> Knife Holder	<b>0 074 430</b>	1 ea.
<b>2</b> Spice rack, standing, ø 53 mm	<b>0 044 934</b>	1 ea.
<b>3</b> Spice rack, lying flat	<b>9 079 207</b>	1 ea.

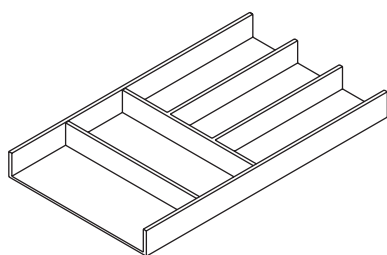
# AvanTech YOU double walled drawer system

## ► OrgaTray 270



- High quality interior organisation system made of wood
- Variable in width
- Various cabinet body widths can be provided by combining individual articles
- It is recommended to fit an anti-slip mat
- Can be combined with OrgaTray 630
- Beech, anthracite lacquered

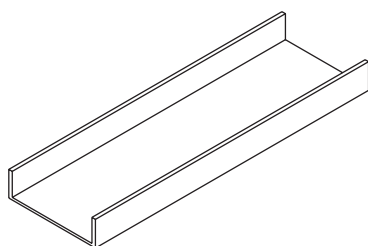
### OrgaTray 270, cutlery tray



- Dimensions: W 270 x H 43 x L 423 / 473 mm

Nominal length mm	Order no.	PU
450	<b>9 278 291</b>	1 ea.
500	<b>9 278 292</b>	1 ea.

### OrgaTray 270, multifunction insert



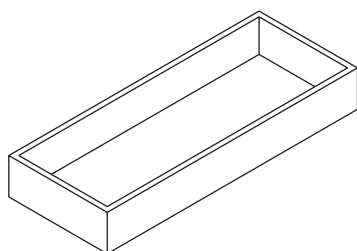
- Dimensions: W 150 x H 43 / 473 mm

Note:

- Designed to hold knife and roll holder, and spice rack
- Can be used by itself as a divider

Nominal length mm	Order no.	PU
450	<b>9 278 293</b>	1 ea.
500	<b>9 278 294</b>	1 ea.

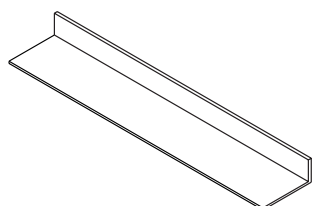
### OrgaTray 270, tray



- Dimensions: W 300 x H 43 x L 105.5 / 118 mm

Length mm	Order no.	PU
105.5	<b>9 278 302</b>	1 ea.
118	<b>9 278 301</b>	1 ea.

### OrgaTray 270, space packer



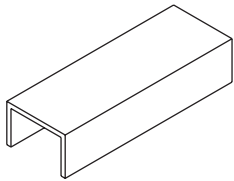
- For use in nominal lengths of 550 and 600 mm
- Dimensions: W 1200 x H 43 x L 100mm

Note: place behind other inserts to reach required drawer length, i.e. 500 mm insert + space packer fills a 600 mm drawer

Width mm	Order no.	PU
1200	<b>9 279 203</b>	1 ea.

## ▶ OrgaTray 270

### OrgaTray 270, connecting element

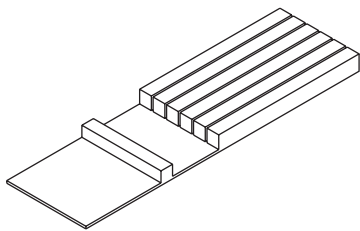


- ▶ For connecting cutlery organiser, multifunction insert and tray
- ▶ Aluminium, anodised

Set comprises  
▶ 4 connecting elements

Order no.	PU
9 278 312	1 set

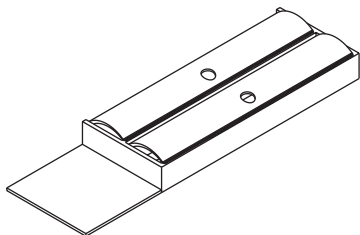
### OrgaTray 270, knife holder



- ▶ For fitting into the multifunction insert
- ▶ Dimensions: W 137 x H 26 x L 423 / 473 mm

Nominal length mm	Order no.	PU
450	9 278 295	1 ea.
500	9 278 296	1 ea.

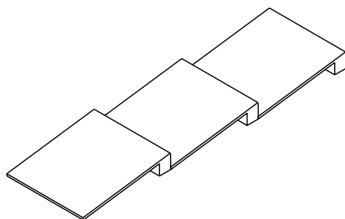
### OrgaTray 270, roll holder



- ▶ For fitting into the multifunction insert
- ▶ Dimensions: W 137 x H 38 x L 423 / 473 mm

Nominal length mm	Order no.	PU
450	9 278 297	1 ea.
500	9 278 298	1 ea.

### OrgaTray 270 , spice rack



- ▶ For fitting into the multifunction insert
- ▶ Dimensions: W 137 x H 38 x L 423 / 473 mm

Nominal length mm	Order no.	VE
450	9 278 299	1 ea.
500	9 278 300	1 ea.

### Related Product

- |                 |    |
|-----------------|----|
| ▶ Anti-slip mat | 61 |
| ▶ OrgaTray 630  | 57 |

# AvanTech YOU double walled drawer system

## ▶ OrgaTray 470

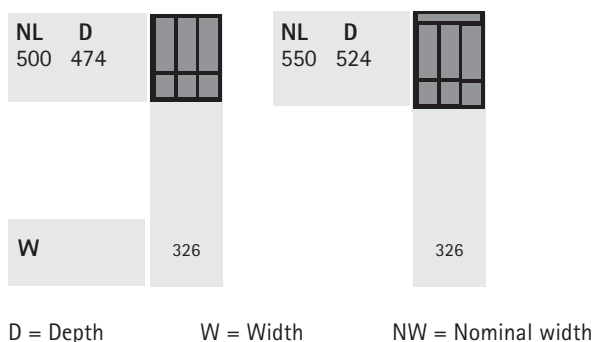


- ▶ Can be used from cabinet body width of 450 mm
- ▶ 2 can be fitted in cabinet bodies in widths of 800 mm and over
- ▶ Height 50 mm
- ▶ Plastic

### OrgaTray 470

Nominal length mm	Order no. / colour		PU
	white	anthracite	
500	9 207 224	9 207 227	1 ea.
550	9 207 226	9 207 238	1 ea.

### Divider





# AvanTech YOU double walled drawer system

## ▶ OrgaTray 630

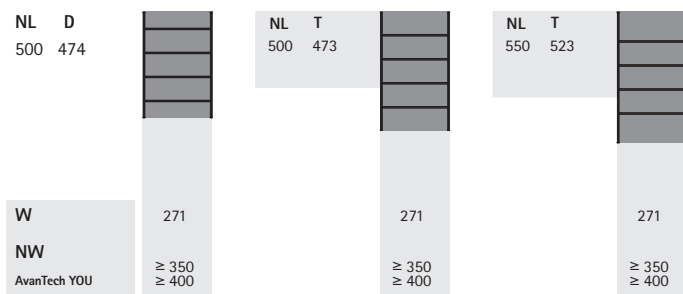


- ▶ Can be used from any cabinet body width of 350 mm
- ▶ 2 can be fitted in cabinet bodies in widths of 800 mm and over
- ▶ Height 43 mm
- ▶ Powder coated steel
- ▶ It is recommended to fit an anti-slip mat
- ▶ Can be combined with OrgaTray 270

### OrgaTray 630

Nominal length mm	Order no. / colour		PU
	white	anthracite	
450	9 278 331	9 278 318	1 ea.
500	9 278 332	9 278 319	1 ea.
550	9 278 333	9 278 320	1 ea.

### Divider



D = Depth

W = Width

NW = Nominal width

### Related Product

▶ Anti-slip mat

61

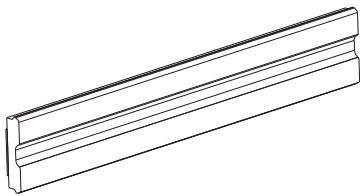
# AvanTech YOU double walled drawer system

- ▶ OrgaStripe profile
- ▶ OrgaStripe clip



- ▶ Versatile organisation system
- ▶ The self adhesive profiles can be used in virtually any drawer
- ▶ The cross partitions and dividers in a thickness of 4 mm provide plenty of scope for individually tailored organisation

## OrgaStripe profile



- ▶ For sticking onto coated engineer wood, steel and aluminium
- ▶ Length 1100 mm
- ▶ Plastic

Colour	Order no.	PU
white	9 203 465	1/30 ea.
black	9 203 254	1/30 ea.

## OrgaStripe clip



- ▶ For installing into the OrgaStripe profile
- ▶ For cross partition in 4 mm thickness
- ▶ Any cross partition material may be chosen
- ▶ Infinitely adjustable in the profile
- ▶ Plastic

Colour	Order no.	PU
white	9 203 468	1/60 ea.
black	9 203 467	1/60 ea.

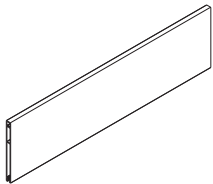
# AvanTech YOU double walled drawer system

## ► OrgaStore 830



- For variable or standard cabinet body width
- For use with nominal length of 300 mm
- It is recommended to fit an anti-slip mat

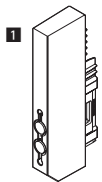
### OrgaStore 830, profile



- Height 120 mm
- Length 2000 mm
- For cutting to length
- Powder coated aluminium

Colour	Order no. /	PU
white	9 182 249	1 ea.
anthracite	9 182 250	1 ea.

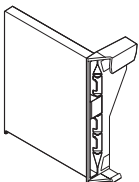
### OrgaStore 830, adaptor



- Height 125 mm
- Plugs into the profile without the need for tools
- Two adaptors are required for a set
- Plastic

Colour	Order no. /	PU
white	9 230 269	1/30 ea.
anthracite	9 230 268	1/30 ea.

### OrgaStore 830, lengthwise divider



- Height 125 mm
- Plastic

Colour	Order no. /	PU
white	9 182 230	1/15 ea.
anthracite	9 278 249	1/15 ea.

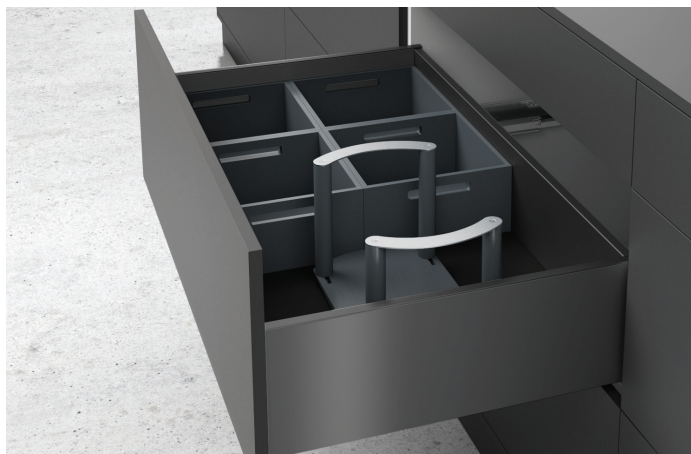
### Related Product

- Anti-slip mat

61

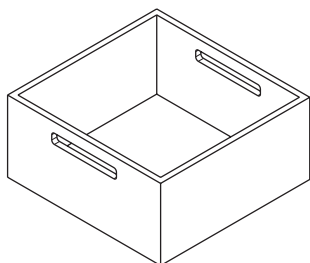
# AvanTech YOU double walled drawer system

► For pot-and-pan drawers and internal pot-and-pan drawers



- High quality interior organisation system made of wood
- Variable in width
- Various cabinet body widths can be provided by combining individual articles
- It is recommended to fit an anti-slip mat
- Beech, anthracite lacquered

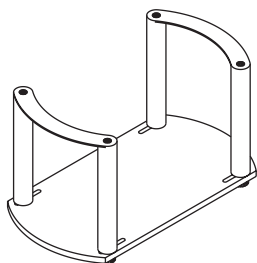
## OrgaStore 270 Box



- Two boxes can be fitted one behind the other in nominal length of 500 mm
- Anthracite
- Dimensions: W 231 x L 237 x H 110 mm

Order no.	PU
9 278 309	1 ea.

## OrgaStore 230 Plate holder



- Continuous adjustment for any plate diameter
- Anthracite
- Dimensions: W 180 x L 340 x H 191 mm

Order no.	PU
9 278 310	1 ea.

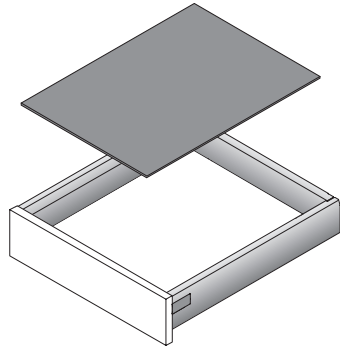
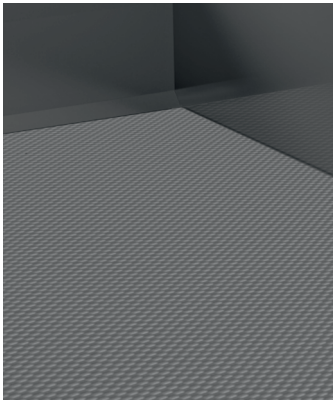
## Related Product

- |                 |    |
|-----------------|----|
| ► Anti-slip mat | 61 |
|-----------------|----|

# AvanTech YOU double walled drawer system

## ▶ Anti-slip mat

### Anti-slip mat

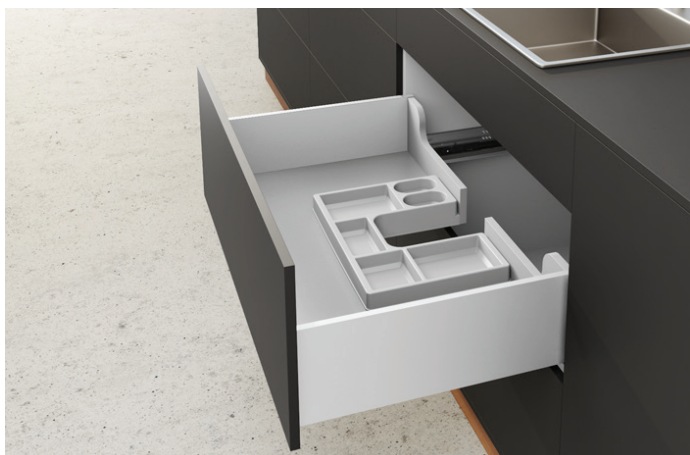


- ▶ For inserting into the drawer or pot-and-pan drawer
- ▶ 5 m roll
- ▶ Plastic

Nominal length mm	Order no. / colour		PU
	white	anthracite	
650	9 209 575	9 209 582	1 ea.

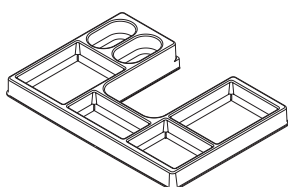
# AvanTech YOU double walled drawer system

## ► OrgaTray 510



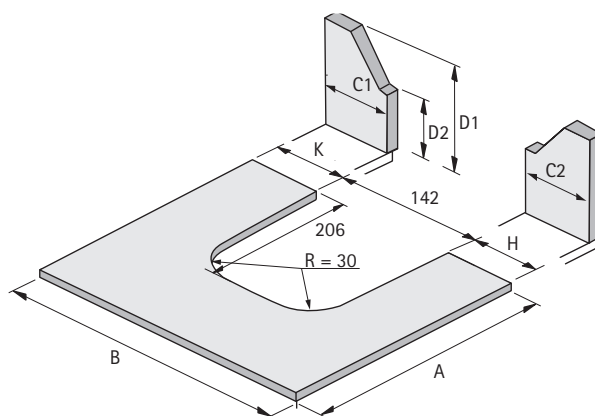
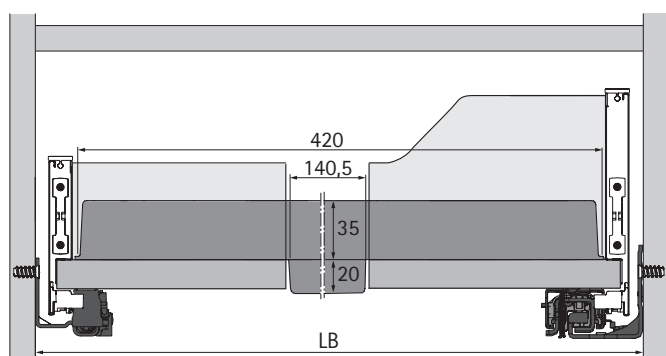
- Can be used from 550 mm cabinet body width and 350 mm nominal length
- Height 35 mm plus bottom cover
- Plastic

OrgaTray 510



Colour	Order no.	PU
white	9 207 046	1 ea.
black	9 207 047	1 ea.

### Planning / installation dimensions



A =	NL - 21
B =	LB - 24
C1 =	K
C2 =	H

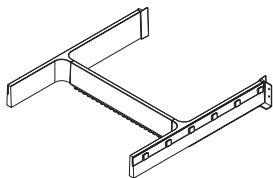
# AvanTech YOU double walled drawer system

## ► Solutions with bottom cutout



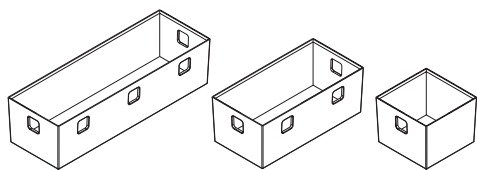
- Can be used from 139 mm height
- Can be used with nominal length up to 500 mm
- Recommended for use with cabinet bodies in widths of 600 mm and over
- Height 65 mm plus bottom cover
- Plastic

### Banio frame set



Colour	Order no.	PU
white	<b>9 153 385</b>	1 set
dark grey	<b>9 207 259</b>	1 set

### Banio tray set

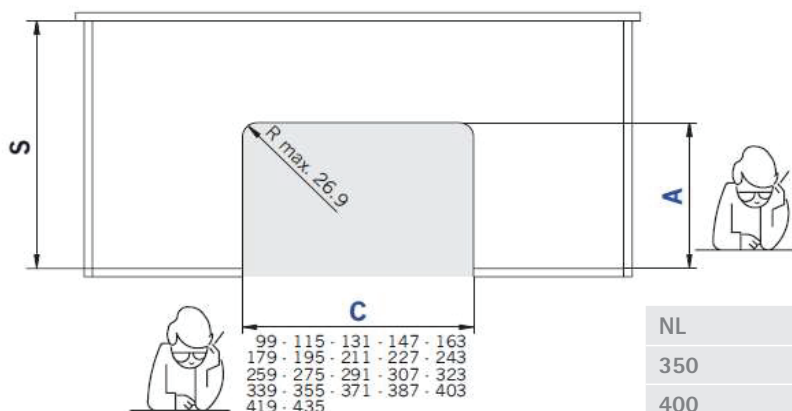


#### Set comprises

- 1x tray, 84 x 84 x 65 mm
- 1x tray, 84 x 168 x 65 mm
- 1x tray, 84 x 252 x 65 mm

Colour	Order no.	PU
translucent white	<b>9 153 388</b>	1 set
translucent, graphite grey	<b>9 207 260</b>	1 set

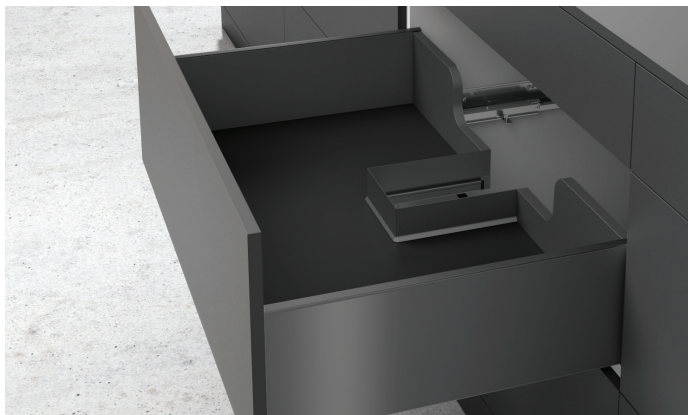
### Planning / installation dimensions



NL	S	A min	A max
350	323	130	284,4
400	373	180	288
450	423	230	288
500	473	280	288

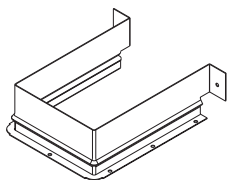
# AvanTech YOU double walled drawer system

## ► Solutions with bottom cutout, square and round



- Can be used for nominal lengths of 300 mm and over
- Use recommended on cabinet bodies in a width of 400 mm and over
- Height 53 mm plus bottom cover
- Powder coated steel

### Metal surround for U bend cutout - square

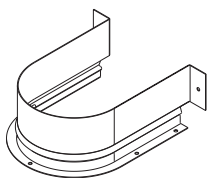


Colour	Order no.	PU
white	9 278 344	1 ea.
anthracite	9 278 343	1 ea.



- Can be used from 139 mm height
- Can be used for nominal lengths of 300 mm and over
- Use recommended on cabinet bodies in a width of 400 mm and over
- Height 67 mm plus bottom cover
- Powder coated steel

### Metal surround for U bend cutout - round



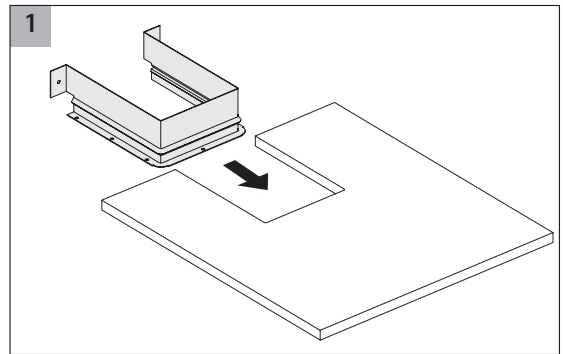
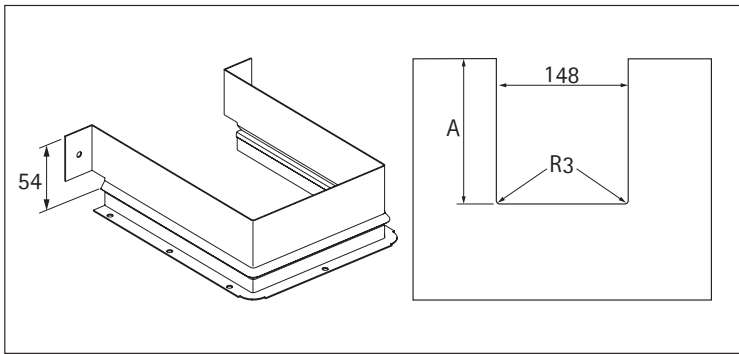
Colour	Order no.	PU
white	9 204 283	1 ea.
anthracite	9 204 284	1 ea.



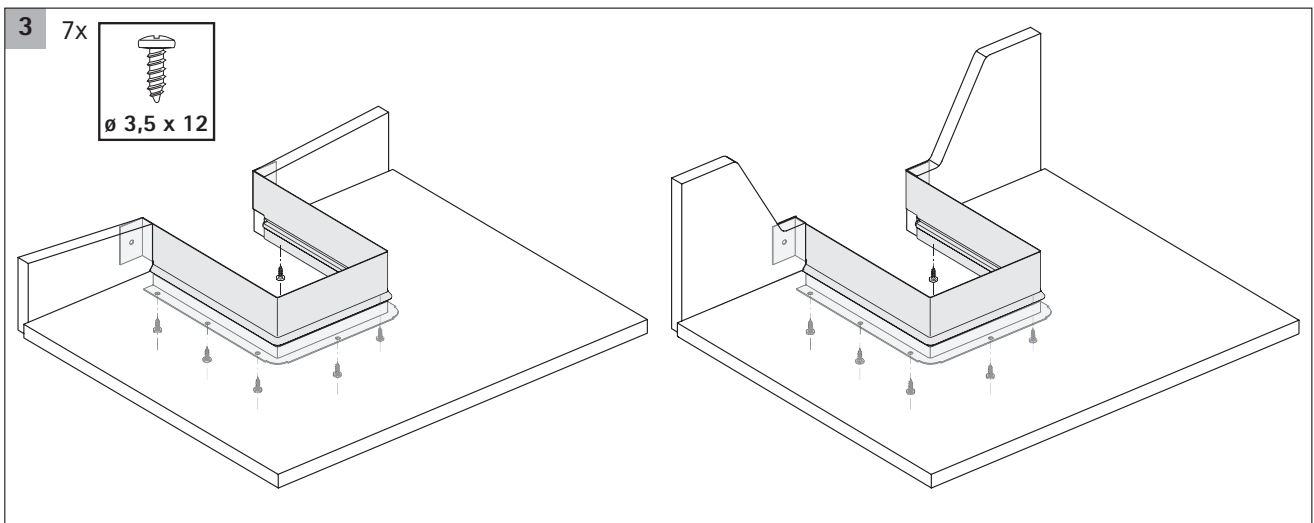
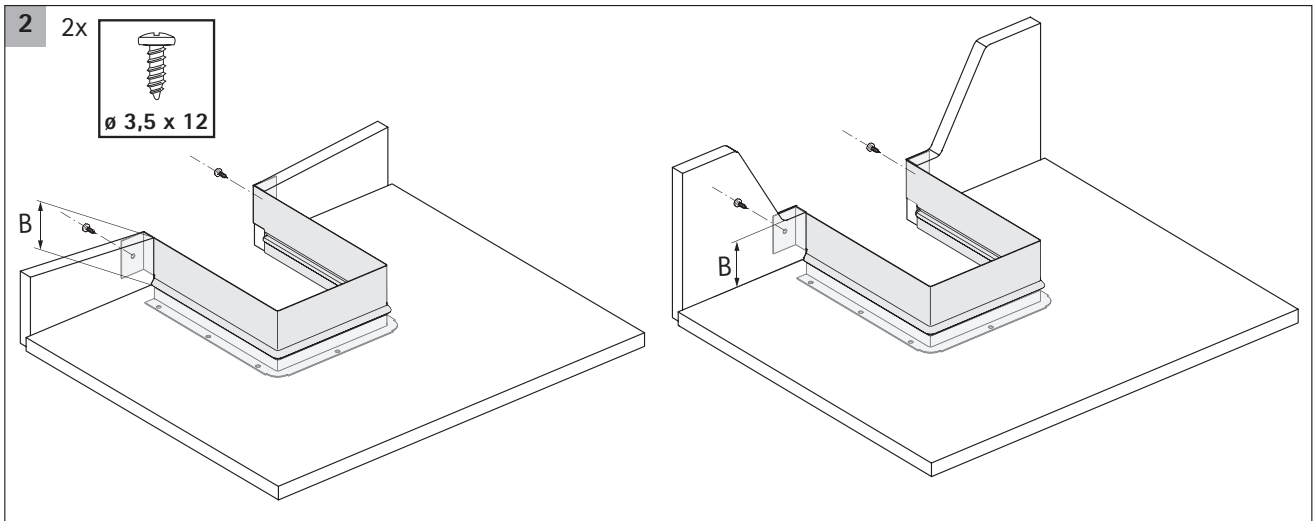
# AvanTech YOU double walled drawer system

## ► Solutions with bottom cutout, square and round

### Planning / installation dimensions



AvanTech YOU	
A	200
B	54



## AvanTech YOU double walled drawer system

### ► Waste collection systems behind front panels



#### **Waste bin solutions for every lifestyle**

Our waste bins are a convenient, supplementary organisation tool that makes being in the kitchen a little bit easier.

Select your waste bins based on your household consumption and keep your space clean and fresh.

# AvanTech YOU double walled drawer system

- ▶ Waste collecting systems behind front panels
- ▶ Range summary



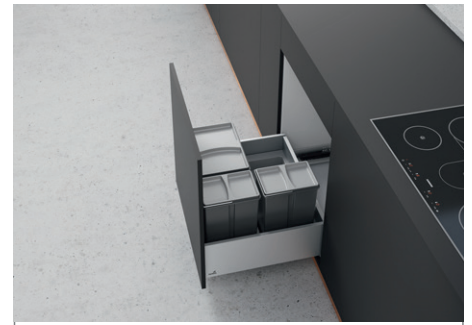
**AvanTech YOU Pull**

68



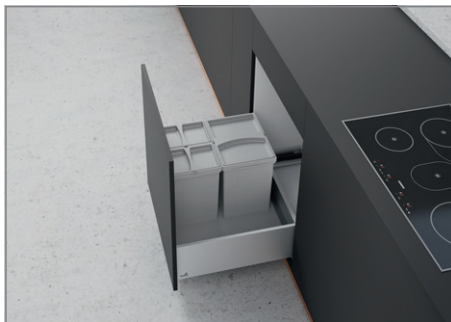
**Bin.it Prime**

70



**Bin.it Smart**

71



**Bin.it Vario**

72 - 73

# AvanTech YOU double walled drawer system

- ▶ Waste collection systems behind front panels
- ▶ AvanTech YOU Pull



- ▶ Top running waste collecting system for AvanTech YOU drawer, 101 mm high
- ▶ The AvanTech YOU Pull frame is fitted instead of the bottom drawer panel
- ▶ Frame can be equipped as required with various bins and accessories
- ▶ Please order bin separately
- ▶ Please order AvanTech YOU drawer components separately
- ▶ Powder coated steel, anthracite

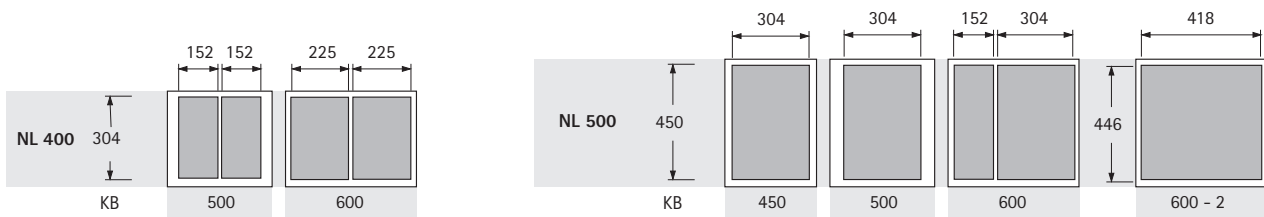
Set comprises:

- ▶ 1 fitted frame including front stay and lid
- ▶ Fixing material

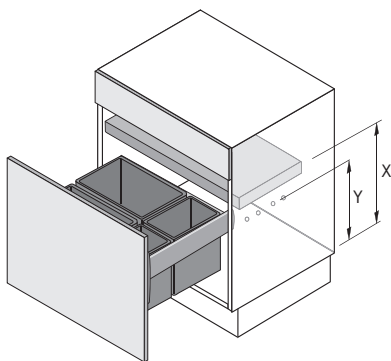
## AvanTech YOU Pull frame

For cabinet body width	Type	Order no. 500 mm Nominal length	PU
450		<b>9 278 334</b>	1 set
500		<b>9 278 335</b>	1 set
600		<b>9 278 336</b>	1 set
600	600 - 2 (for 2 x 40 l)	<b>9 278 337</b>	1 set

## Partitioning



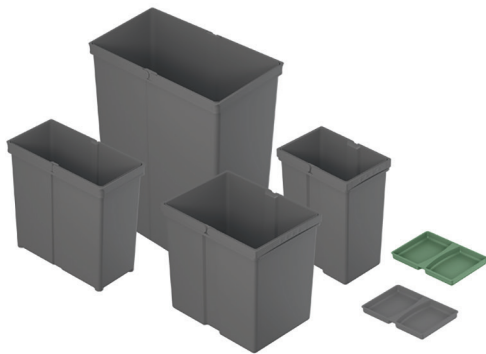
## Planning dimensions



Bin height mm	X mm	Y
295	375	285
460	540	450
505	585	495

# AvanTech YOU double walled drawer system

- ▶ Waste collecting systems behind front panels
- ▶ AvanTech YOU Pull



- ▶ For fitting any chosen component in the AvanTech YOU Pull frame
- ▶ Plastic bin with sturdy double handle
- ▶ As standard, all bins are supplied without lid
- ▶ Lids must be ordered separately, see below
- ▶ The lid heights specified below are total dimensions, the additional height for all lids is 2 mm

## Bin

Article	Material/finish	Width mm	Depth mm	Height mm	Order no.	PU
Bin 8 l	Plastic anthracite	152	225	295	<b>9 279 390</b>	1 ea.
Bin 11 l	Plastic anthracite	152	304	295	<b>9 279 391</b>	1 ea.
Bin 17 l	Plastic anthracite	225	304	295	<b>9 279 392</b>	1 ea.
Bin 29 l	Plastic anthracite	225	304	460	<b>9 279 393</b>	1 ea.
Bin 40 l	Plastic anthracite	223	418	505	<b>9 279 394</b>	1 ea.

## Lid

Article	Material/finish	Width mm	Depth mm	Height mm	Order no.	PU
Bin 8 l	Plastic anthracite	152	225	21	<b>9 279 396</b>	1 ea.
Bin 11 l	Plastic anthracite	152	304	21	<b>9 279 397</b>	1 ea.
Bin 17 / 29 l	Plastic anthracite	225	304	21	<b>9 279 398</b>	1 ea.
Bin 40 l	Plastic anthracite	223	418	21	<b>9 279 399</b>	1 ea.

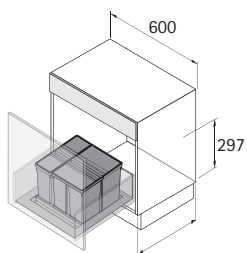
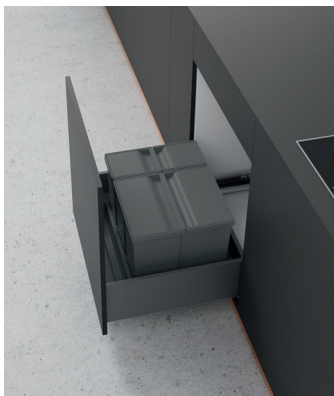
## Related Product

- ▶ AvanTech YOU drawer components 08 - 49

# AvanTech YOU double walled drawer system


- ▶ Waste collection systems behind front panels
- ▶ Bin.it Prime

## Bin.it Prime 600



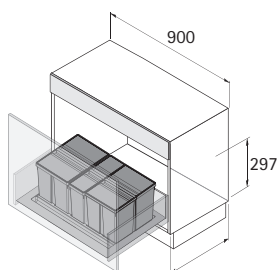
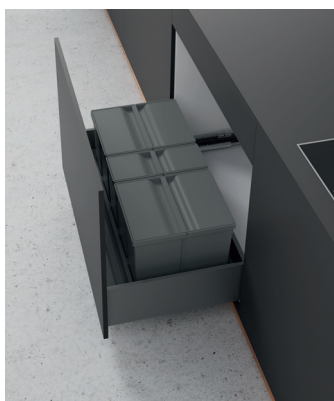
- ▶ For use in pot-and-pan drawer e.g nominal length (NL) 450 mm / 500 mm
- ▶ For cabinet width 600 mm
- ▶ Capacity 37 litres
- ▶ Installed height 297 mm as from upper edge of drawer bottom panel
- ▶ Fitted tray can be cut to size, dimensions for cutting to size: max. width 540 mm, max. depth 490 mm
- ▶ min. width 430 mm, min. depth 399 mm
- ▶ Fitted tray, bin and lid, anthracite plastic

Set comprises:

- ▶ 2 bins fitted with lid  + 
- ▶ 1 fitted tray



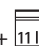
Order no.	PU
9 220 394	1 Set

## Bin.it Prime 900



- ▶ For use in pot-and-pan drawer e.g nominal length (NL) 450 mm / 500 mm
- ▶ For cabinet width 900 mm
- ▶ Capacity 63 litres
- ▶ Installed height 297 mm as from upper edge of drawer bottom panel
- ▶ Fitted tray can be cut to size, dimensions for cutting to size max. width 840 mm, max. depth 490 mm
- ▶ min. width 730 mm, min. depth 399 mm
- ▶ Fitted tray, bin and lid, anthracite plastic

Set comprises of

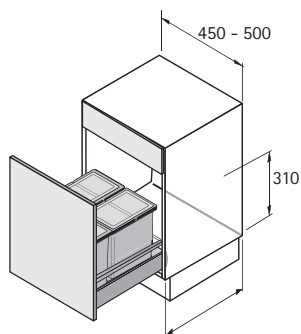
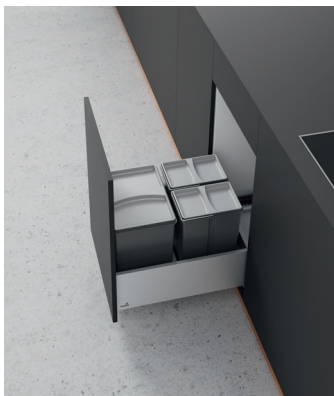
- ▶ 3 bins with lid  +  + 
- ▶ 1 fitted tray

Order no.	PU
9 220 395	1 Set

# AvanTech YOU double walled drawer system

- ▶ Waste collecting systems behind front panels
- ▶ Bin.it Smart

## Bin.it Smart 450 / 500



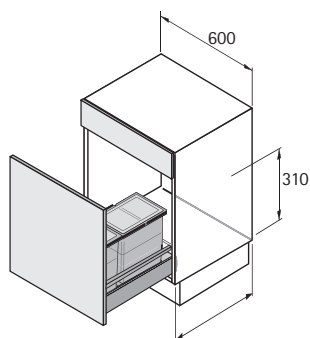
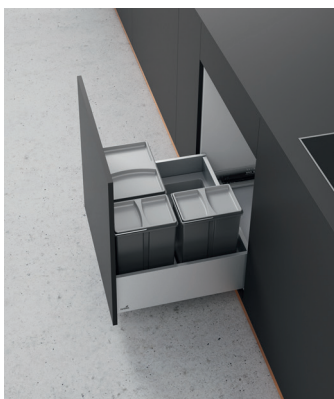
- ▶ For use in pot-and-pan drawer e.g. nominal length (NL) 500 mm / 550 mm
- ▶ For cabinet width 450 mm or 500 mm
- ▶ Capacity 32 Litres
- ▶ Installed height 310 mm as from upper edge of drawer bottom panel
- ▶ Cut dimensions of the non-slip mat: max. width 450 mm, max. depth 523 mm  
min. width 345 mm, min. depth 462 mm
- ▶ Fitted tray and lid in grey plastic, bin in anthracite plastic

Set comprises:

- ▶ 3 bins with lid + +
- ▶ 1 fitted tray

Order no.	PU
9 208 750	1 Set

## Bin.it Smart 600



- ▶ For use in pot-and-pan drawer e.g. nominal length (NL) 500 mm / 550 mm
- ▶ For cabinet width 600 mm
- ▶ Capacity 32 Litres
- ▶ The unused section in the fitted tray provides space for cleaning products, or can alternatively be fitted with an additional 16 litre bin
- ▶ Installed height 310 mm as from upper edge of drawer bottom panel
- ▶ Cut dimensions of the non-slip mat: max. width 550 mm, max. depth 523 mm  
min. width 495 mm, min. depth 462 mm
- ▶ Fitted tray and lid in grey plastic, bin in anthracite plastic

Set comprises:

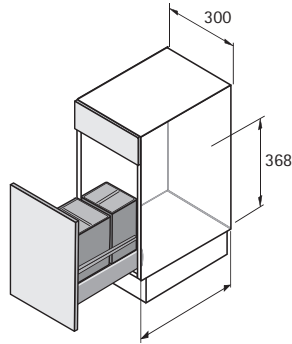
- ▶ 3 bins with lid + +
- ▶ 1 fitted tray

Order no.	PU
9 208 752	1 Set

# AvanTech YOU double walled drawer system

- ▶ Waste collection systems behind front panels
- ▶ Bin.it Vario

## Bin.it Vario 300



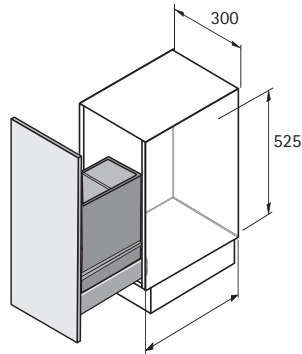
- ▶ For use in pot-and-pan drawer e.g. nominal length (NL) 500 mm
- ▶ For cabinet width 300 mm
- ▶ Capacity 30 Litres
- ▶ Installed height 368 mm as from upper edge of drawer bottom panel
- ▶ Cut dimensions of the non-slip mat: max. width 250 mm, max. depth 512 mm
- ▶ min. width 190 mm, min. depth 450 mm
- ▶ Fitted mat, bin and lid, grey plastic

Set comprises

- ▶ 2 bins with lid +
- ▶ 1 fitted mat

Order no.	PU
9 207 645	1 Set

## Bin.it Vario 300 - 40L



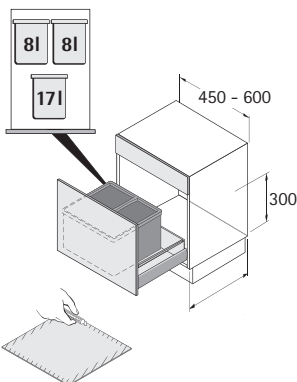
- ▶ For use in pot-and-pan drawer e.g. nominal length (NL) 500 mm / 550 mm
- ▶ For cabinet width 300 mm
- ▶ Capacity 40 Litres
- ▶ Installed height 525 mm as from upper edge of drawer bottom panel
- ▶ Cut dimensions of the fitted shelf: max. width 220 mm, max. depth 562 mm
- ▶ min. width 205 mm, min. depth 400 mm
- ▶ Shelf, bin and lid, grey plastic

Set comprises:

- ▶ 1 bin with lid
- ▶ 1 shelf

Order no.	PU
9 207 649	1 Set

## Bin.it Vario 450 - 600



- ▶ For use in pot-and-pan drawer e.g. nominal length (NL) 500 mm / 550 mm
- ▶ For cabinet width 450 mm - 600 mm by cutting the non-slip fitted mat to size
- ▶ Capacity 33 Litres
- ▶ Installed height 300 mm as from upper edge of drawer bottom panel
- ▶ Cut dimensions of the non-slip mat: max. width 565 mm, max. depth 565 mm
- ▶ min. width 311 mm, min. depth 456 mm
- ▶ Fitted mat, bin and lid, grey plastic

Set comprises:

- ▶ 3 bins with lid + +
- ▶ 1 fitted mat

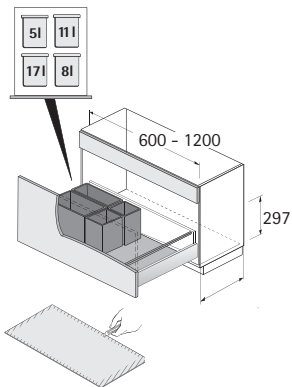
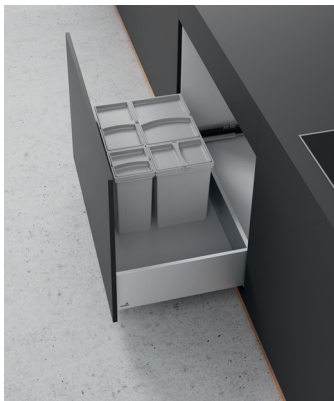
Order no.	PU
9 105 101	1 Set



# AvanTech YOU double walled drawer system

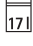
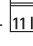
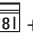

- ▶ Waste collecting systems behind front panels
- ▶ Bin.it Vario

## Bin.it Vario 600 - 1200



- ▶ For use in pot-and-pan drawer e.g. nominal length (NL) 500 mm / 550 mm
- ▶ For cabinet width 600 mm - 1200 mm by cutting the non-slip fitted mat to size
- ▶ Capacity 41 Litres
- ▶ Installed height 297 mm as from upper edge of drawer bottom panel
- ▶ Cut dimensions of the non-slip mat:  
max. width 1150 mm, max. depth 565 mm  
min. width 468 mm, min. depth 456 mm
- ▶ Fitted mat, bin and lid, grey plastic

Set comprises:

- ▶ 4 bins with lid  +  +  + 
- ▶ 1 fitted mat

Order no.	PU
9 079 921	1 Set

## Related Product

- ▶ AvanTech YOU pot-and-pan drawer components 14

# AvanTech YOU double walled drawer system

- ▶ Waste collection systems behind front panels
- ▶ Bin.it Smart

## AvanTech YOU Pull

Catalogue page	For order no.	Replacement bin / lid	W x D x H mm	Order no.	PU
64	diverse	8 l, anthracite plastic	152 x 225 x 295	<b>9 279 390</b>	1 ea.
	9 279 390	Lid 8 l, anthracite plastic	152 x 225 x 21	<b>9 279 396</b>	1 ea.
	9 279 390	Lid 8 l, green plastic	152 x 225 x 21	<b>9 132 382</b>	1 ea.
	diverse	11 l, anthracite plastic	152 x 304 x 295	<b>9 279 391</b>	1 ea.
	9 279 391	Lid 11 l, anthracite plastic	152 x 304 x 21	<b>9 279 397</b>	1 ea.
	diverse	17 l, anthracite plastic	225 x 304 x 295	<b>9 279 392</b>	1 ea.
	diverse	29 l, anthracite plastic	225 x 304 x 460	<b>9 279 393</b>	1 ea.
	9 279 392 9 279 393	Lid 17 / 29 l, anthracite plastic	225 x 304 x 21	<b>9 279 398</b>	1 ea.
	9 278 337 9 279 405	40 l, anthracite plastic	223 x 418 x 505	<b>9 279 394</b>	1 ea.
9 279 394	Lid 40 l, anthracite plastic	223 x 418 x 21	<b>9 279 399</b>	1 ea.	

**Note:** All replacement bins are supplied without lid

## Bin.it Prime

Catalogue page	For order no.	Replacement bin / lid	W x D x H mm	Order no.	PU
66	9 220 394 9 220 395	11 l, anthracite plastic	146 x 356 x 275	<b>9 220 484</b>	1 ea.
	9 220 394 9 220 395	26 l, anthracite plastic	298 x 356 x 275	<b>9 220 486</b>	1 ea.
	9 220 394 9 220 395	Deckel 11 l, anthracite plastic	131 x 342 x 20	<b>9 220 487</b>	1 ea.
	9 220 394 9 220 395	Deckel 26 l, anthracite plastic	283 x 342 x 20	<b>9 220 488</b>	1 ea.

**Note:** All replacement bins are supplied without lid

## Bin.it Flex

Catalogue page	For order no.	Replacement bin / lid	W x D x H mm	Order no.	PU
66 - 67	9 132 350	5,5 l, grey plastic	155 x 223 x 230	<b>9 136 188</b>	1 ea.
	9 132 349 9 132 350	12 l, grey plastic	310 x 223 x 230	<b>9 136 187</b>	1 ea.

**Note:** All replacement bins are supplied without lid

# AvanTech YOU double walled drawer system

## ► Ordering replacement bin / lids

### Bin.it Smart

Catalogue page	For order no.	Replacement bin / lid	W x D x H mm	Order no.	PU
67	9 208 750 9 208 752	8 l, anthracite plastic	225 x 152 x 290	<b>9 208 754</b>	1 ea.
	9 208 750 9 208 752	16 l, anthracite plastic	225 x 304 x 290	<b>9 208 757</b>	1 ea.
	9 208 750 9 208 752	Deckel 8 l, grey plastic	152 x 225 x 21	<b>9 132 384</b>	1 ea.
	9 208 750 9 208 752	Deckel 17 / 29 l, grey plastic	225 x 304 x 21	<b>9 132 386</b>	1 ea.

**Note:** All replacement bins are supplied without lid

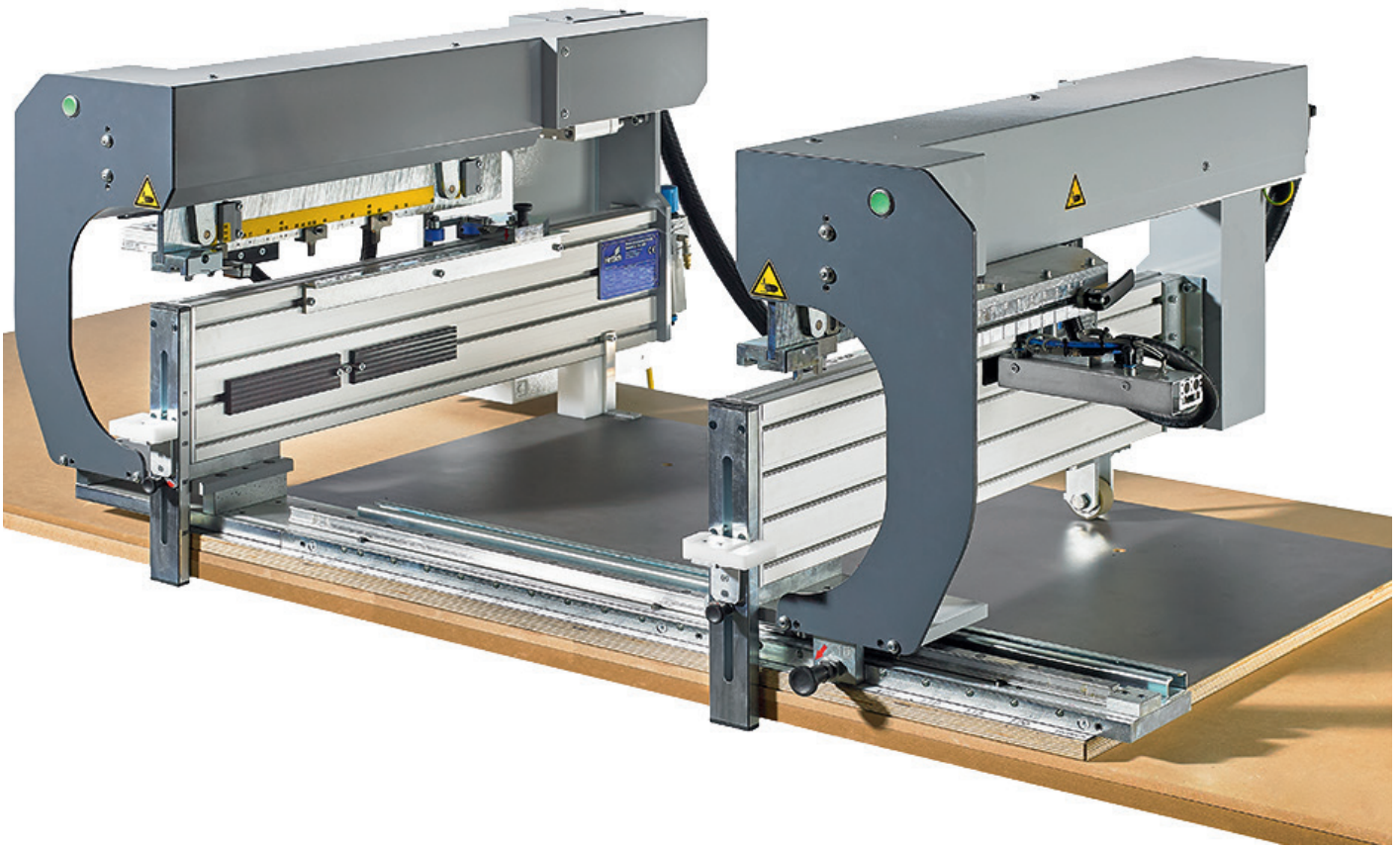
### Bin.it Vario

Catalogue page	For order no.	Replacement bin / lid	W x D x H mm	Order no.	PU
68 - 69	9 079 921	5 l, grey plastic	152 x 152 x 295	<b>9 132 375</b>	1 ea.
	9 132 375	Lid 5 l, grey plastic	152 x 152 x 21	<b>9 132 383</b>	1 ea.
	9 132 375	Lid 5 l, green plastic	152 x 152 x 21	<b>9 132 344</b>	1 ea.
	9 105 101 9 079 921	8 l, grey plastic	152 x 225 x 295	<b>9 132 377</b>	1 ea.
	9 132 377	Lid 8 l, grey plastic	152 x 225 x 21	<b>9 132 384</b>	1 ea.
	9 132 377	Lid 8 l, green plastic	152 x 225 x 21	<b>9 132 382</b>	1 ea.
	9 132 378	Lid 11 l, grey plastic	152 x 304 x 21	<b>9 132 385</b>	1 ea.
	9 207 649	40 l, grey plastic	223 x 418 x 505	<b>9 209 306</b>	1 ea.
	9 079 921	11 l, grey plastic	152 x 304 x 295	<b>9 132 378</b>	1 ea.
	9 105 101 9 079 921	17 l, grey plastic	225 x 304 x 295	<b>9 132 380</b>	1 ea.
	9 132 380	Lid 17 / 29 l, grey plastic	225 x 304 x 21	<b>9 132 386</b>	1 ea.

**Note:** All replacement bins are supplied without lid

# AvanTech YOU double walled drawer system

## ▶ Assembly aids and drilling jigs



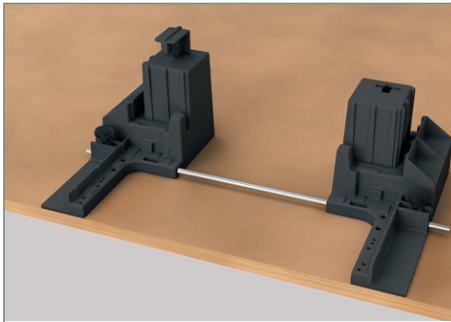
### **Work with precision and save time**

Hettich's intelligent assembly aids ensure you can work quicker and with more accuracy. These tools offer valuable assistance in the processing and assembly of drawers and runners.

You can significantly increase your work efficiency with Hettich work assistants.

# AvanTech YOU double walled drawer system

## ▶ Assembly aids and drilling jigs



### Assembly aids for drawers

- ▶ AvanTech YOU Installation starter set
- ▶ Assembly Aids

78



### Drilling jigs for front / rear panel fixing

- ▶ Drilling Jigs

79



### Drilling jigs for installing runners, handles and knobs

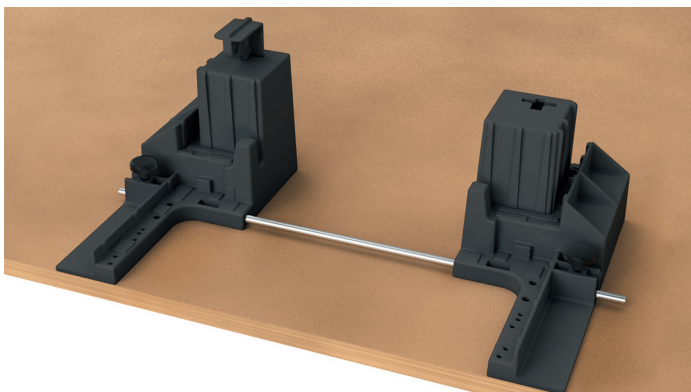
- ▶ Range summary / technical comparison

80

# AvanTech YOU double walled drawer system

## ► Installation Starter Set

### AvanTech YOU Installation starter set



The set consists of

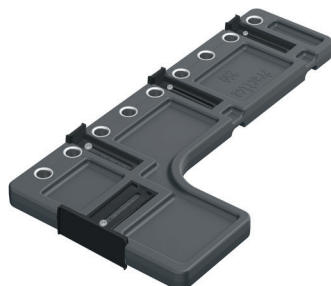
- AvanFit 100
- Practica 275 (rear panel)
- Practica 250 (front panel)
- Centring drilling bit for Practica 250

Order no.	PU
9 285 179	1 ea.

AvanFit 100



Practica 275



Practica 250

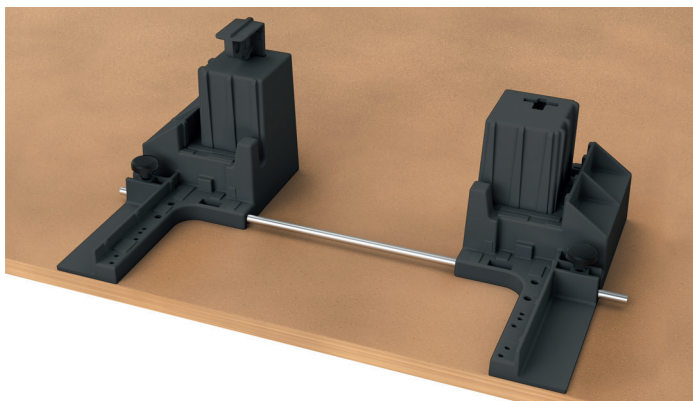


Centring drill bit

# AvanTech YOU double walled drawer system

- ▶ Drilling Jigs
- ▶ Starter set individual parts

## AvanFit 100



- ▶ For assembling AvanTech YOU drawers and pot-and-pan drawers
- ▶ Manual component positioning and assembling
- ▶ All settings can be made without the need for tools
- ▶ Plastic
- ▶ Capacity: up to 10 drawers an hour

Order no.	PU
9 219 678	1 ea.

## Practica 275 for AvanTech YOU



For drilling wooden rear panels / aluminium AvanTech YOU:

- ▶ Drawer side profile connectors
- ▶ Drawer side profile heights 101 / 139 / 187 / 251 mm
- ▶ Plastic
- ▶ Hardened steel drilling bushes for 4 mm drill bit

Order no.	PU
9 257 321	1 ea.

## Practica 250 for AvanTech YOU



For drilling holes for connecting the front panel to AvanTech YOU:

- ▶ Drawer / pot-and-pan drawer
- ▶ Plastic
- ▶ Hardened steel drilling bushes for 10 mm drill bit with depth setting ring

Order no.	PU
9 219 328	1 ea.

## Centring drill bit



For drilling holes for connecting the front panel to AvanTech YOU:

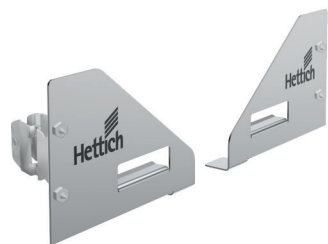
- ▶ Drawer / pot-and-pan drawer
- ▶ Diameter 2,5 mm
- ▶ Plastic
- ▶ Hardened steel drilling bushes for 10 mm drill bit with depth setting ring

Order no.	PU
9 257 319	1 ea.

# AvanTech YOU double walled drawer system

- ▶ Drilling jigs
- ▶ BlueJig FC

## BlueJig AvanTech 105

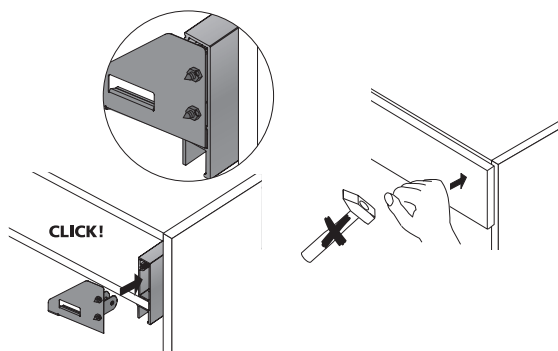


For marking hole centre for attaching the drawer front connector to AvanTech YOU:

- ▶ Drawer height 101 / 139 mm
- ▶ Steel
- ▶ Drawer front connector with centring tips

Order no.	PU
9 257 323	1 set

## Aligning the centre punch up against the drawer



## BlueJig AvanTech 205



For marking hole centre for attaching the drawer front connector to AvanTech YOU:

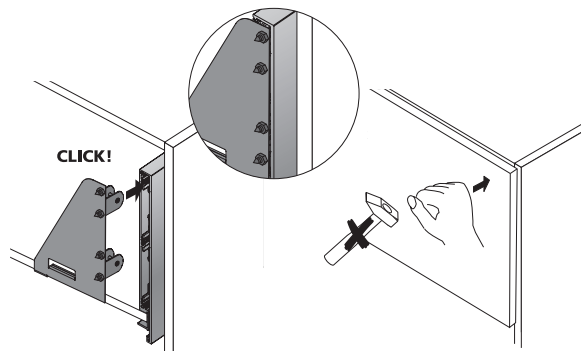
- ▶ Drawer height 187 / 251 mm
- ▶ Steel
- ▶ Drawer front connector with centring tips

Set comprises:

- ▶ 2 BlueJig AvanTech YOU 205 (right / left)

Order no.	PU
9 257 324	1 set

## Aligning the centre punch up against the drawer





- ▶ Drilling jigs
- ▶ BlueJig FB, for inlay drawers

## BlueJig AvanTech 305 Inlay



For marking holes for attaching drawer front connector for AvanTech YOU Inlay:

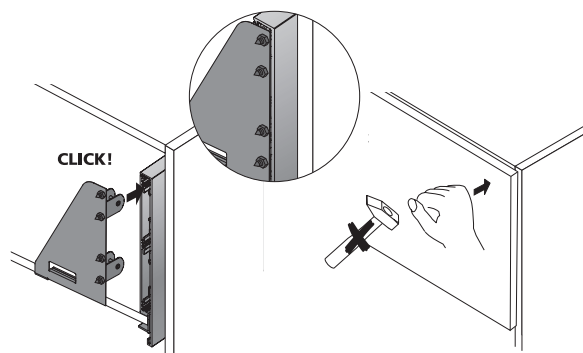
- ▶ Drawer height 187 mm
- ▶ Steel
- ▶ Drawer front connector with centring tips

Set comprises:

- ▶ 2 BlueJig AvanTech YOU 305 (right / left)

Order no.	PU
9 257 331	1 set

## Aligning the centre punch up against the drawer



## AvanTech YOU double walled drawer system

- ▶ Drilling jigs
- ▶ Practica, for front panel connector, rear panel connector

### Practica 265 for AvanTech YOU



For drilling holes for connecting the aluminium front panels to AvanTech YOU:

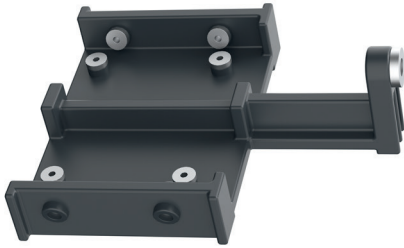
- ▶ Plastic
- ▶ Hardened steel drilling bushes for 3 mm drill bit

Order no.	PU
<b>9 254 997</b>	1 ea.

# AvanTech YOU double walled drawer system

- ▶ Drilling jigs
- ▶ BlueJig, for wooden drawers and adjusting Push to open

## BlueJig for wooden drawers



- ▶ For drilling the hole for the C hook and catches on Actro YOU and Quadro YOU runners on wooden drawers
- ▶ Plastic with hardened drilling bushes in steel
- ▶ Please order accessory twist drill separately

	Order no.	PU
Actro YOU	9 257 813	1 ea.
Quadro YOU	9 257 325	1 ea.

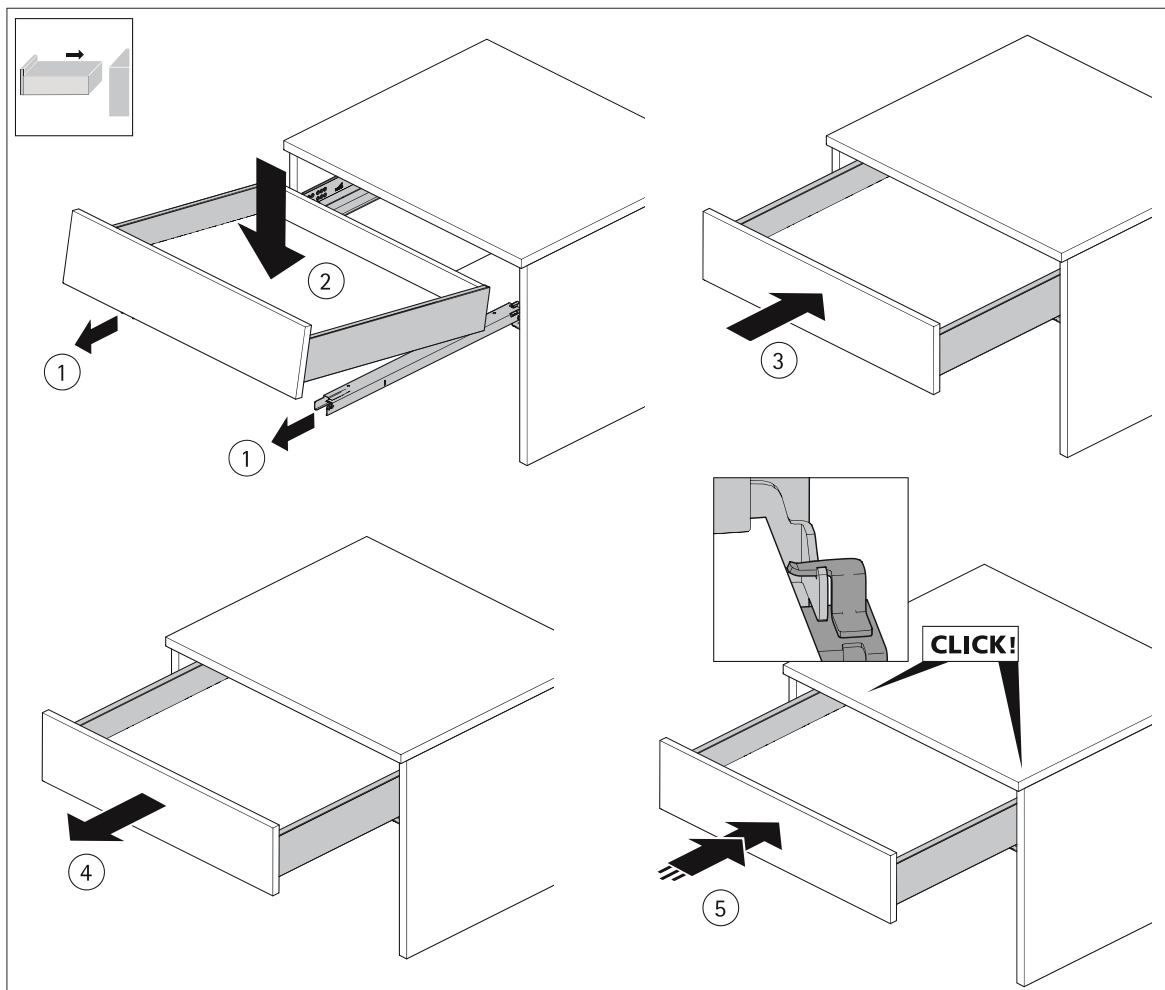
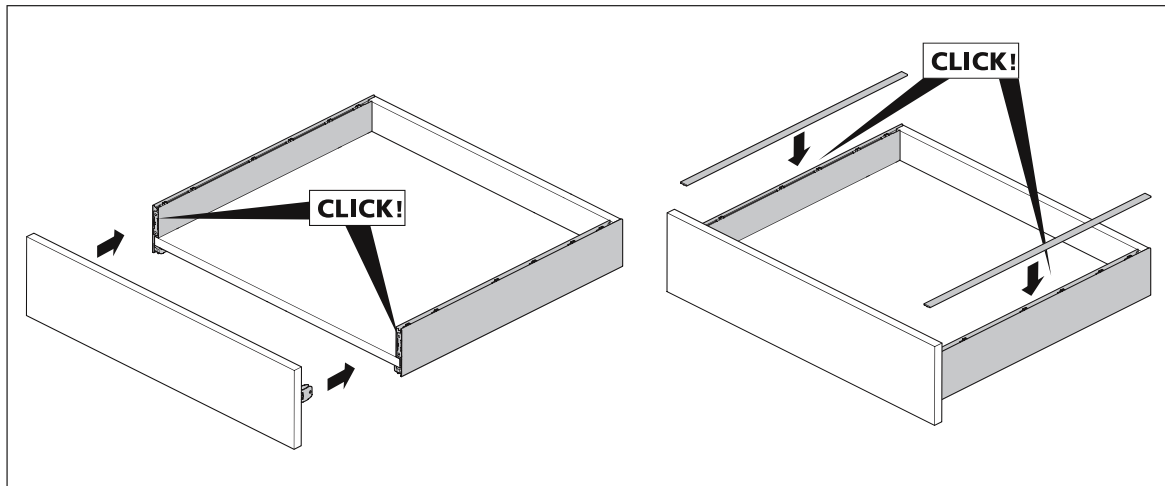
## BlueJig Push to open



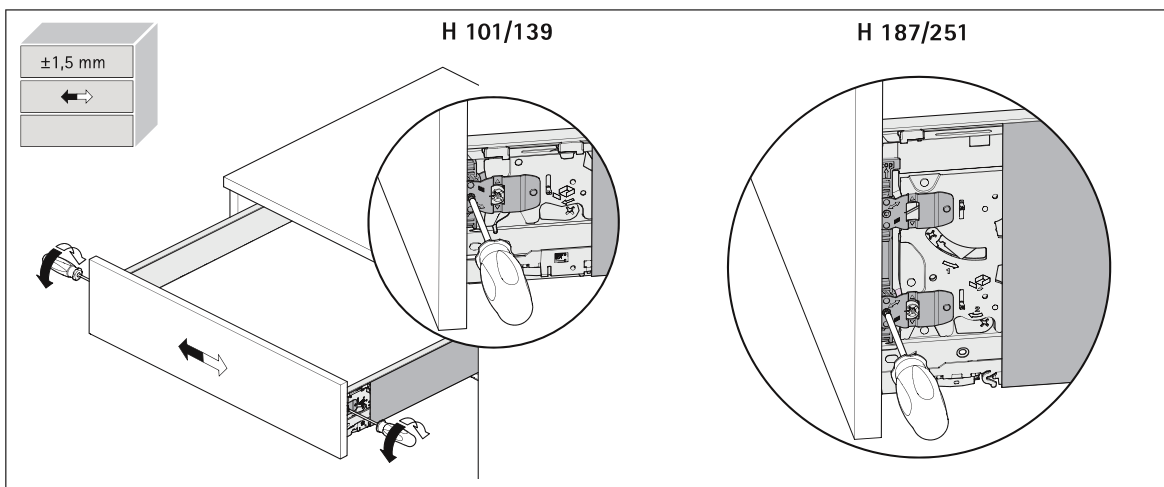
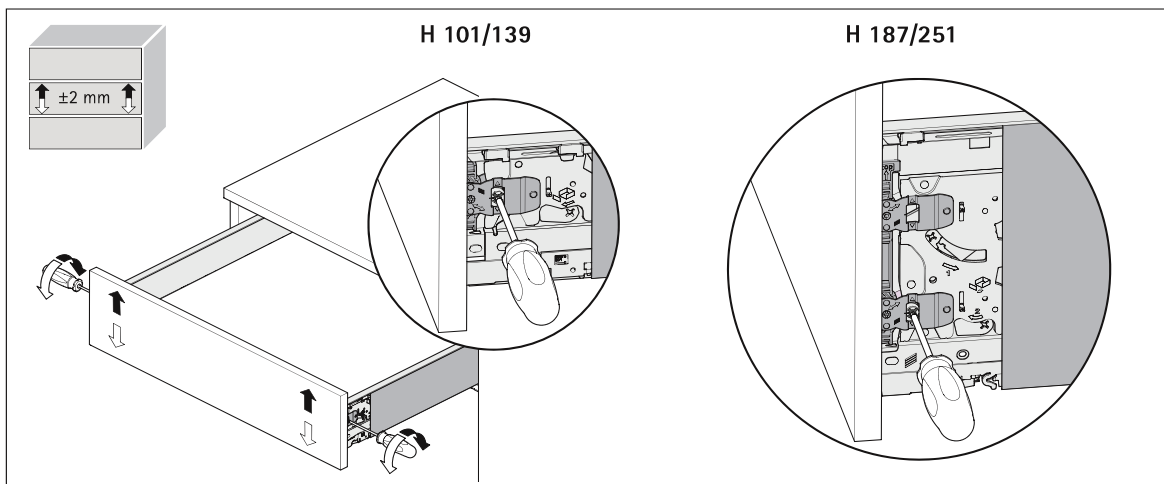
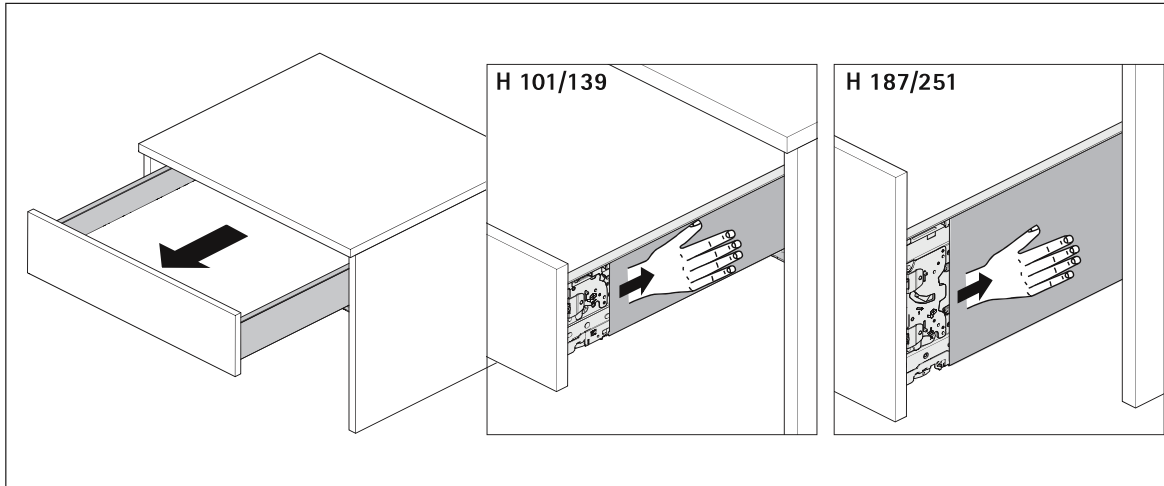
- ▶ For adjusting the drawer front gap with Push to open Silent opening system on drawer runners:
  - Actro YOU
  - Quadro YOU
- ▶ Plastic

Order no.	PU
9 257 326	1 ea.

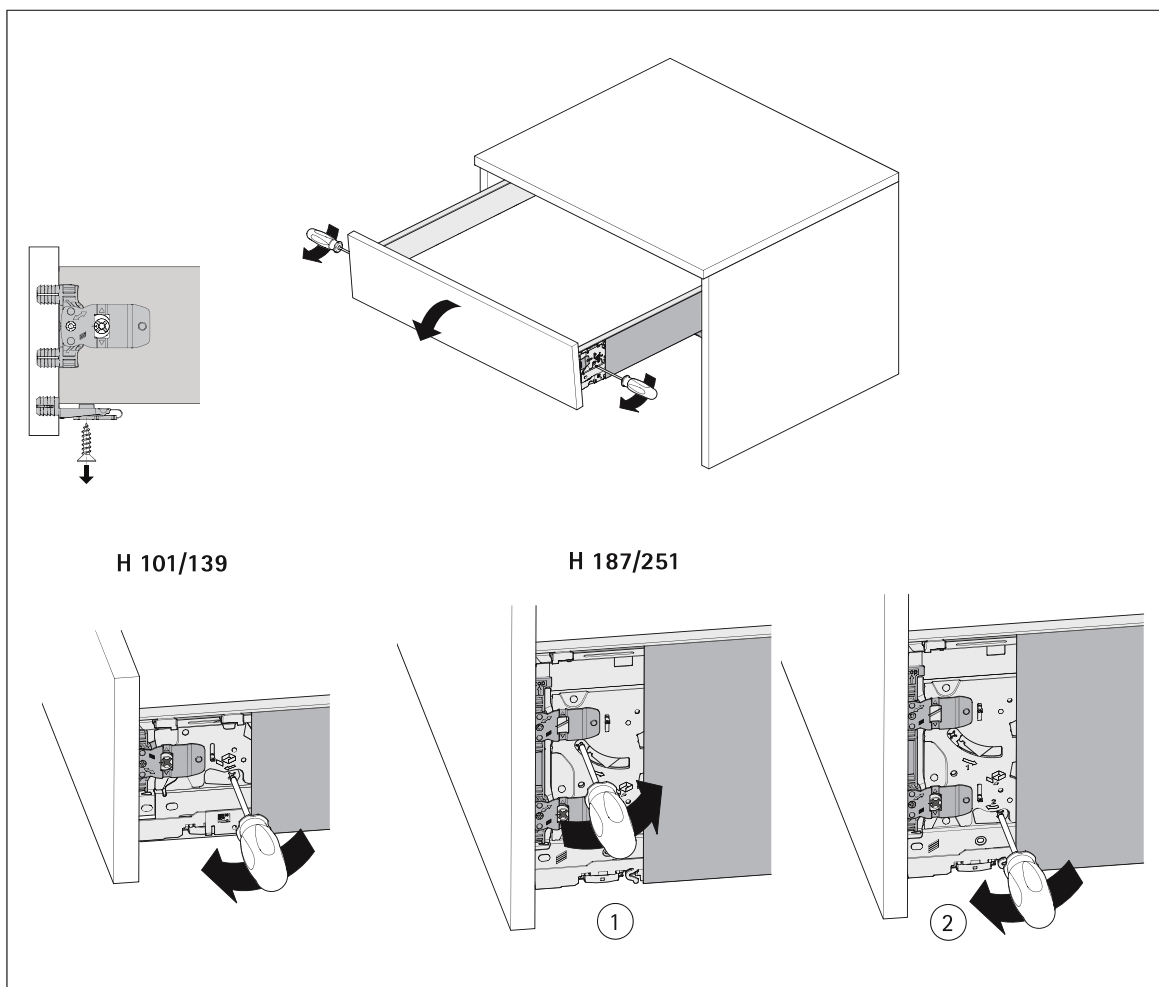
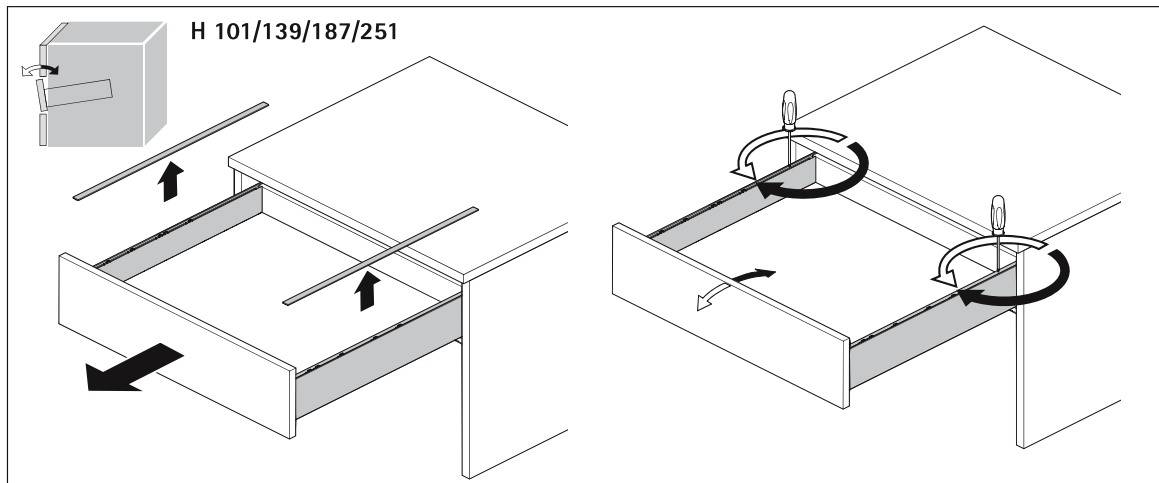
### Planning / installation dimensions



### Planning / installation dimensions



### Planning / installation dimensions





# Order number index

Order no.	Page	Order no.	Page	Order no.	Page	Order no.	Page
0 010 085	30	9 194 986	52	9 255 297	12	9 255 790	33
0 044 934	53	9 194 987	52	9 255 298	12	9 255 791	33
0 045 167	30	9 194 988	52	9 255 299	12	9 255 792	33
0 045 168	30	9 194 989	52	9 255 300	12	9 255 793	33
0 047 452	30	9 194 991	52	9 255 304	14	9 255 797	33
0 071 925	30	9 194 995	52	9 255 305	14	9 255 798	33
0 074 430	53	9 194 996	52	9 255 306	14	9 255 799	33
9 079 207	53	9 194 997	52	9 255 307	14	9 255 800	33
9 079 791	30	9 194 998	52	9 255 308	14	9 255 801	33
9 079 921	73	9 194 999	52	9 255 309	14	9 255 802	33
9 105 101	72	9 195 000	52	9 255 313	16	9 255 815	33
9 123 080	29	9 195 001	52	9 255 314	16	9 255 816	33
9 132 344	75	9 195 002	52	9 255 315	16	9 255 817	33
9 132 375	75	9 195 004	52	9 255 316	16	9 255 818	33
9 132 377	75	9 203 254	58	9 255 317	16	9 255 819	33
9 132 378	75	9 203 465	58	9 255 318	16	9 255 820	33
9 132 380	75	9 203 467	58	9 255 326	10	9 255 824	33
9 132 382	74	9 203 468	58	9 255 327	10	9 255 825	33
9 132 382	75	9 204 283	64	9 255 328	10	9 255 826	33
9 132 383	75	9 204 284	64	9 255 329	10	9 255 827	33
9 132 384	75	9 207 046	62	9 255 330	10	9 255 828	33
9 132 384	75	9 207 047	62	9 255 331	10	9 255 829	33
9 132 385	75	9 207 224	56	9 255 335	12	9 255 831	34
9 132 386	75	9 207 226	56	9 255 336	12	9 255 835	29
9 132 386	75	9 207 227	56	9 255 337	12	9 255 836	29
9 136 187	74	9 207 238	56	9 255 338	12	9 255 838	29
9 136 188	74	9 207 259	63	9 255 339	12	9 255 839	29
9 153 385	63	9 207 260	63	9 255 340	12	9 256 886	44
9 153 388	63	9 207 645	72	9 255 344	14	9 256 888	44
9 182 230	59	9 207 649	72	9 255 345	14	9 256 890	44
9 182 249	59	9 208 750	71	9 255 346	14	9 256 892	44
9 182 250	59	9 208 752	71	9 255 347	14	9 256 894	44
9 194 949	52	9 208 754	75	9 255 348	14	9 256 896	44
9 194 950	52	9 208 757	75	9 255 349	14	9 256 956	44
9 194 951	52	9 209 306	75	9 255 353	16	9 256 971	38
9 194 952	52	9 209 575	61	9 255 354	16	9 257 002	38
9 194 953	52	9 209 582	61	9 255 355	16	9 257 004	38
9 194 954	52	9 219 328	79	9 255 356	16	9 257 006	38
9 194 955	52	9 219 678	79	9 255 357	16	9 257 008	38
9 194 956	52	9 220 394	70	9 255 358	16	9 257 010	38
9 194 957	52	9 220 395	70	9 255 761	33	9 257 034	38
9 194 958	52	9 220 484	74	9 255 762	33	9 257 036	38
9 194 960	52	9 220 486	74	9 255 763	33	9 257 038	38
9 194 962	52	9 220 487	74	9 255 764	33	9 257 040	38
9 194 963	52	9 220 488	74	9 255 765	33	9 257 180	24
9 194 964	52	9 221 295	42	9 255 766	33	9 257 181	24
9 194 965	52	9 221 295	48	9 255 770	33	9 257 182	24
9 194 966	52	9 230 268	59	9 255 771	33	9 257 183	24
9 194 967	52	9 230 269	59	9 255 772	33	9 257 184	24
9 194 968	52	9 236 718	42	9 255 773	33	9 257 185	24
9 194 969	52	9 236 718	48	9 255 774	33	9 257 187	24
9 194 970	52	9 254 997	82	9 255 775	33	9 257 188	24
9 194 971	52	9 255 286	10	9 255 779	33	9 257 189	24
9 194 973	52	9 255 287	10	9 255 780	33	9 257 190	24
9 194 980	52	9 255 288	10	9 255 781	33	9 257 191	24
9 194 981	52	9 255 289	10	9 255 782	33	9 257 192	24
9 194 982	52	9 255 290	10	9 255 783	33	9 257 257	29
9 194 983	52	9 255 291	10	9 255 784	33	9 257 258	29
9 194 984	52	9 255 295	12	9 255 788	33	9 257 262	46
9 194 985	52	9 255 296	12	9 255 789	33	9 257 265	40



# Order number index

Order no.	Page	Order no.	Page
9 257 273	18	9 278 294	54
9 257 274	18	9 278 295	55
9 257 275	18	9 278 296	55
9 257 277	18	9 278 297	55
9 257 278	18	9 278 298	55
9 257 279	18	9 278 299	55
9 257 319	79	9 278 300	55
9 257 321	79	9 278 301	54
9 257 323	80	9 278 302	54
9 257 324	80	9 278 309	60
9 257 325	83	9 278 310	60
9 257 326	83	9 278 312	55
9 257 331	81	9 278 318	57
9 257 633	18	9 278 319	57
9 257 634	18	9 278 320	57
9 257 635	18	9 278 331	57
9 257 637	18	9 278 332	57
9 257 638	18	9 278 333	57
9 257 639	18	9 278 334	68
9 257 641	18	9 278 335	68
9 257 643	35	9 278 336	68
9 257 644	35	9 278 337	68
9 257 645	35	9 278 343	64
9 257 647	35	9 278 344	64
9 257 648	35	9 278 453	43
9 257 649	35	9 278 453	49
9 257 652	20	9 279 203	54
9 257 653	20	9 279 390	69
9 257 658	20	9 279 390	74
9 257 659	20	9 279 391	69
9 257 664	20	9 279 391	74
9 257 665	20	9 279 392	69
9 257 702	29	9 279 392	74
9 257 704	33	9 279 393	69
9 257 705	33	9 279 393	74
9 257 735	18	9 279 394	69
9 257 736	18	9 279 394	74
9 257 813	83	9 279 396	69
9 257 884	29	9 279 396	74
9 257 885	29	9 279 397	69
9 257 887	29	9 279 397	74
9 257 888	29	9 279 398	69
9 257 890	42	9 279 398	74
9 257 891	42	9 279 399	69
9 257 892	42	9 279 399	74
9 257 893	42	9 283 173	21
9 257 894	48	9 283 174	21
9 257 895	48	9 283 176	21
9 257 896	48	9 283 177	21
9 262 213	42	9 285 179	78
9 262 213	48		
9 268 149	30		
9 268 677	24		
9 268 681	38		
9 278 224	30		
9 278 225	30		
9 278 249	59		
9 278 291	54		
9 278 292	54		
9 278 293	54		

## ► Quality criteria

### Quality that meets all the demands

The quality of the drawer systems is monitored continuously. Hettich fittings comply with the national and international quality standards of the markets our customers operate in. The diagrams below show some of the tests Hettich fittings are required to pass.

#### Application area

Hettich drawer systems are suitable for use in living room, kitchen, bathroom and office furniture both in the home and business environment.

#### Load capacity and guards preventing unintentional detachment / removal

The load capacity indicated (to DIN EN 15338) is understood to mean the weight of the drawer itself, including contents, in kg. The applicable level is shown on the product. The load capacity refers to a reference length of 500 mm. The load capacity may vary for other

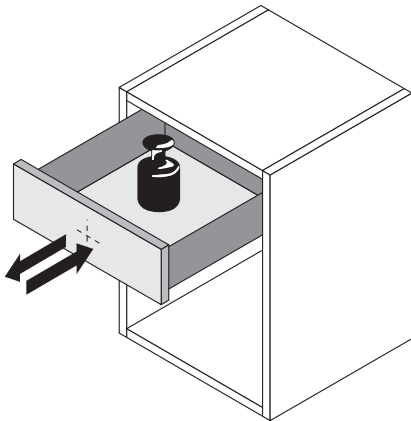
nominal lengths. All Hettich drawer systems feature guards to prevent the drawer from rolling out and being removed unintentionally and meet the requirements of the impact test in a test frame to EN 15338. Fitted in the proper manner, the drawer systems are suitable for furniture defined in EN 14749. The maximum front panel height depends in particular on the material, drawer size and drawer runner. Testing is conducted on drawers with a 130 mm front panel height and pot-and-pan drawers with a 300 mm front panel height. We will be pleased to provide any further information you may require.

#### Corrosion test

Hettich runner systems satisfy the requirements on corrosion defined in DIN EN 15338, 72 hour condensation water test to DIN EN 6270.

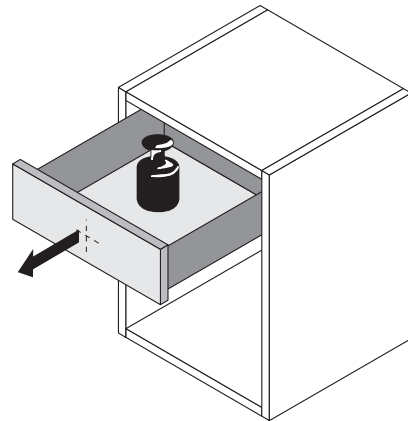
### Wear test

The fully laden drawer must remain in proper working order after opening and closing it for a defined number of times at a defined test velocity.



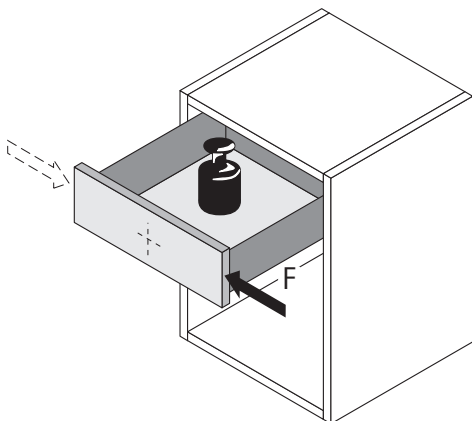
### Retention-on-opening test

The fully laden drawer is abruptly opened all the way several times at a defined test velocity.



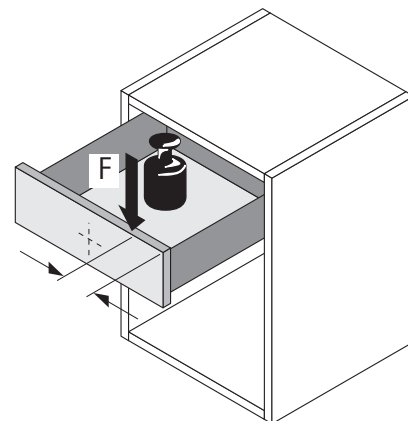
### Horizontal load test

Opened all the way, the fully laden drawer is additionally exposed to horizontal strain from a defined lateral force.



### Vertical strain test

Opened all the way, the drawer is additionally exposed to vertical strain from a defined eccentric force.



## Technical information & legal notice

### General technical conditions

The fitting information, screw fixing points and load capacity information contained in this document assume proper attachment using screws specified by Hettich to a chipboard panel providing a screw pull out resistance of at least 1,000 N in accordance with EN 320.

Hettich accepts no responsibility for the load capacity of furniture and its components if materials or fastening methods are used other than those stated; the furniture manufacturer must verify load capacity.

The fitting situations show in this catalogue are only intended to illustrate the possible options. The furniture manufacturer is responsible for ensuring that furniture is designed in compliance with standards, in particular with regard to meeting the requirements on safety.

We will be pleased to provide any further information you may require.

### General Terms of Sale and Delivery

All products and services will be provided exclusively on the basis of our General Terms of Sale and Delivery published on our website at [www.hettich-agb.com](http://www.hettich-agb.com).

### Legal notice

© Hettich Marketing- und Vertriebs GmbH & Co. KG  
32602 Vlotho, Germany

July 2020

We reserve all rights to this catalogue under copyright law. It shall not be permissible to duplicate this catalogue in any form either in whole or in part without our written consent. Subject to technical alterations. Errors and omissions excepted. Subject to colour variations.

Order no. 9 294 062

[www.hettich.com](http://www.hettich.com)

Order no.: 9 294 062  
2002-019\_AvanTech-YOU\_cz/20\_HUK/en

Technik für Möbel

  
**Hettich**