

HORIZON

NEW ZEALAND



Beautifully Crafted.



50 *Years*

With 50 years experience, Kemlan has developed a proven and strong distribution network to service our product and customers. We highly recommend customers purchase from these authorised dealers who provide rigorous and complete customer service. Purchase of a product online is strongly not recommended, as service, safety and customer satisfaction cannot be guaranteed.

Founded from humble beginnings in 1969, Kemlan Industries is today one of the world's leading specialist fireplace design and manufacturing companies. Proud to have remained family owned. Every Kemlan fireplace is crafted to exacting standards of quality, reliability, and innovative design supported by outstanding service.



CELESTIAL FREESTANDER

URBAN AND RURAL



FEATURES

- Low 1.5 g/kg particulate
- Up to 10 hours burn time
- Folded 6mm steel firebox, firebrick lined with n14 ceramic baffle creating a robust and durable fire box
- The large clean ceramic glass-viewing area features a preheated primary airwash system which ensures a clean view of the fire
- 68% efficiency
- 10 year warranty
- 3mm mild steel secondary air tubes that will give a long life through many years of hot burns
- Premium ceramic baffles that will never bow or wear-out from excessive heat



CLEAN BURN
1.5 g/kg



LONG BURN
TIMES



HIGH HEAT
OUTPUT
220 - 360m²

CELESTIAL 900 FAN INSERT

URBAN AND RURAL



FEATURES

- Low 1.5g/kg emission rate
- Up to 10 hours burn time
- optional zero clearance kit available so it can be installed into timber frame work
- Folded 6mm steel firebox, firebrick lined with n14 ceramic baffle creating a robust and durable fire box
- Convenient and highly efficient Heat Zone Technology
- Firebrick-lined floor with baffle plate and 6mm steel back plate for a robust and durable firebox
- The large clean ceramic glass-viewing area features a preheated primary airwash system which ensures a clean view of the fire
- 68% efficiency
- 10 year warranty
- Standard 2 speed fan to maximize your convection air output
- 3mm mild steel secondary air tubes that will give a long life through many years of hot burns
- Premium ceramic baffles that will never bow or wear-out from excessive heat



LOW CLEAN
BURN
1.5 g/kg



LONG BURN
TIMES



HIGH HEAT
OUTPUT
220 - 360m²

CUBE SINGLE

STANDARD BASE • URBAN AND RURAL



FEATURES

- Environmentally friendly
- Standard colour: Satin Black
- Folded 6mm steel firebox
- Single sided unit comes with fan
- Large glass ceramic viewing area
- Preheated primary airwash system ensures a clean view of the fire
- Superb radiant and convection heater
- 67% efficiency
- 10 year warranty
- Natural convection system
- 3mm mild steel secondary air tubes that will give a long life through many years of hot burns
- Premium ceramic baffles that will never bow or wear-out from excessive heat
- The firebox is constructed from 6mm laser cut mild steel



CLEAN
BURNING
1.1 g/kg



LONG BURN
TIMES



HIGH HEAT
OUTPUT
180-260m²

CUBE BASE OPTIONS

CUBE DOUBLE SIDED • RURAL - OVER 2 HECTARES ONLY



MERIDIAN WITH OPTIONAL
STAINLESS STEEL TRIM



CUBE DOUBLE SIDED
WITH SPHERE BASE

TEMPO SERIES

RURAL - OVER 2 HECTARES ONLY



TEMPO 3 PEDESTAL



TEMPO 3 LEGS

FEATURES

- Environmentally friendly
- Preheated primary airwash system ensures a clean view of the fire
- Superb radiant heater
- Large glass ceramic viewing area
- High heat output
- Natural convection system
- 10 year warranty
- Cook top surface
- 3mm mild steel secondary air tubes that will give a long life through many years of hot burns
- Premium ceramic baffles that will never bow or wear-out from excessive heat
- The firebox is constructed from 6mm laser cut mild steel



LONG BURN
TIMES



HIGH HEAT
OUTPUT
90 - 180m²



TEMPO STACK

FEATURES

- Environmentally friendly
- Preheated primary airwash system ensures a clean view of the fire
- Superb radiant heater
- Large glass ceramic viewing area
- High heat output
- Natural convection system
- 10 year warranty
- Convenient wood storage
- Cook top surface
- 3mm mild steel secondary air tubes that will give a long life through many years of hot burns
- Premium ceramic baffles that will never bow or wear-out from excessive heat
- The firebox is constructed from 6mm laser cut mild steel



LONG BURN
TIMES



HIGH HEAT
OUTPUT
90 - 180m²

SUPER NOVA INSERT

RURAL - OVER 2 HECTARES ONLY



FEATURES

- The large clean ceramic glass-viewing area features a preheated primary airwash system which ensures a clean view of the fire
- 10 year warranty
- Standard colour: Satin Black
- Standard 2 speed fan
- Adjustable depth firebox, perfect for existing brick fireplace conversions.
- 3mm mild steel secondary air tubes that will give a long life through many years of hot burns
- Premium ceramic baffles that will never bow or wear-out from excessive heat
- The firebox is constructed from 6mm laser cut mild steel



LONG BURN
TIMES



HIGH HEAT
OUTPUT
180-240m²

Please refer to specification page for unit dimensions.

CELESTIAL 900 INBUILT

RURAL - OVER 2 HECTARES ONLY



FEATURES

- Up to 10 hours burn time
- Zero-Clearance (into metal framework) box comes as standard
- Folded 6mm steel firebox, firebrick lined with n14 ceramic baffle creating a robust and durable fire box
- Convenient and highly efficient Heat Zone Technology
- Firebrick-lined floor with baffle plate and 6mm steel back plate, for a robust and durable firebox
- The large clean ceramic glass-viewing area features a preheated primary airwash system which ensures a clean view of the fire
- 10 year warranty
- 3mm mild steel secondary air tubes that will give a long life through many years of hot burns
- Premium ceramic baffles that will never bow or wear-out from excessive heat



LONG BURN
TIMES



HIGH HEAT
OUTPUT
220 - 360m²

TEMPO GRAND

RURAL - OVER 2 HECTARES ONLY



FEATURES

- Environmentally friendly
- Preheated primary airwash system ensures a clean view of the fire
- Superb radiant heater
- Large glass ceramic viewing area
- High heat output
- Natural convection sides
- Cook top surface
- 10 year warranty
- Optional fan
- 3mm mild steel secondary air tubes that will give a long life through many years of hot burns
- Premium ceramic baffles that will never bow or wear-out from excessive heat
- The firebox is constructed from 6mm laser cut mild steel



LONG BURN TIMES



HIGH HEAT OUTPUT
180-260m²

C24 SERIES

RURAL - OVER 2 HECTARES ONLY



C24

C24 BLACK

FEATURES

- The Firebox is constructed from 6mm thick laser cut mild steel
- Firebrick-lined floor with ceramic sides and baffle plate and 6mm steel back plate for a robust and durable firebox
- 6 -10mm cast iron top convection chamber, base and legs
- 6mm heavy duty steel firebox and fully welded 25mm thick firebrick lined floor
- Standard Colour - Metallic Black
- 10 year warranty
- Optional 3 speed fan
- 3mm mild steel secondary air tubes that will give a long life through many years of hot burns
- Premium ceramic baffles that will never bow or wear-out from excessive heat



LONG BURN TIMES



HIGH HEAT OUTPUT
180-260m²

SUPER NOVA FREESTANDER

RURAL - OVER 2 HECTARES ONLY



FEATURES

- Environmentally friendly
- Preheated primary airwash system ensures a clean view of the fire
- Fully shielded convection firebox
- Large glass ceramic viewing area
- High heat output
- Natural convection system
- 10 year warranty
- Optional 3 speed fan
- 3mm mild steel secondary air tubes that will give a long life through many years of hot burns
- Premium ceramic baffles that will never bow or wear-out from excessive heat
- The firebox is constructed from 6mm laser cut mild steel



LONG BURN
TIMES



HIGH HEAT
OUTPUT
180-260m²

XL FREESTANDING

RURAL - OVER 2 HECTARES ONLY



FEATURES

- Firebrick-lined floor with ceramic sides and baffle plate and 8mm steel back plate for a robust and durable firebox
- The large clean ceramic glass-viewing area features a preheated primary airwash system which ensures a clean view of the fire
- Standard colour: Satin Black
- 10 year warranty
- Standard 3 speed fan
- 3mm mild steel secondary air tubes that will give a long life through many years of hot burns
- Premium ceramic baffles that will never bow or wear-out from excessive heat



LONG BURN
TIMES



HIGH HEAT
OUTPUT
240-360m²

COUPE SERIES

RURAL - OVER 2 HECTARES ONLY

FREESTANDING, IN-BUILT OR WALL PENETRATION

The Kemlan Coupe Series is a double-sided unit that comes in freestanding, in-built or wall penetration models. The Kemlan Coupe burns safely, with the flame behind two large, strong ceramic glass viewing areas on either side. The advanced airwash system keeps the ceramic glass clean throughout the life of the fire and the full shielded firebox incorporates a two-way natural convection system. The Kemlan Coupe system beautifully distributes warmth evenly between two rooms and an optional two-speed fan is available to increase circulation with fan forced convection.



Coupe Inbuilt



COUPE WALL PENETRATION & INBUILT FEATURES

- Firebrick-lined floor with baffle plate and 6mm steel back plate for a robust and durable firebox
- Unique double-sided fire
- Can be loaded from either side
- Pre- heated air-wash system ensures a clean view from both sides
- Suites single or double brick install
- 2 speed fan standard
- Satin Black standard
- 6mm laser cut mild steel firebox
- Unique Pyro- ceramic baffle
- 10 year warranty
- 3mm mild steel secondary air tubes that will give a long life through many years of hot burns
- Premium ceramic baffles that will never bow or wear-out from excessive heat



LONG BURN TIMES

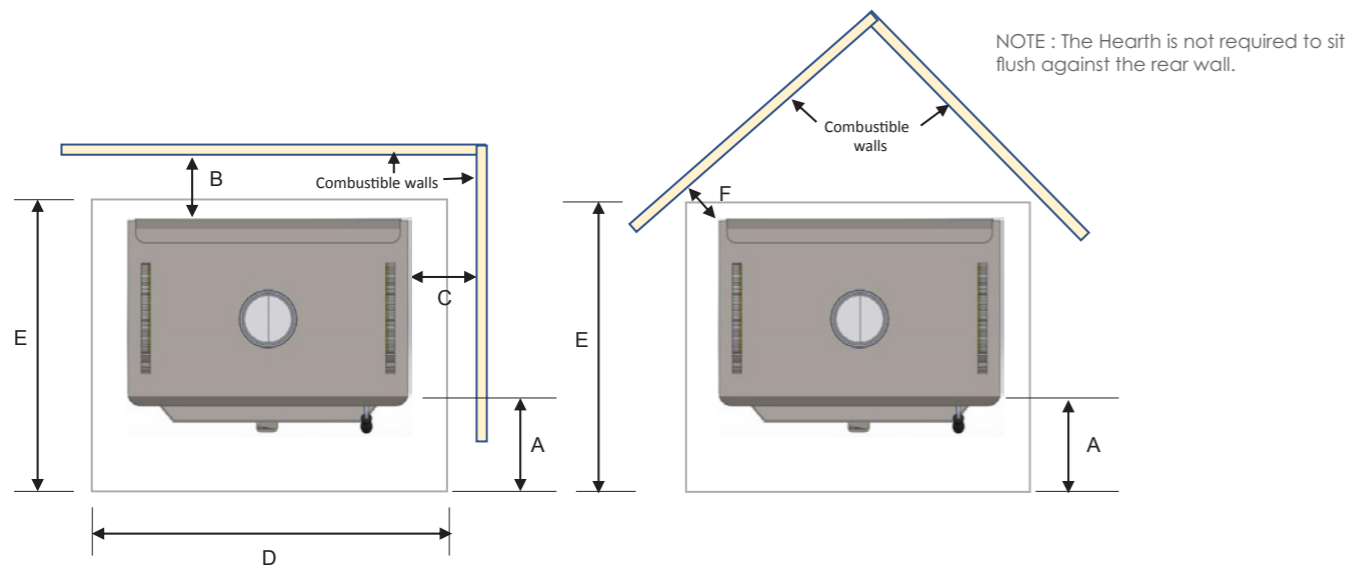


HIGH HEAT OUTPUT
180-220m²

SPECIFICATIONS

FREESTANDING CLEARANCES

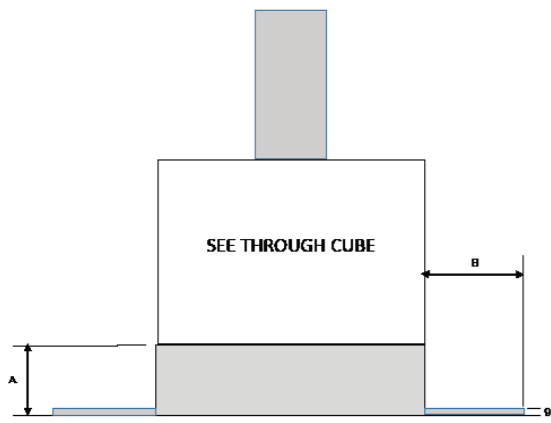
MINIMUM CLEARANCES TO HEAT SENSITIVE MATERIALS AND MINIMUM FLOOR PROTECTOR REQUIREMENTS



MODEL	A (mm)	B (mm)	C (mm)	D (mm)	E (mm)	F (mm)
TEMPO GRAND	560	250	450	895	1135	200
TEMPO 3	300	225	250	800	755	125
TEMPO STACK	300	225	250	800	755	125
C24 / C24 CLASSIC	350	150	450	850	1025	225
XL	500	70	490	650	1375	50
CELESTIAL	725	70	350	1180	1115	45
SUPER NOVA F/S	360	115	325	895	793	125
CUBE	300	90	300	875	1004	125

One 900mm length of heatshield must be fitted to the flue to achieve clearances to heat sensitive materials (measurements A B C D E F). For all freestanding models a floor protector is required where the floor is heat sensitive. Thickness to be a minimum of 9mm heat resistant material. With regard to the Coupe Insert and Wall Penetration units; they both require 9mm of non combustable sheet below the unit. All dimensions shown are approximate. Check all dimensions accurately before installation. Before installation refer to the installation instructions. In line with our policy of continuous improvement, we reserve the right to alter specifications without notice.

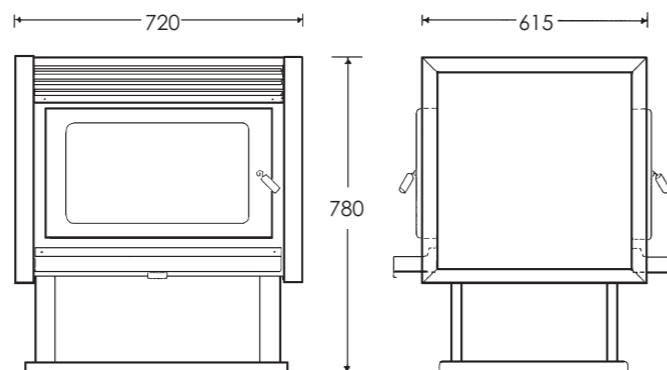
Cube + See Through Cube Hearth Clearances



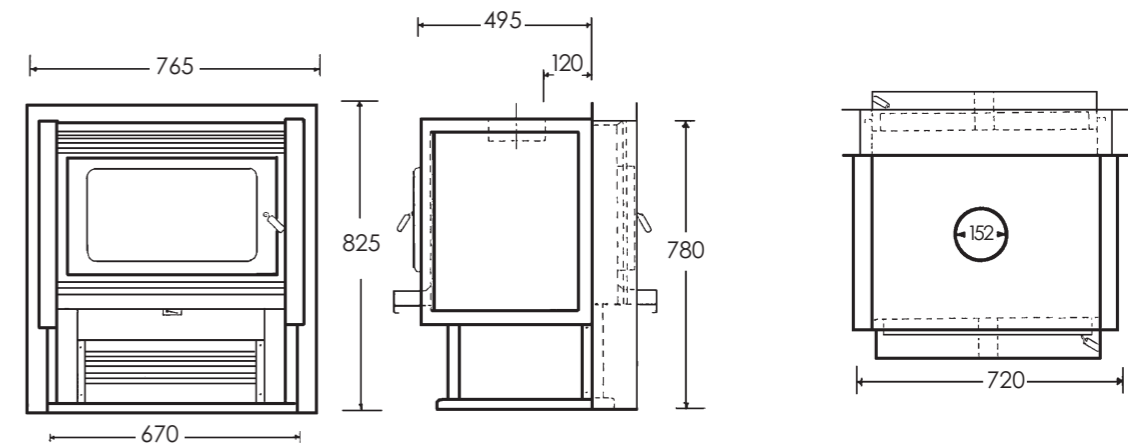
A	UNIT HEIGHT ABOVE FLOOR	300 MIN
B	HEARTH DIMENSION FORWARD OF UNIT	300

Coupe Freestanding

Clearances
Side Wall - 350mm

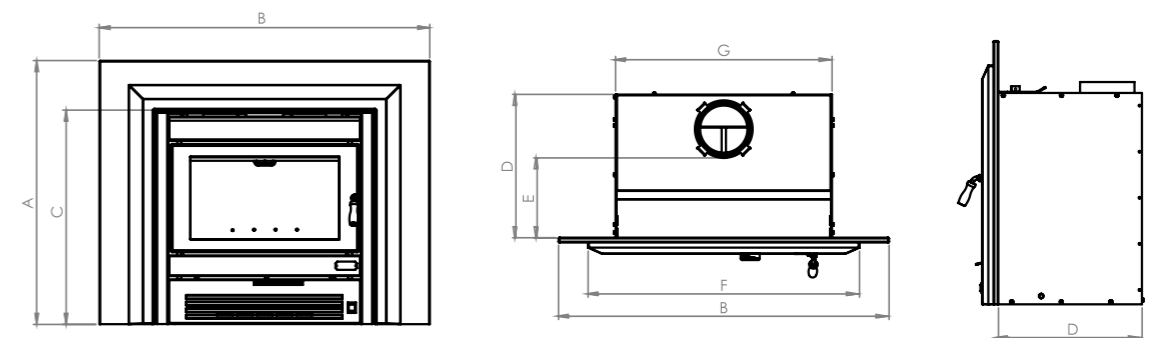


COUPE WALL PENETRATION



IN-BUILT CLEARANCES

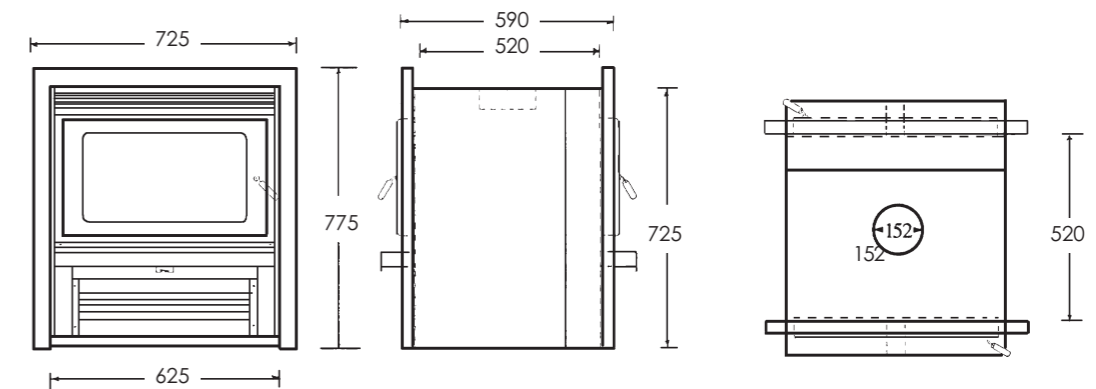
Super Nova



MODEL	A (mm)	B (mm)	C (mm)	D# (std./c.iron)	E# (std./c.iron)	F (mm)	G (mm)	kW**	% Eff.	Fuel Consumption* (kg/hr)	Weight (kg)
SUPER NOVA	800	1000	640	420/460	230/280	660	660	14.5	63	2.4kg/hr	128

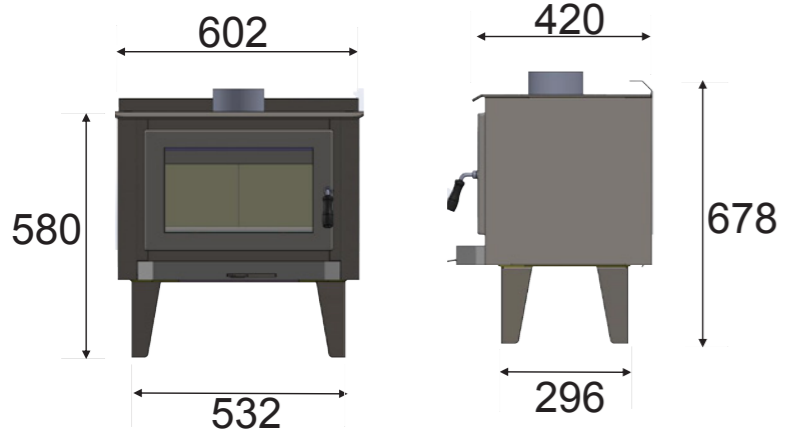
#Reference to cast iron fascia (D & E) only relates to Super Nova. Sizes vary due to design and style. A fan must be installed if a timber mantle is used. Flue Size - 150mm.

COUPE IN-BUILT

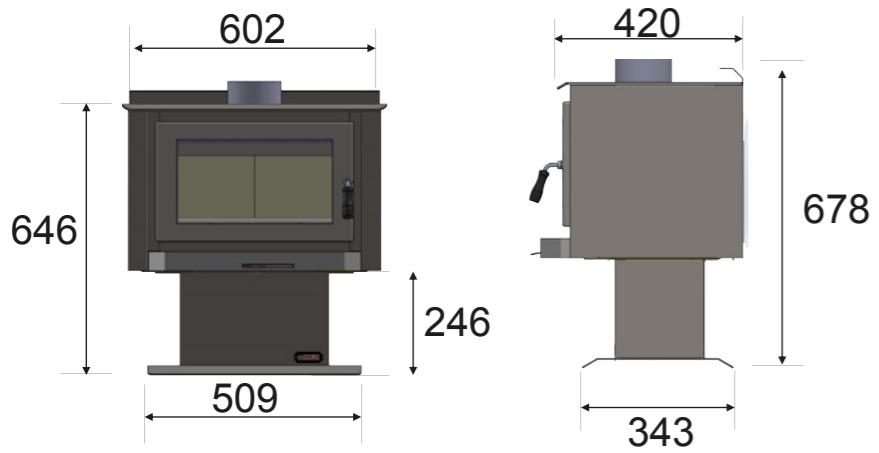


TEMPO SERIES

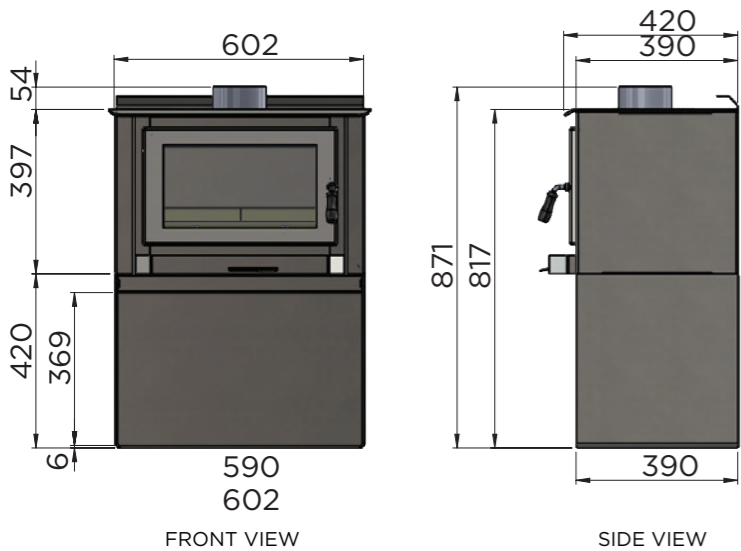
TEMPO 3 LEGS



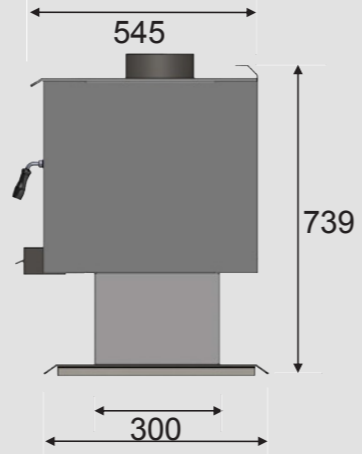
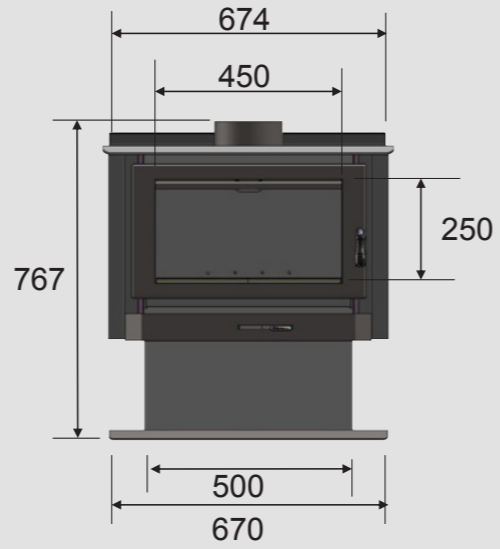
PEDESTAL



STACK

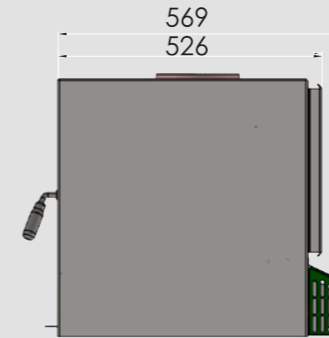
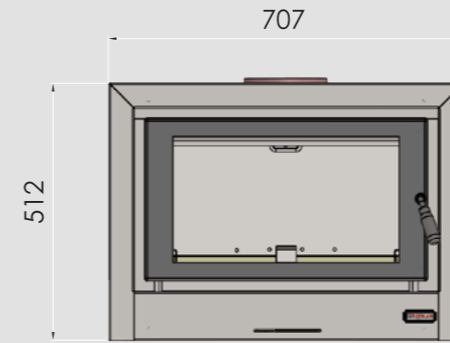


TEMPO GRAND

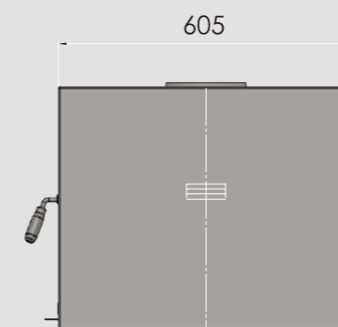
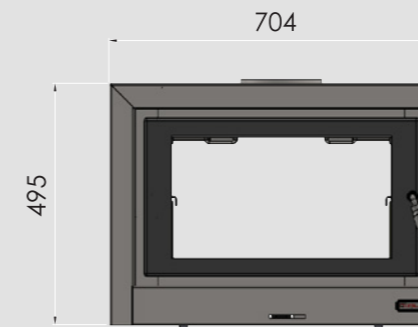


CUBE

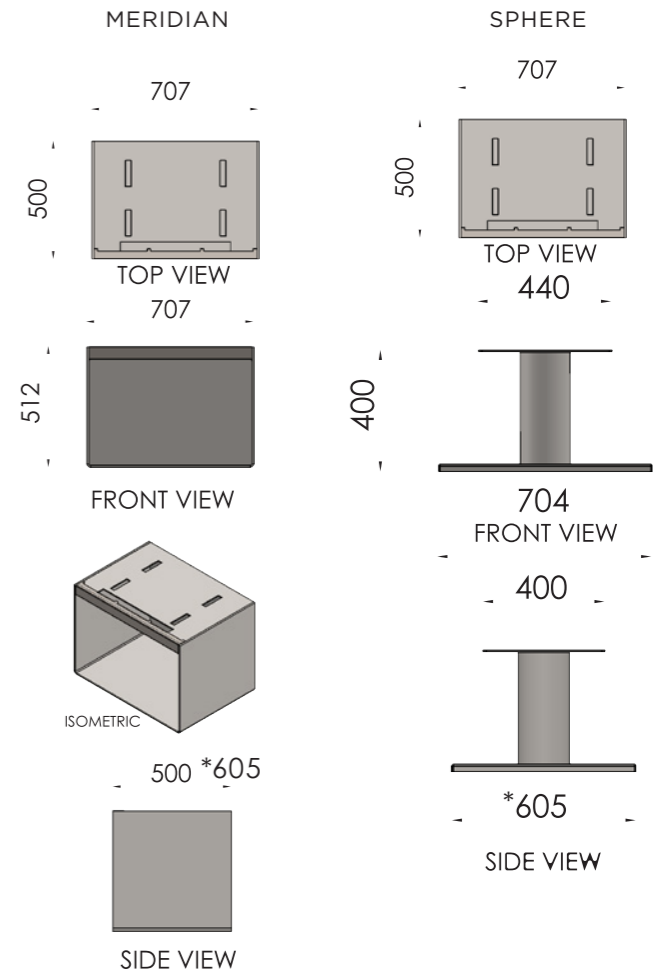
SINGLE SIDED



DOUBLE SIDED

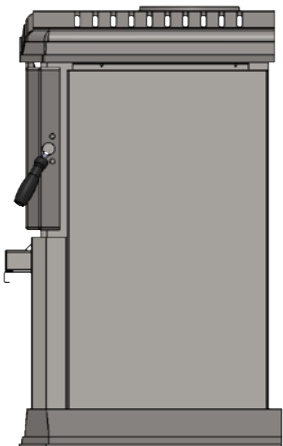
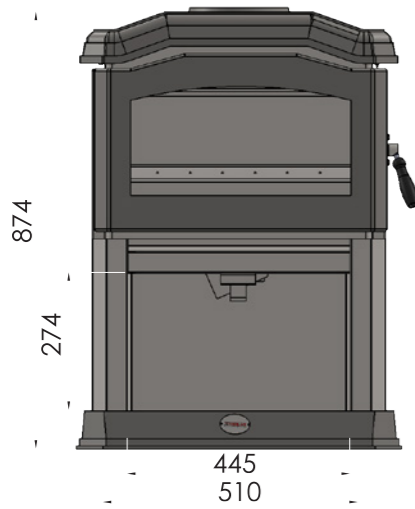
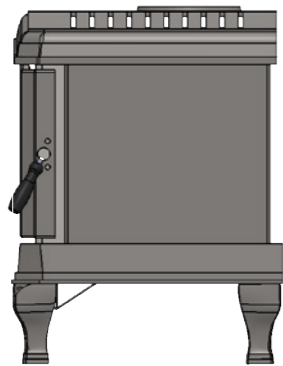
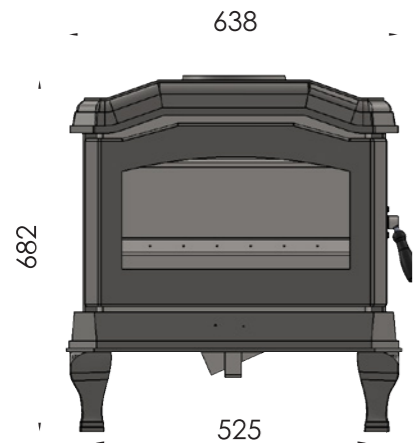


CUBE BASE OPTIONS

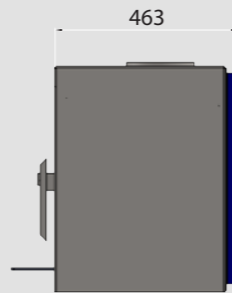
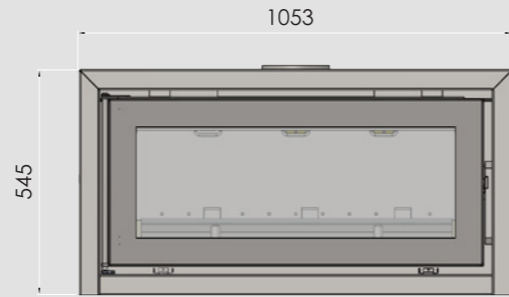


*605 double sided base depth
 custom sizes available

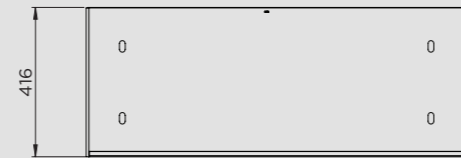
C24 SERIES



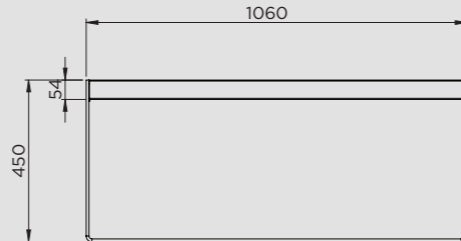
CELESTIAL FREESTANDER



MERIDIAN BASE OPTION



TOP VIEW

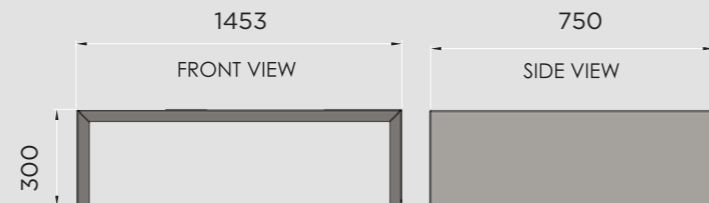


FRONT VIEW

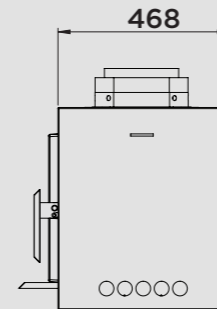
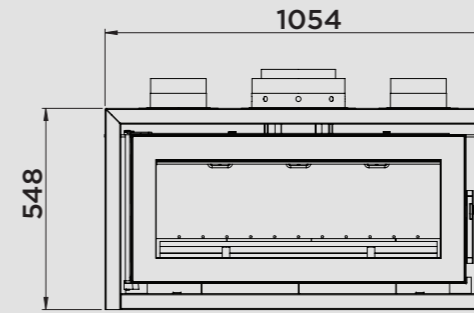


SIDE VIEW

STANDARD BASE FOR CELESTIAL 900

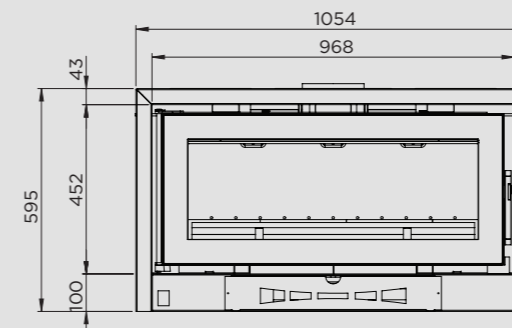
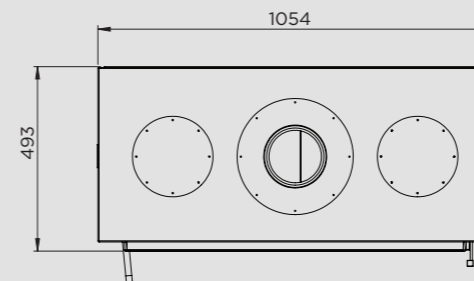


CELESTIAL 900 INSERT

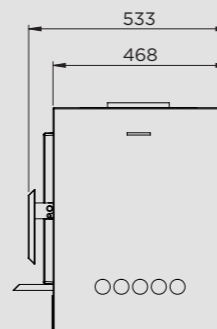


CELESTIAL 900 FAN FORCED

TOP VIEW

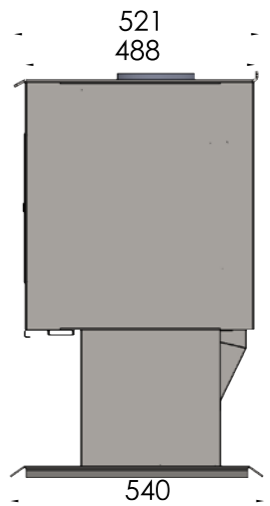
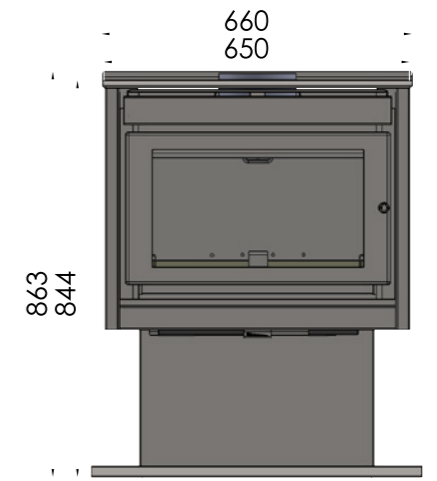


FRONT VIEW

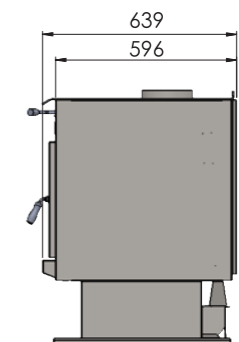
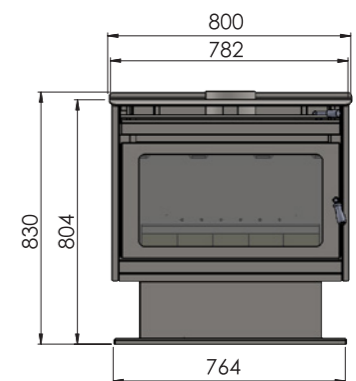


SIDE VIEW

SUPER NOVA FREE STANDER



XL FREESTANDING



NOTES

A large rectangular area with a white background and a thin black border, containing ten horizontal lines for writing notes. This area is framed by a thick, metallic orange border.



Reliability | Innovation | Service | Quality

For the entire Horizon New Zealand range, visit your nearest showroom

www.horizonfires.co.nz | 09 525 0800

47 Remuera Road, Auckland 1050