



Marlene Hudson Design
Rotorua

mobile 027 525 4677
marlene@marlenehudsonsdesign.co.nz
www.marlenehudsonsdesign.co.nz

All plans, drawings, specifications and content of this design are protected by copyright.

Use of plans and drawings is prohibited unless purchased and paid for in full.

When you buy plans, you are buying a license to use the plans. Copyright is not assigned to the purchaser.

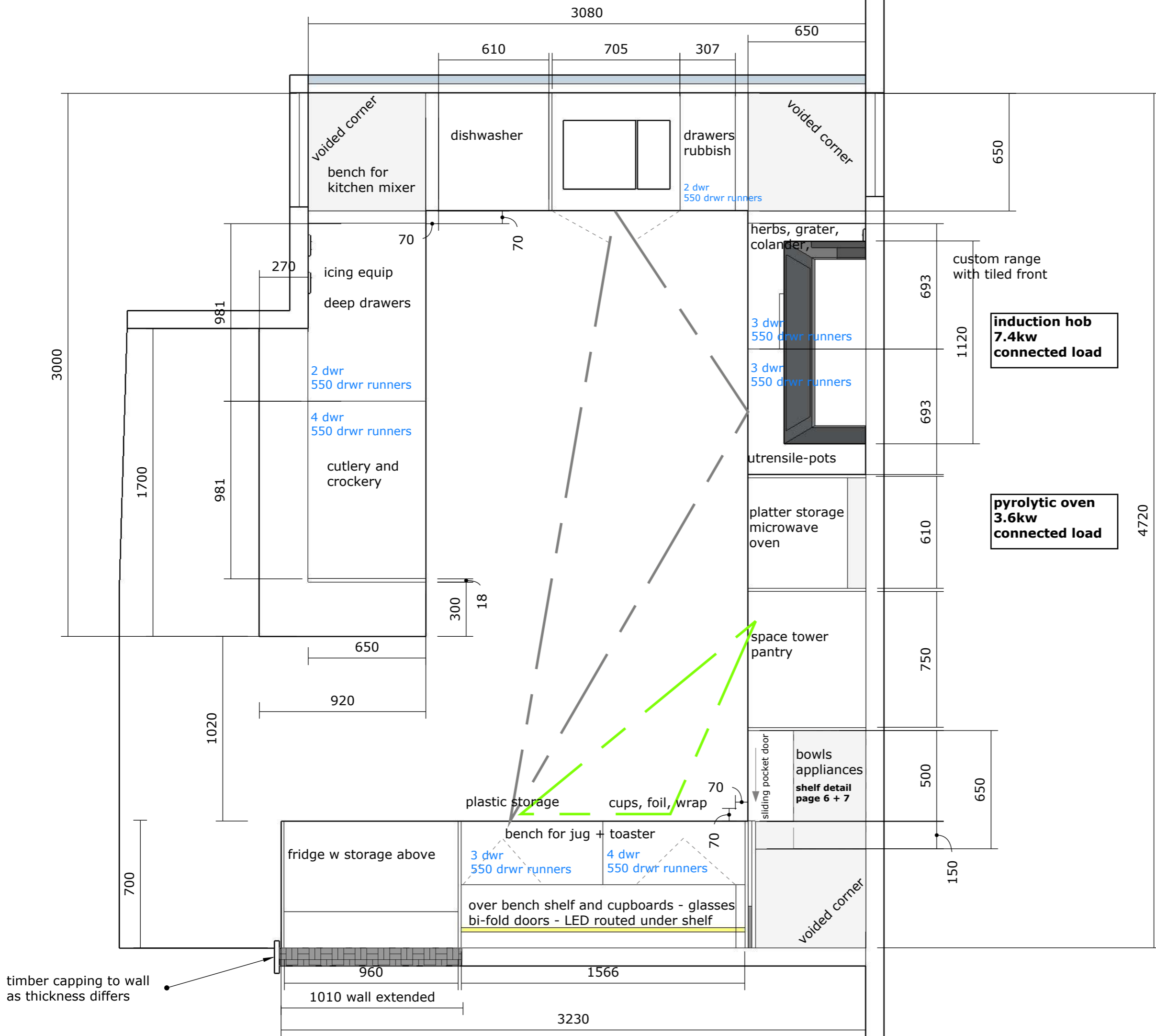
The plans may not be re-sold, given or distributed in any way without the copyright holders written permission.

Site measurements should be done before work commences to verify plan dimensions. Variations should be discussed with designer

PROJECT
Kitchen renovation

SCALE
1-20 @ A3

**JOINER
TO BUILD**





Marlene Hudson Design
Rotorua

mobile 027 525 4677
marlene@marlenehudsondesign.co.nz
www.marlenehudsondesign.co.nz

All plans, drawings, specifications and content of this design are protected by copyright.

Use of plans and drawings is prohibited unless purchased and paid for in full.

When you buy plans, you are buying a license to use the plans. Copyright is not assigned to the purchaser.

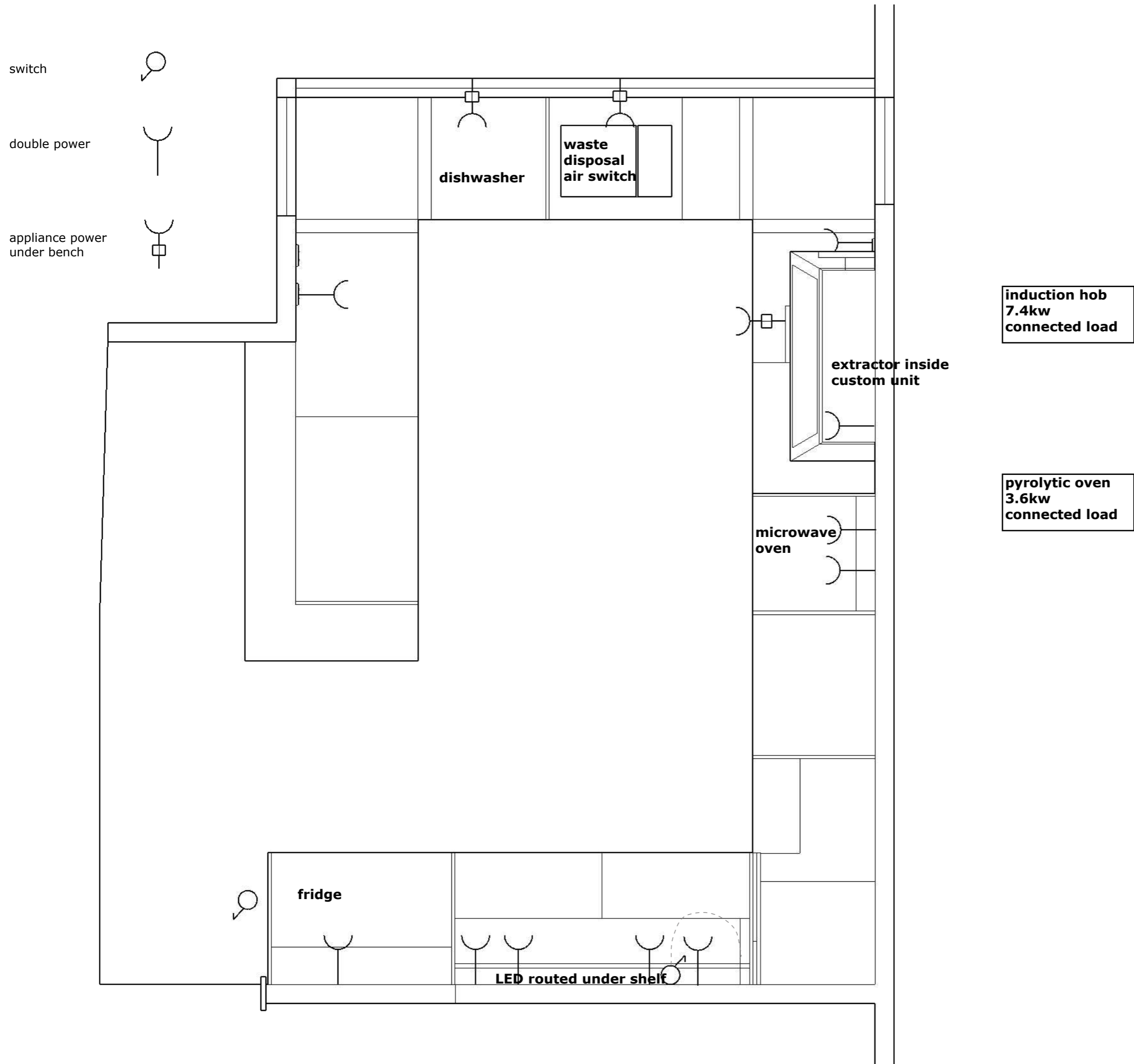
The plans may not be re-sold, given or distributed in any way without the copyright holders written permission.

Site measurements should be done before work commences to verify plan dimensions. Variations should be discussed with designer

PROJECT
Kitchen renovation

SCALE
1-20 @ A3

**JOINER
TO BUILD**



Marlene Hudson Design
Rotorua

mobile 027 525 4677
marlene@marlenehudsondesign.co.nz
www.marlenehudsondesign.co.nz

All plans, drawings, specifications and content of this design are protected by copyright.

Use of plans and drawings is prohibited unless purchased and paid for in full.

When you buy plans, you are buying a license to use the plans. Copyright is not assigned to the purchaser.

The plans may not be re-sold, given or distributed in any way without the copyright holders written permission.

Site measurements should be done before work commences to verify plan dimensions. Variations should be discussed with designer

PROJECT
Kitchen renovation

SCALE
1-20 @ A3

**JOINER
TO BUILD**



Marlene Hudson Design
Rotorua

mobile 027 525 4677
marlene@marlenehudsondesign.co.nz
www.marlenehudsondesign.co.nz

All plans, drawings, specifications
and content of this design are
protected by copyright.

Use of plans and drawings is
prohibited unless purchased and paid
for in full.

When you buy plans, you are buying
a license to use the plans. Copyright
is not assigned to the purchaser.

The plans may not be re-sold, given
or distributed in any way without the
copyright holders written permission.

Site measurements should be done
before work commences to verify
plan dimensions. Variations should
be discussed with designer

PROJECT
Kitchen renovation

SCALE
1-20 @ A3

**JOINER
TO BUILD**





Marlene Hudson Design
Rotorua

mobile 027 525 4677
marlene@marlenehudsonsdesign.co.nz
www.marlenehudsonsdesign.co.nz

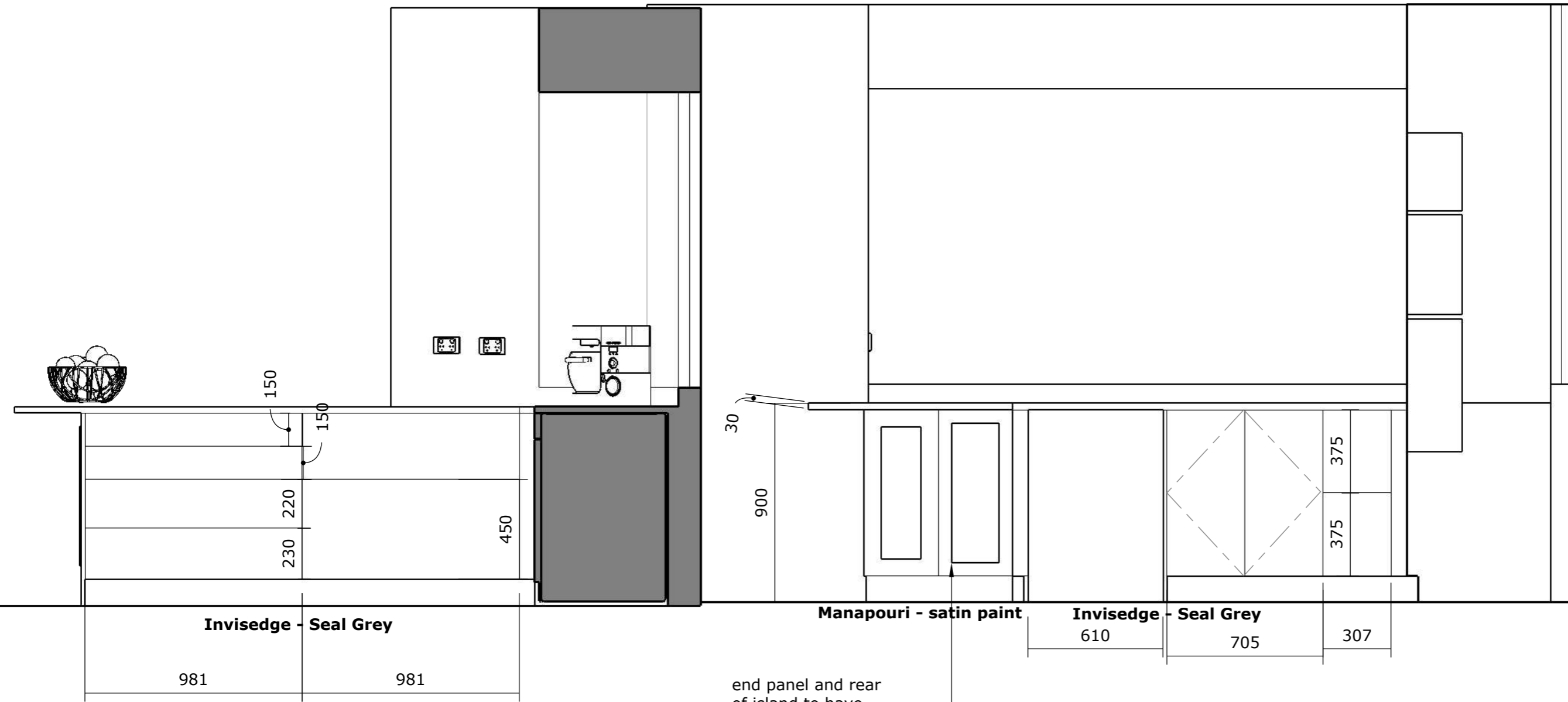
All plans, drawings, specifications and content of this design are protected by copyright.

Use of plans and drawings is prohibited unless purchased and paid for in full.

When you buy plans, you are buying a license to use the plans. Copyright is not assigned to the purchaser.

The plans may not be re-sold, given or distributed in any way without the copyright holders written permission.

Site measurements should be done before work commences to verify plan dimensions. Variations should be discussed with designer



cutlery
utensils
crockery
serving platters/bowls

icing bits n bobs
baking ingredients

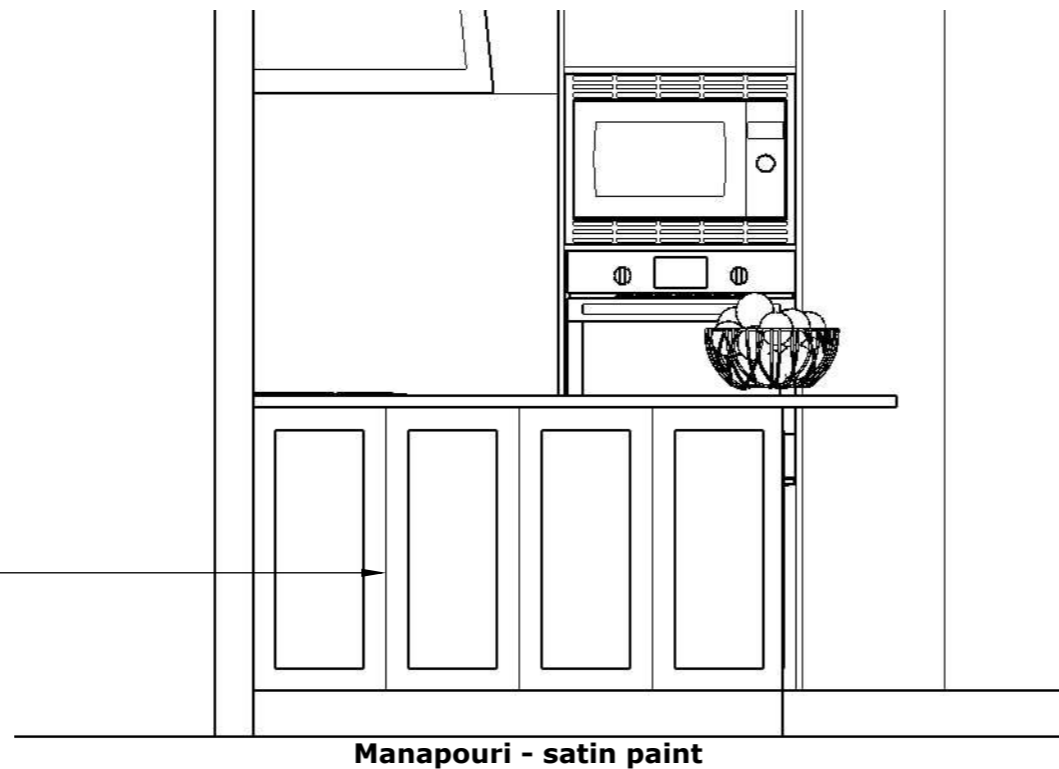
end panel and rear
of island
to have
shaker panels

dishwasher

sink
waterfall shelf
spazio plumbing kit
tea towel rails

rubbish bins
2 x 12lt

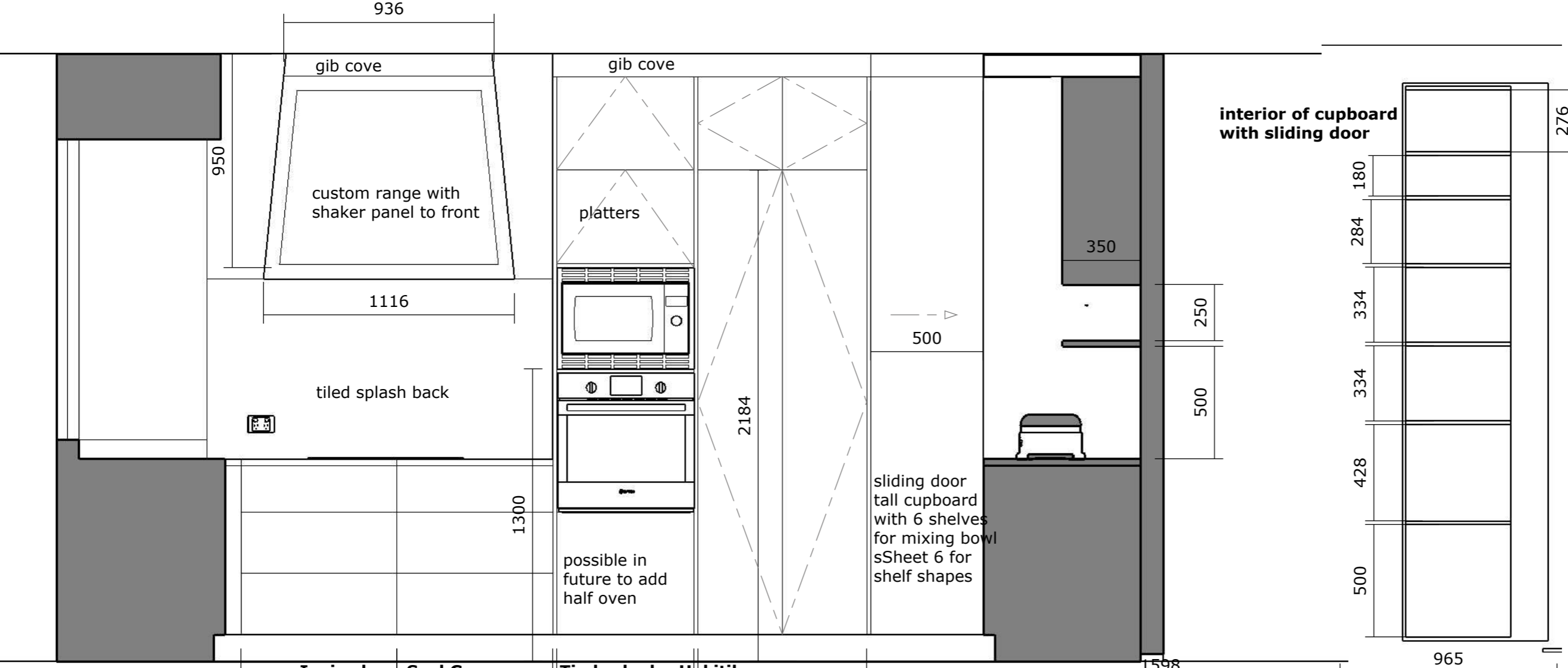
rear of island
shaker panels



PROJECT
Kitchen renovation

SCALE
1-20 @ A3

**JOINER
TO BUILD**



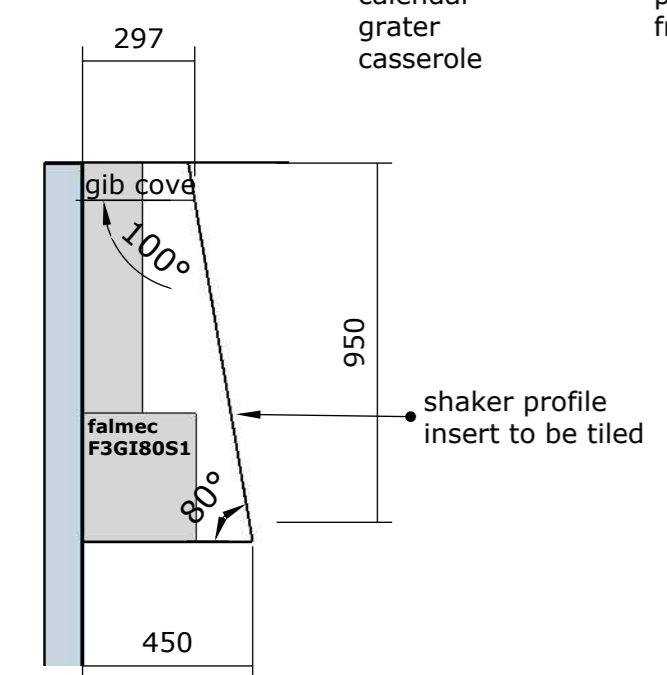
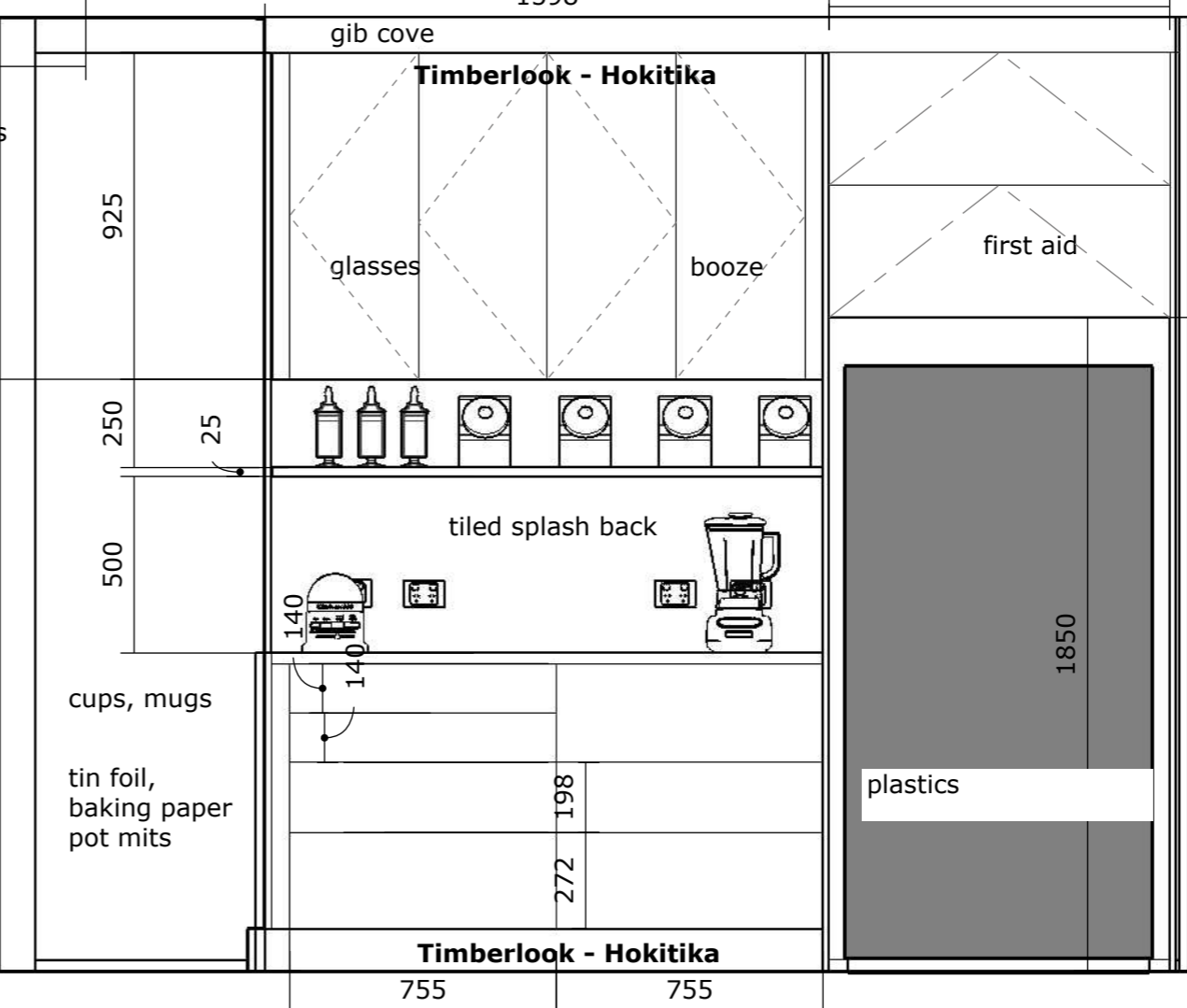
Invisedge - Seal Grey	Timberlook - Hokitika
693	610
693	750

herbs
calendar
grater
casserole

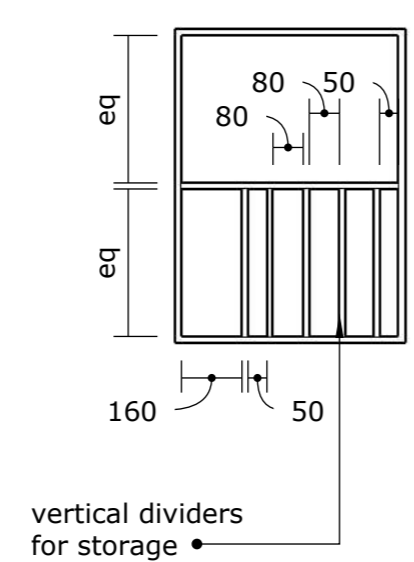
utensils
pots / lids
frypans

baking tins

pantry goods



cross section range unit



interior of cupboard above microwave for platters

PROJECT
Kitchen renovation

SCALE
1-20 @ A3

JOINER TO BUILD



Marlene Hudson Design
Rotorua

mobile 027 525 4677
marlene@marlenehudsondesign.co.nz
www.marlenehudsondesign.co.nz

All plans, drawings, specifications and content of this design are protected by copyright.

Use of plans and drawings is prohibited unless purchased and paid for in full.

When you buy plans, you are buying a license to use the plans. Copyright is not assigned to the purchaser.

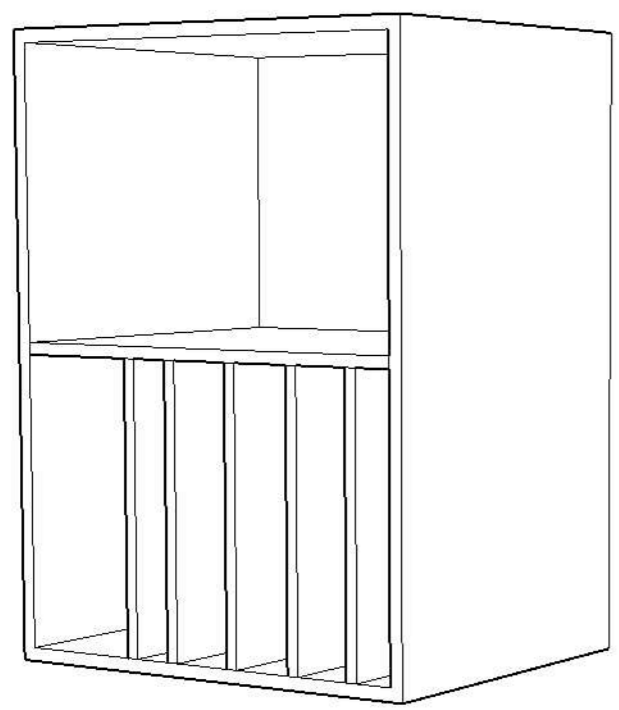
The plans may not be re-sold, given or distributed in any way without the copyright holders written permission.

Site measurements should be done before work commences to verify plan dimensions. Variations should be discussed with designer

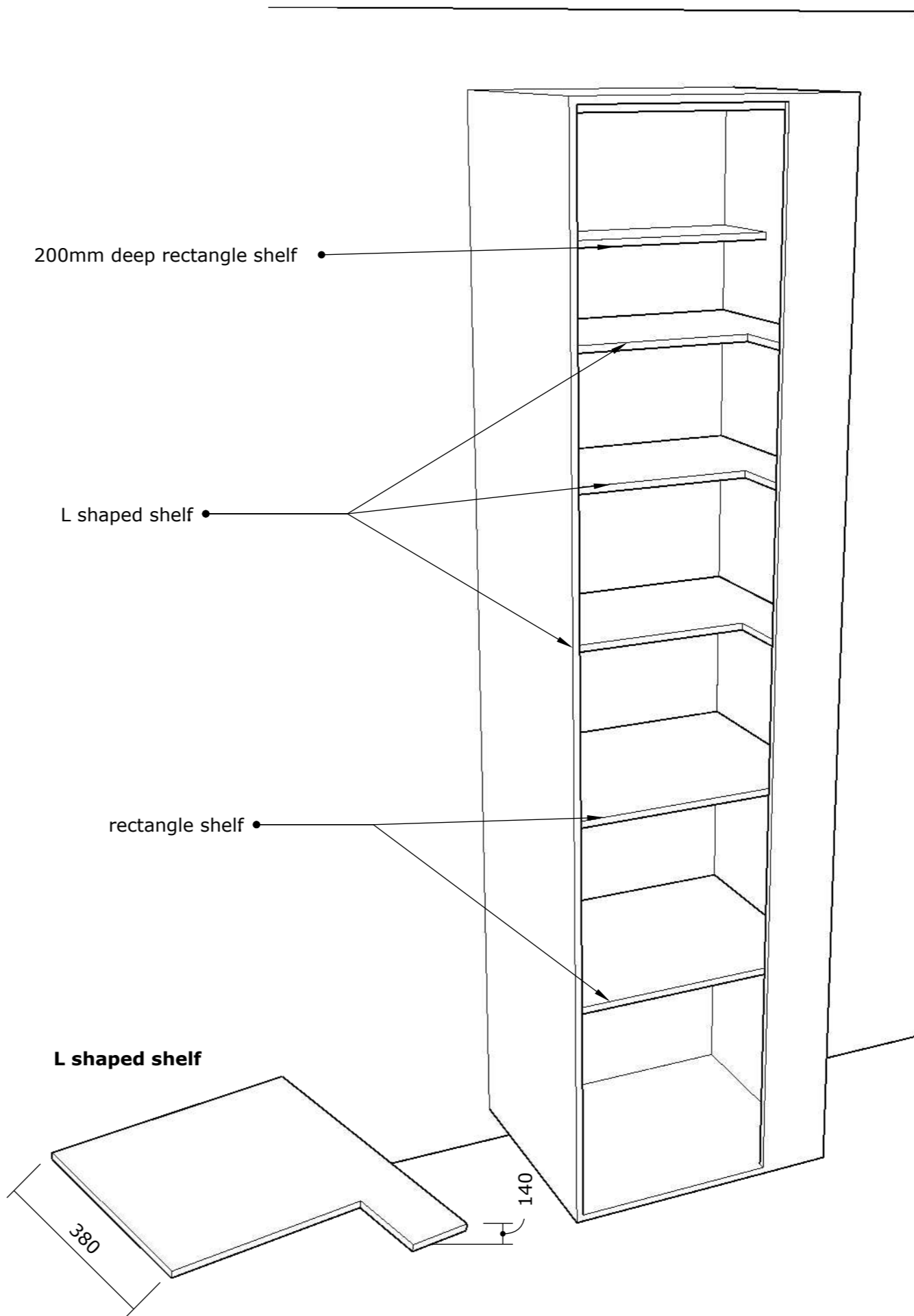
PROJECT
Kitchen renovation

SCALE
1-20 @ A3

**JOINER
TO BUILD**



3D interior of platter cupboard



200mm deep rectangle shelf

L shaped shelf

rectangle shelf

L shaped shelf

380

140

3D interior of sliding door cupboard