

CRAFTSTONE ON MASONRY BLOCK DRAWING LIST

SHEET	DESCRIPTION	ISSUED
A.	BASE DETAIL	
A1	CONCRETE BLOCK BASE - OPTION 1	13/09/19
A2	CONCRETE BLOCK BASE - OPTION 2	13/09/19
B.	JOINERY	
B1	HEAD DETAIL - OPTION 1	13/09/19
B2	HEAD DETAIL - OPTION 2	13/09/19
B3	JAMB DETAIL	13/09/19
B4	SILL DETAIL	11/02/20
B5	ALTERNATIVE HEAD DETAIL - MECHANICAL FLASHING - FLUSH MOUNT	16/09/20
B6	ALTERNATIVE JAMB DETAIL - MECHANICAL FLASHING - FLUSH MOUNT	16/09/20
B7	ALTERNATIVE SILL DETAIL - MECHANICAL FLASHING - FLUSH MOUNT	16/09/20
C.	EXTERNAL CORNERS	
C1	TYPICAL EXTERNAL CORNER	13/09/19
D.	INTERNAL CORNERS	
D1	TYPICAL INTERNAL CORNER	13/09/19
E.	ROOF DETAILS	
E1	TYPICAL ROOF ABUTMENT DETAIL - FLAT ROOF	13/09/19
E2	TYPICAL ROOF ABUTMENT DETAIL - SLOPED ROOF	13/09/19
F.	PENETRATIONS	
F1	PIPE PENETRATION	13/09/19
F2	METER BOX PENETRATION	13/09/19
G.	SOFFITS	
G1	FLAT SOFFIT DETAIL	13/09/19

CRAFTSTONE ON MASONRY BLOCK DRAWING LIST

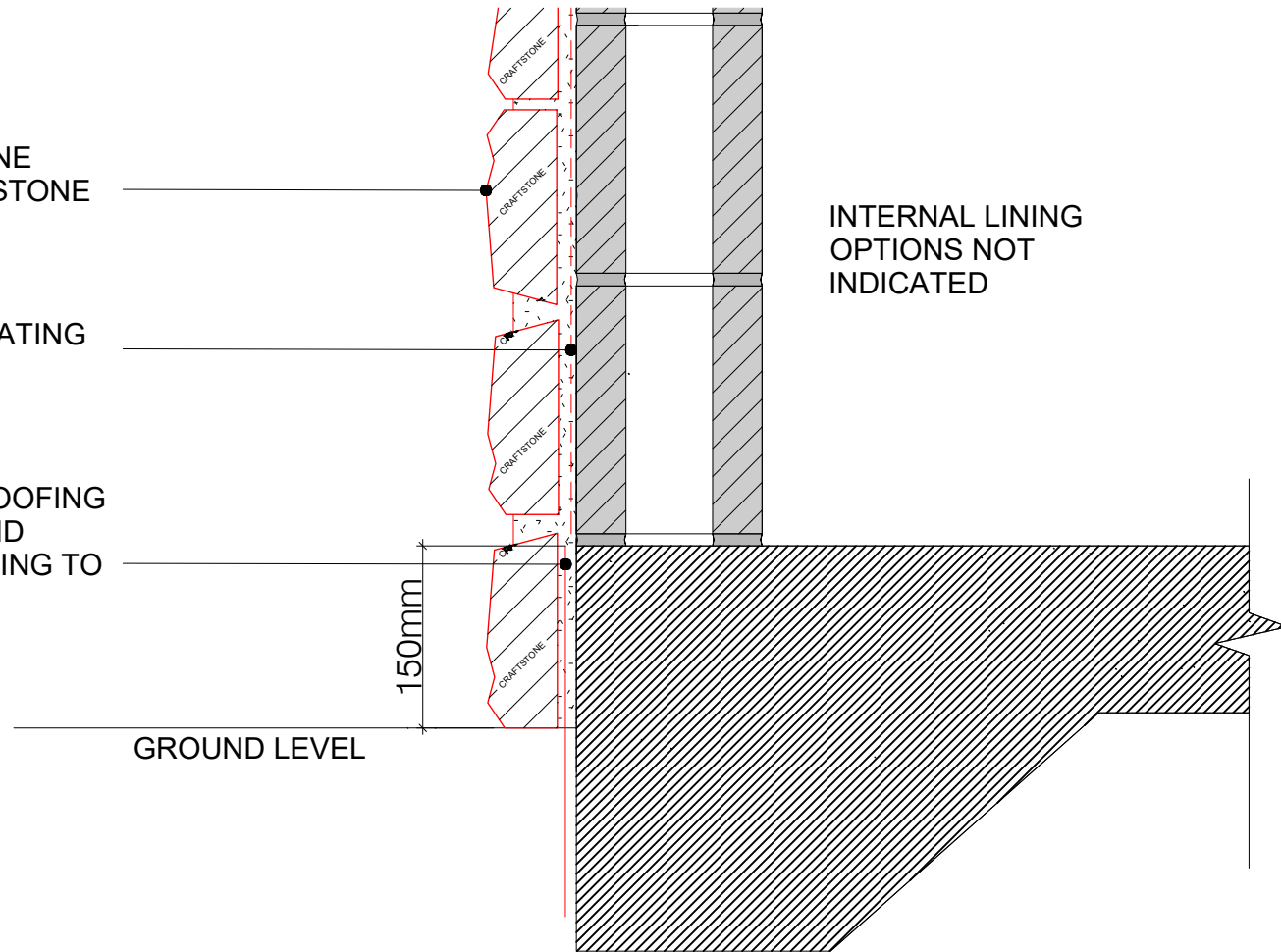
SHEET	DESCRIPTION	ISSUED
G2	REVERSE-SLOPE SOFFIT DETAIL	13/09/19
H.	PARAPET CAPS	
H1	METAL CAP FLASHING	14/01/20
H2	CONCRETE BLOCK WALL WITH CRAFTSTONE CAPSTONE	14/01/20
H3	CONCRETE BLOCK WALL WITH CRAFTSTONE CAPSTONE - OPTION 2	23/01/20
J.	HORIZONTAL JUNCTIONS	
J1	HORIZONTAL JOINT WITH WEATHERBOARD	11/02/20
J2	HORIZONTAL JOINT WITH WEATHERBOARD - OPTION 2	11/02/20
J3	HORIZONTAL JOINT WITH FLAT-BOARD CLADDING	11/02/20
J4	HORIZONTAL JOINT WITH FLAT-BOARD CLADDING - OPTION 2	11/02/20
J5	HORIZONTAL JOINT WITH EPS OR AAC PANEL SYSTEMS	11/02/20
J6	HORIZONTAL JOINT WITH EPS OR AAC PANEL SYSTEMS - OPTION 2	11/02/20



SELECTED CRAFTSTONE
VENEER OVER CRAFTSTONE
ADHESIVE MORTAR

CRAFTSTONE PENETRATING
SEALER

APPROVED WATERPROOFING
MEMBRANE. IN-GROUND
APPLICATION ACCORDING TO
MANUFACTURER'S
INSTRUCTIONS



**CRAFT
STONE**

1 : 4 @ A4
SCALE

13/09/19
ISSUED

CONCRETE BLOCK BASE - OPTION 1

COPYRIGHT PETROS HOLDINGS LIMITED (T/A CRAFTSTONE NEW ZEALAND)
PETROS HOLDINGS LTD ACCEPTS NO LIABILITY FOR DRAWINGS SUBMITTED TO COUNCIL

61 HILLSIDE RD, GLENFIELD, AUCKLAND, NEW ZEALAND - P: 09 477 3918

A1
SHEET

WWW.CRAFTSTONE.CO.NZ

Real Stone Made Easy

SELECTED CRAFTSTONE
VENEER OVER CRAFTSTONE
ADHESIVE MORTAR

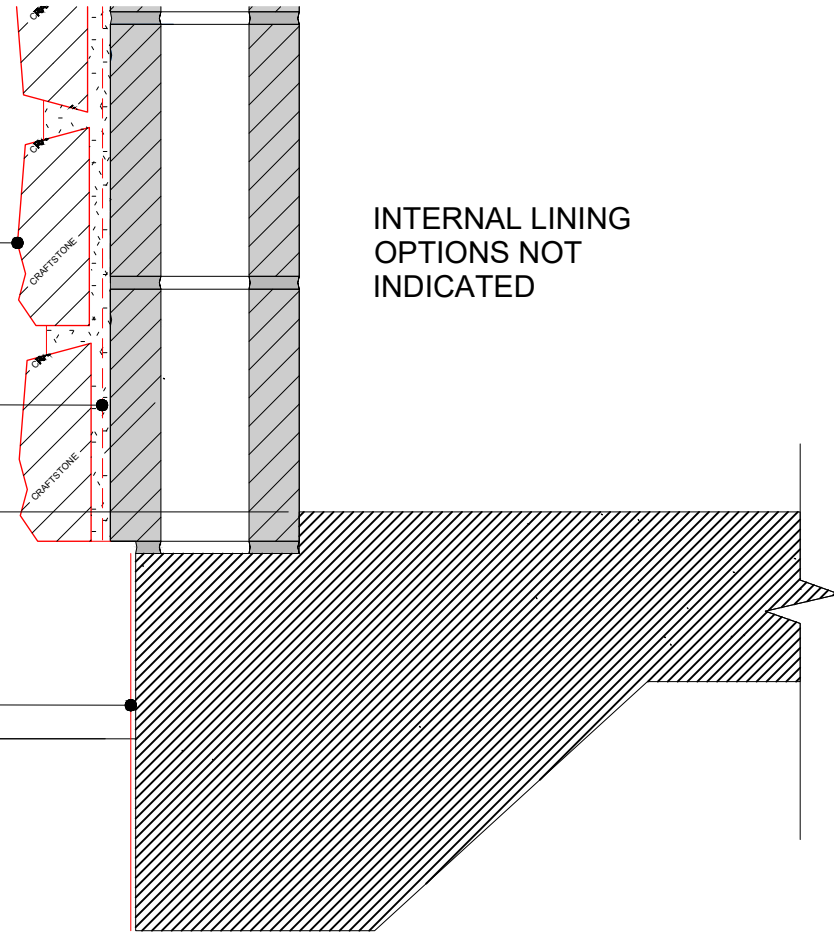
CRAFTSTONE PENETRATING
SEALER

APPROVED WATERPROOFING
MEMBRANE. IN-GROUND
APPLICATION ACCORDING TO
MANUFACTURER'S
INSTRUCTIONS

GROUND LEVEL

150mm

INTERNAL LINING
OPTIONS NOT
INDICATED



**CRAFT
STONE**

Real Stone Made Easy

CONCRETE BLOCK BASE - OPTION 2

1 : 4 @ A4
SCALE

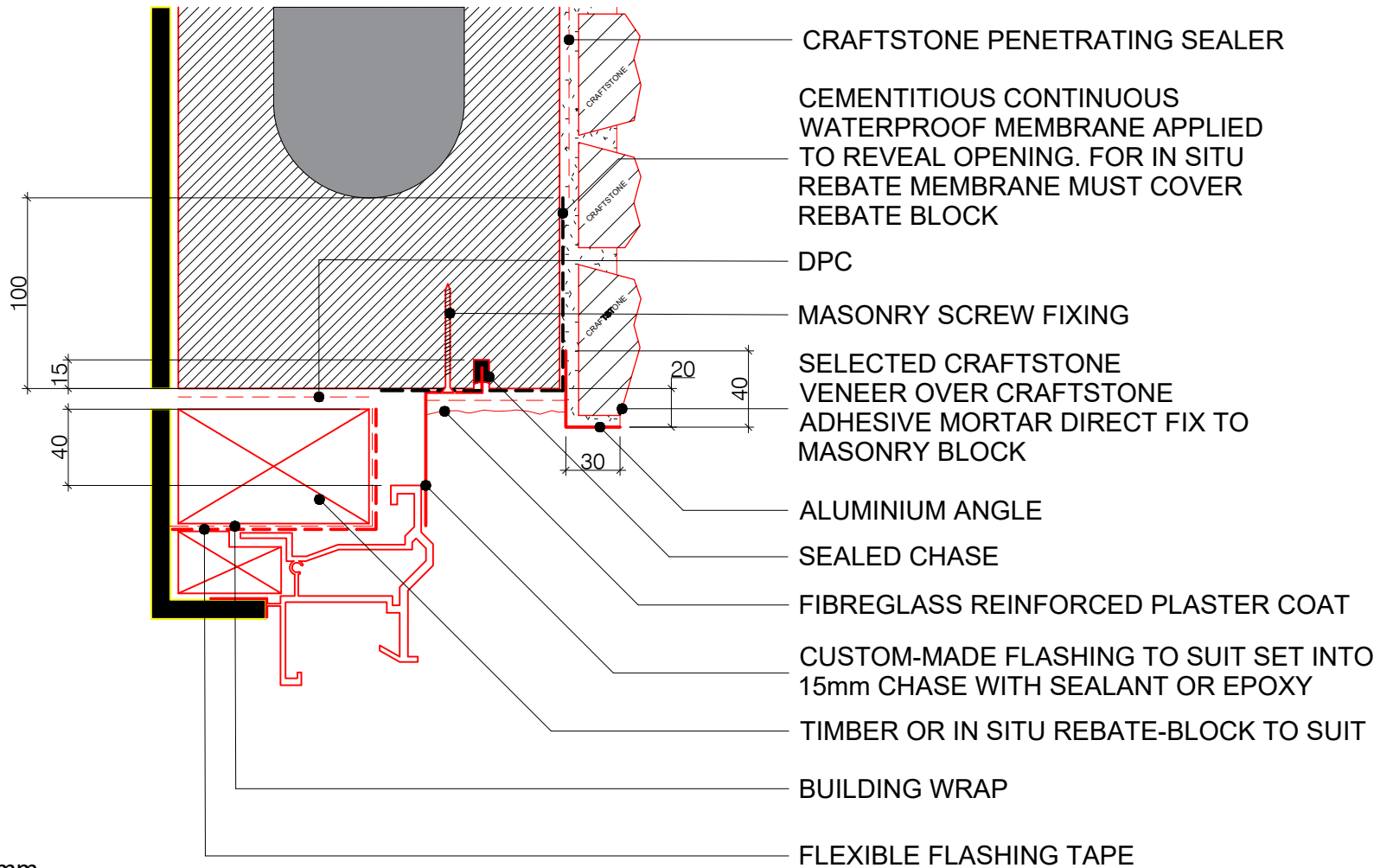
13/09/19
ISSUED

COPYRIGHT PETROS HOLDINGS LIMITED (T/A CRAFTSTONE NEW ZEALAND)
PETROS HOLDINGS LTD ACCEPTS NO LIABILITY FOR DRAWINGS SUBMITTED TO COUNCIL

61 HILLSIDE RD, GLENFIELD, AUCKLAND, NEW ZEALAND - P: 09 477 3918

A2
SHEET

WWW.CRAFTSTONE.CO.NZ



ALL UNITS IN mm



**CRAFT
STONE**

Real Stone Made Easy

CRAFTSTONE ON MASONRY - HEAD DETAIL - OPTION 1

1 : 4 @ A4
SCALE

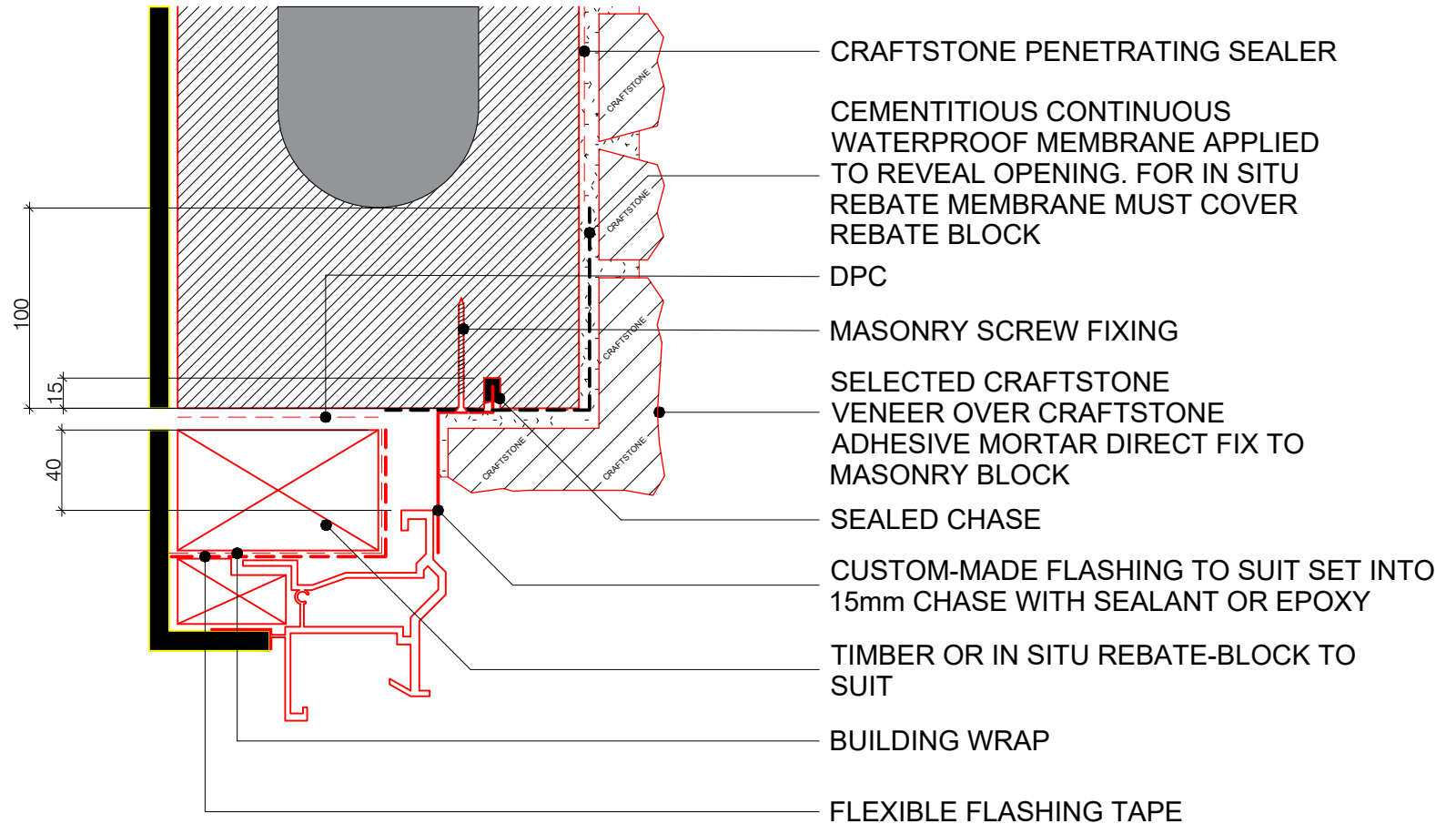
13/09/19
ISSUED

COPYRIGHT PETROS HOLDINGS LIMITED (T/A CRAFTSTONE NEW ZEALAND)
PETROS HOLDINGS LTD ACCEPTS NO LIABILITY FOR DRAWINGS SUBMITTED TO COUNCIL

61 HILLSIDE RD, GLENFIELD, AUCKLAND, NEW ZEALAND - P: 09 477 3918

B1
SHEET

WWW.CRAFTSTONE.CO.NZ



ALL UNITS IN mm



**CRAFT
STONE**

Real Stone Made Easy

CRAFTSTONE ON MASONRY - HEAD DETAIL - OPTION 2

1 : 4 @ A4
SCALE

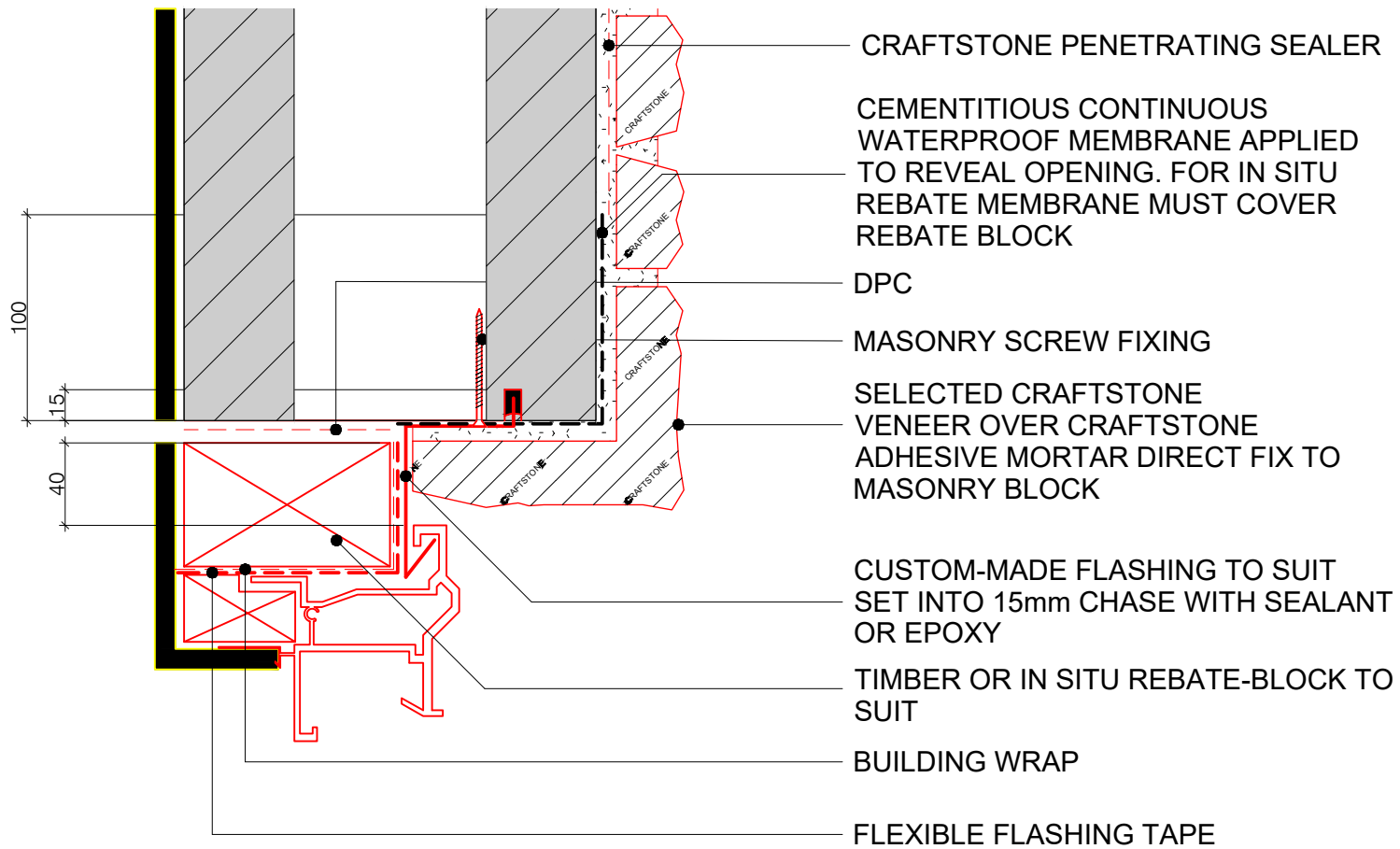
13/09/19
ISSUED

COPYRIGHT PETROS HOLDINGS LIMITED (T/A CRAFTSTONE NEW ZEALAND)
PETROS HOLDINGS LTD ACCEPTS NO LIABILITY FOR DRAWINGS SUBMITTED TO COUNCIL

61 HILLSIDE RD, GLENFIELD, AUCKLAND, NEW ZEALAND - P: 09 477 3918

WWW.CRAFTSTONE.CO.NZ

B2
SHEET



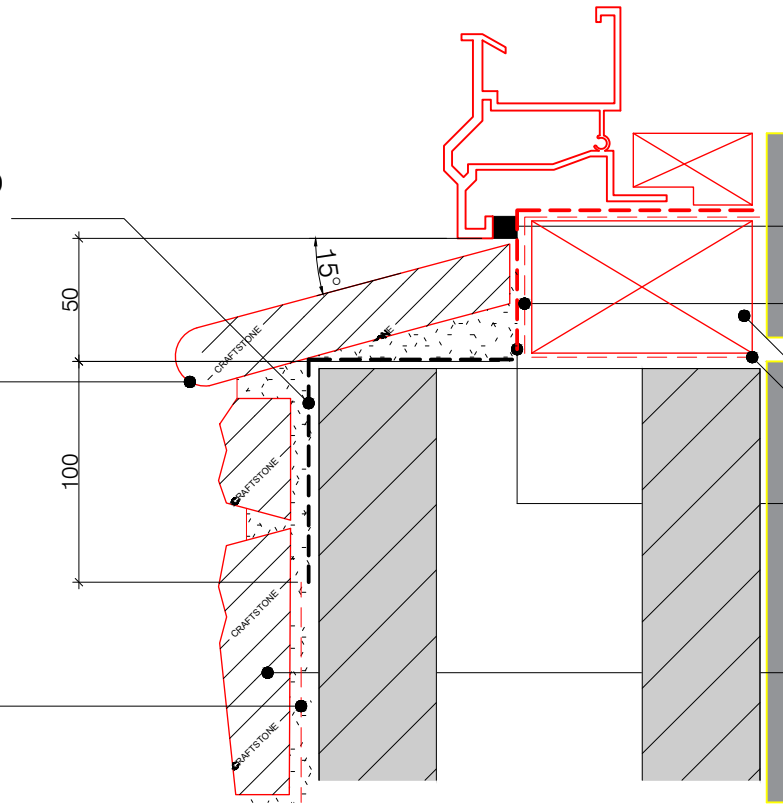
ALL UNITS IN mm



CEMENTITIOUS CONTINUOUS
WATERPROOF MEMBRANE APPLIED
TO REVEAL OPENING. FOR IN SITU
REBATE MEMBRANE MUST COVER
REBATE BLOCK

CRAFTSTONE SILL CAP
TO SUIT

CRAFTSTONE PENETRATING
SEALER



FOAM TAPE BY OTHERS

BUILDING WRAP

TIMBER OR IN SITU
REBATE-BLOCK TO SUIT

DPC

FLEXIBLE FLASHING TAPE

SELECTED CRAFTSTONE
VENEER OVER CRAFTSTONE
ADHESIVE MORTAR DIRECT FIX
TO MASONRY BLOCK

ALL UNITS IN mm



**CRAFT
STONE**

CRAFTSTONE ON MASONRY - SILL DETAIL

1 : 4 @ A4
SCALE

11/02/20
ISSUED

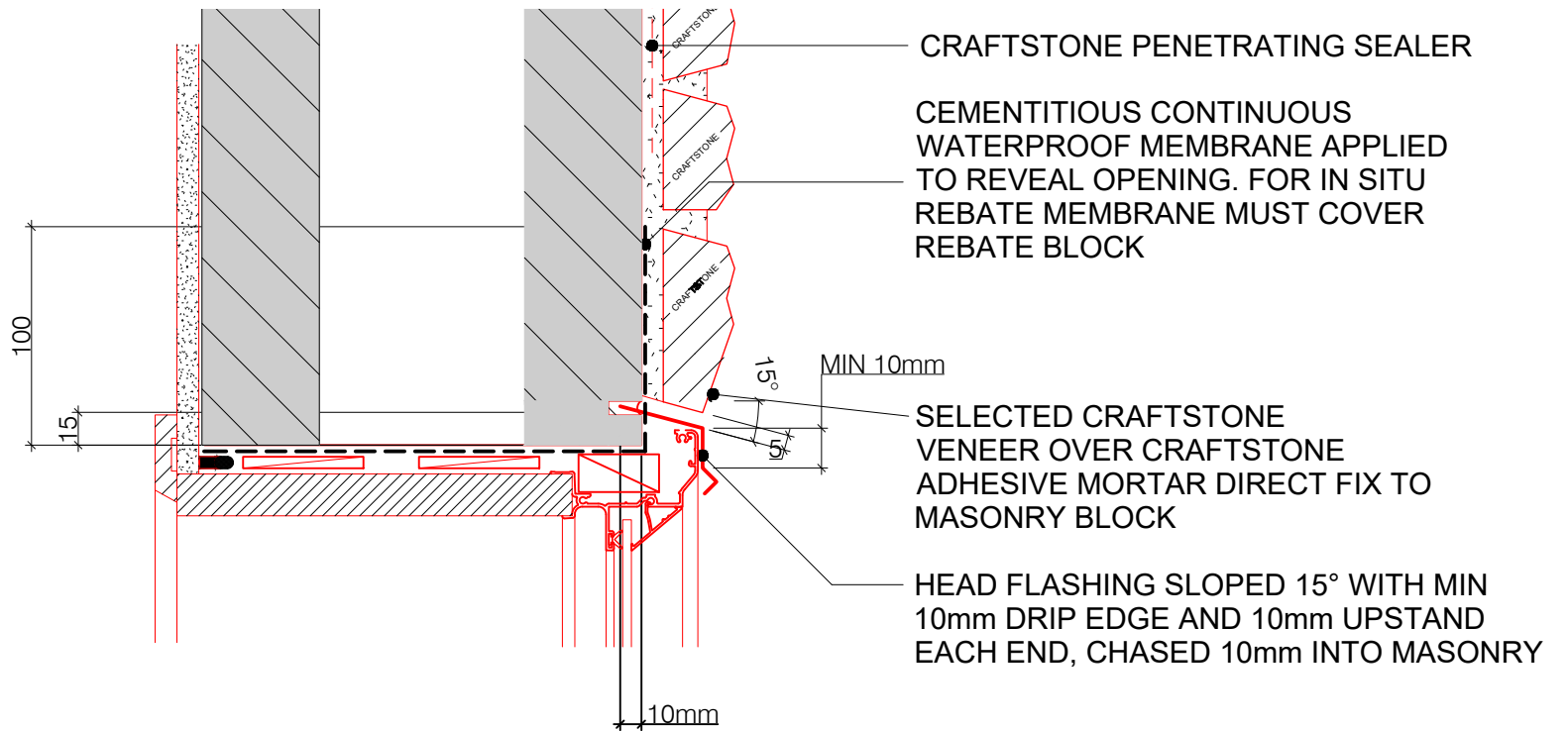
COPYRIGHT PETROS HOLDINGS LIMITED (T/A CRAFTSTONE NEW ZEALAND)
PETROS HOLDINGS LTD ACCEPTS NO LIABILITY FOR DRAWINGS SUBMITTED TO COUNCIL

61 HILLSIDE RD, GLENFIELD, AUCKLAND, NEW ZEALAND - P: 09 477 3918

B4
SHEET

WWW.CRAFTSTONE.CO.NZ

Real Stone Made Easy



ALL UNITS IN mm



**CRAFT
STONE**

Real Stone Made Easy

ALTERNATIVE HEAD DETAIL - MECHANICAL FLASHING - FLUSH MOUNT

1 : 4 @ A4
SCALE

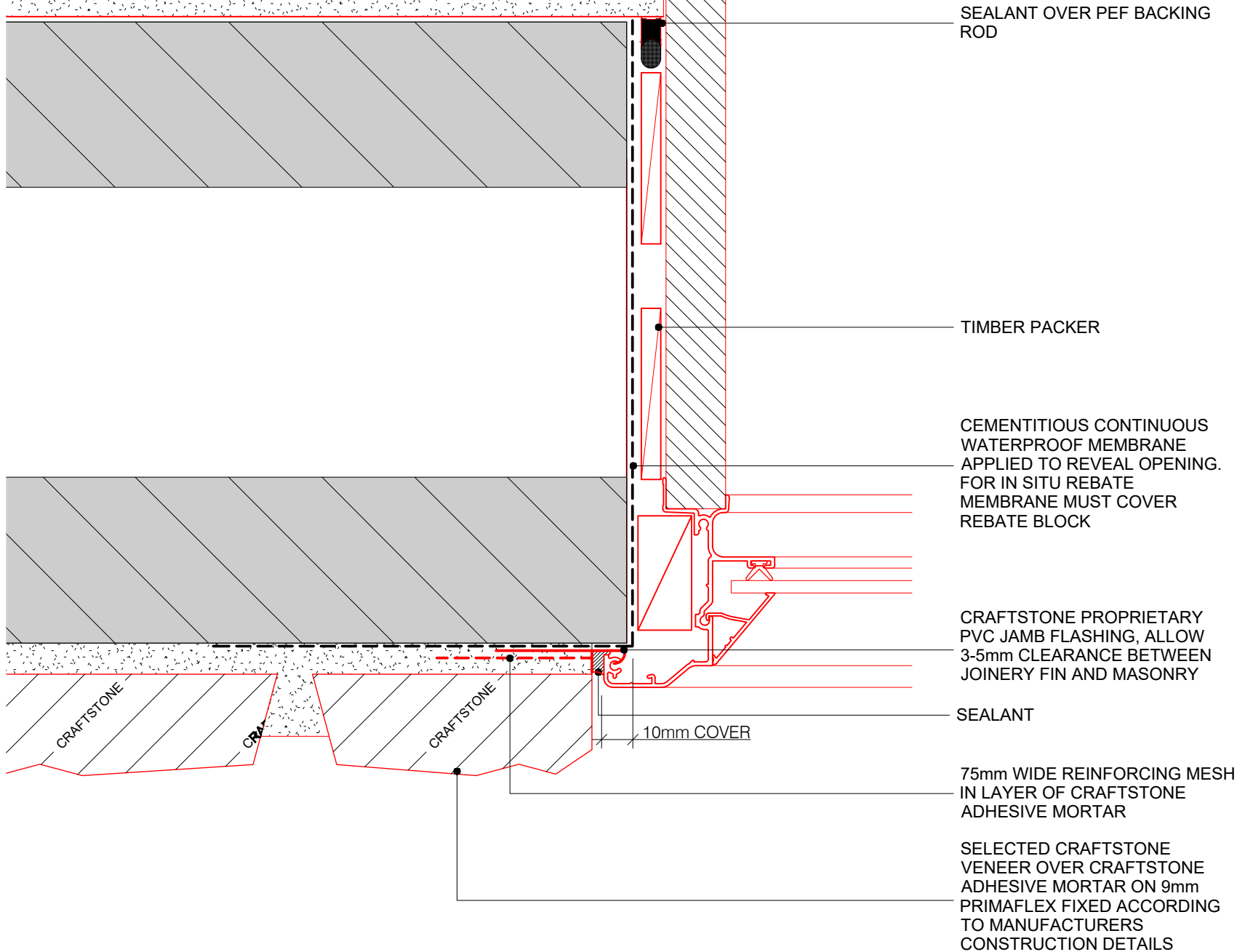
13/09/19
ISSUED

COPYRIGHT PETROS HOLDINGS LIMITED (T/A CRAFTSTONE NEW ZEALAND)
PETROS HOLDINGS LTD ACCEPTS NO LIABILITY FOR DRAWINGS SUBMITTED TO COUNCIL

61 HILLSIDE RD, GLENFIELD, AUCKLAND, NEW ZEALAND - P: 09 477 3918

B5
SHEET

WWW.CRAFTSTONE.CO.NZ



SEALANT OVER PEF BACKING ROD

TIMBER PACKER

CEMENTITIOUS CONTINUOUS WATERPROOF MEMBRANE APPLIED TO REVEAL OPENING. FOR IN SITU REBATE MEMBRANE MUST COVER REBATE BLOCK

CRAFTSTONE PROPRIETARY PVC JAMB FLASHING, ALLOW 3-5mm CLEARANCE BETWEEN JOINERY FIN AND MASONRY

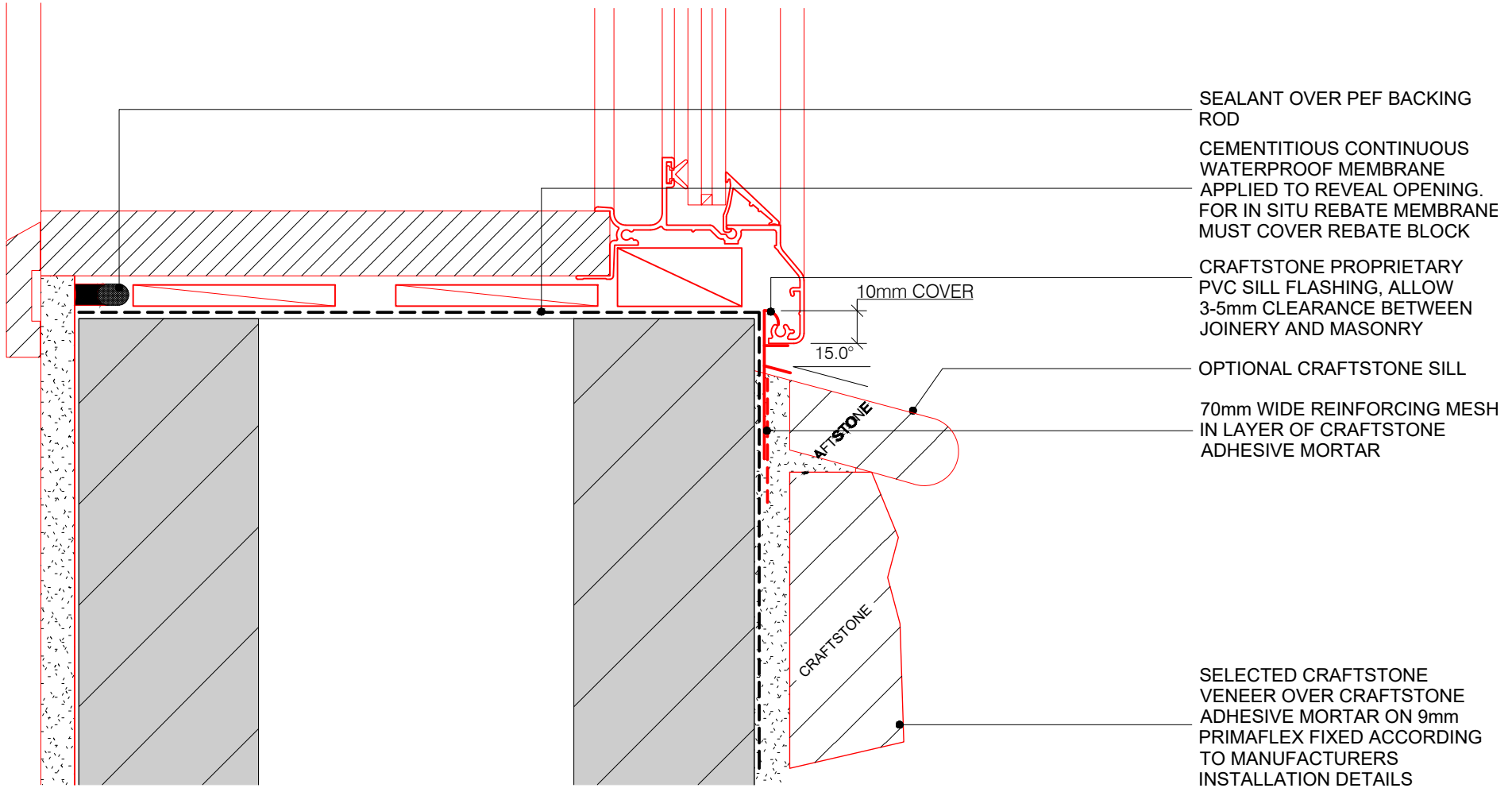
SEALANT

10mm COVER

75mm WIDE REINFORCING MESH IN LAYER OF CRAFTSTONE ADHESIVE MORTAR

SELECTED CRAFTSTONE VENEER OVER CRAFTSTONE ADHESIVE MORTAR ON 9mm PRIMAFLEX FIXED ACCORDING TO MANUFACTURERS CONSTRUCTION DETAILS

ALTERNATIVE JAMB DETAIL - MECHANICAL FLASHING - FLUSH MOUNT



SEALANT OVER PEF BACKING ROD

CEMENTITIOUS CONTINUOUS WATERPROOF MEMBRANE APPLIED TO REVEAL OPENING. FOR IN SITU REBATE MEMBRANE MUST COVER REBATE BLOCK

CRAFTSTONE PROPRIETARY PVC SILL FLASHING, ALLOW 3-5mm CLEARANCE BETWEEN JOINERY AND MASONRY

OPTIONAL CRAFTSTONE SILL

70mm WIDE REINFORCING MESH IN LAYER OF CRAFTSTONE ADHESIVE MORTAR

SELECTED CRAFTSTONE VENEER OVER CRAFTSTONE ADHESIVE MORTAR ON 9mm PRIMAFLEX FIXED ACCORDING TO MANUFACTURERS INSTALLATION DETAILS

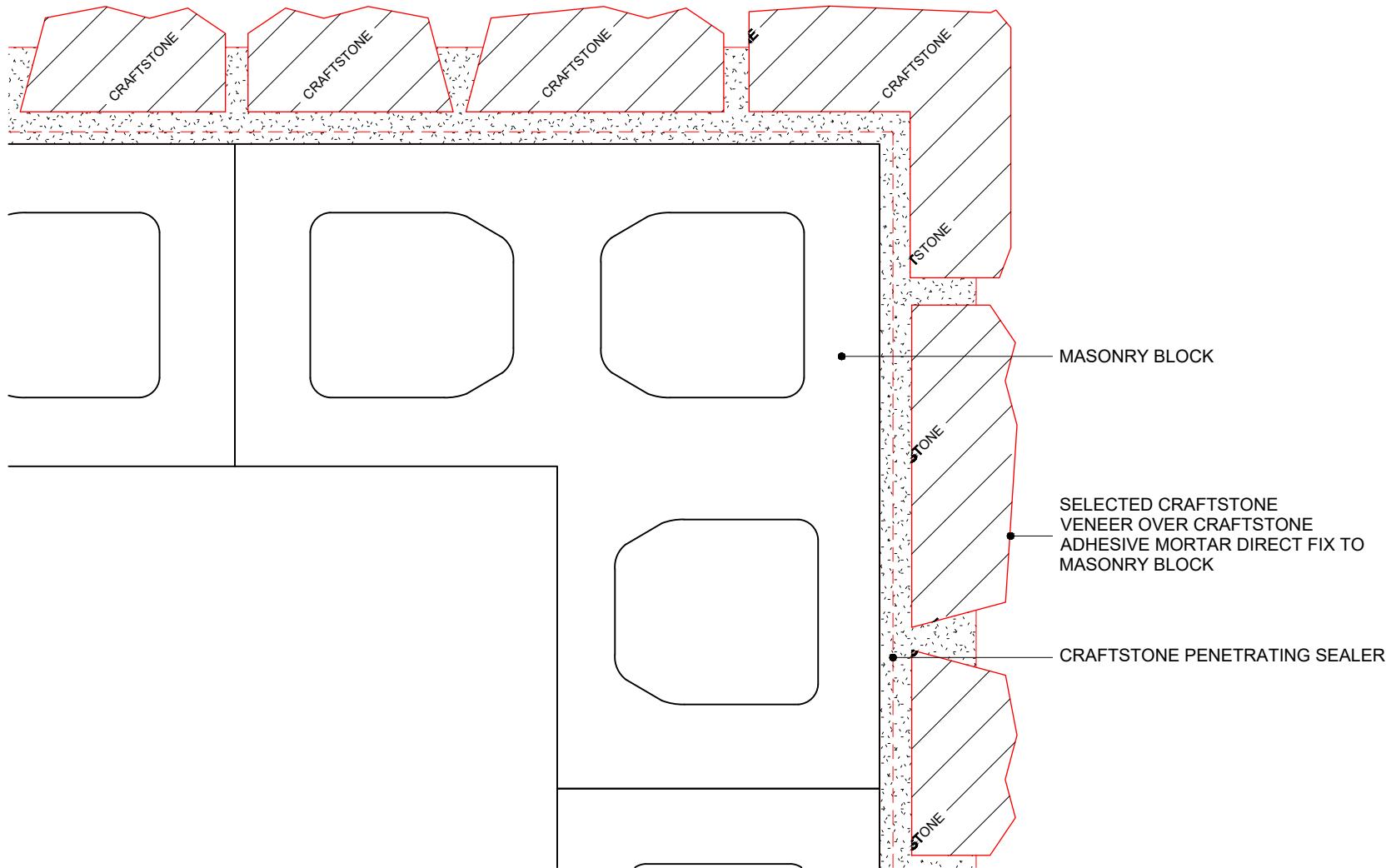
10mm COVER

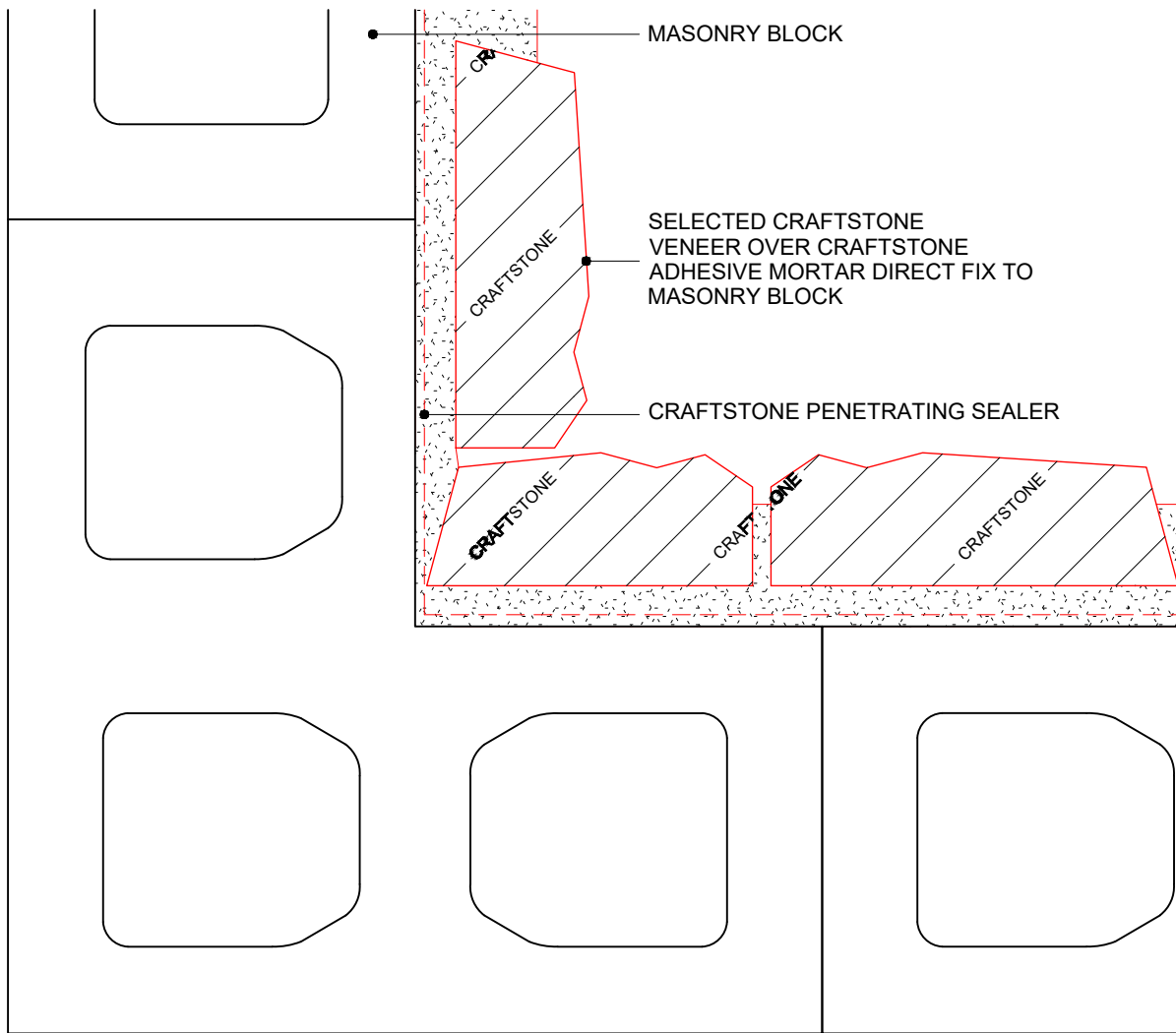
15.0°

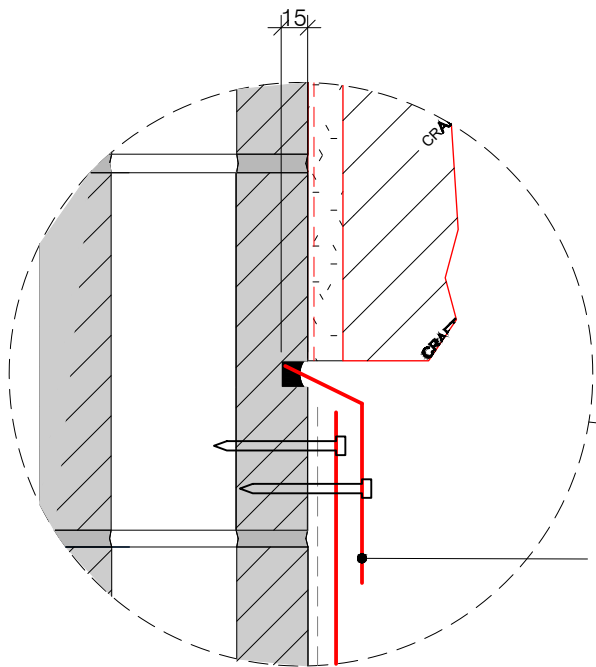
CRAFTSTONE

CRAFTSTONE



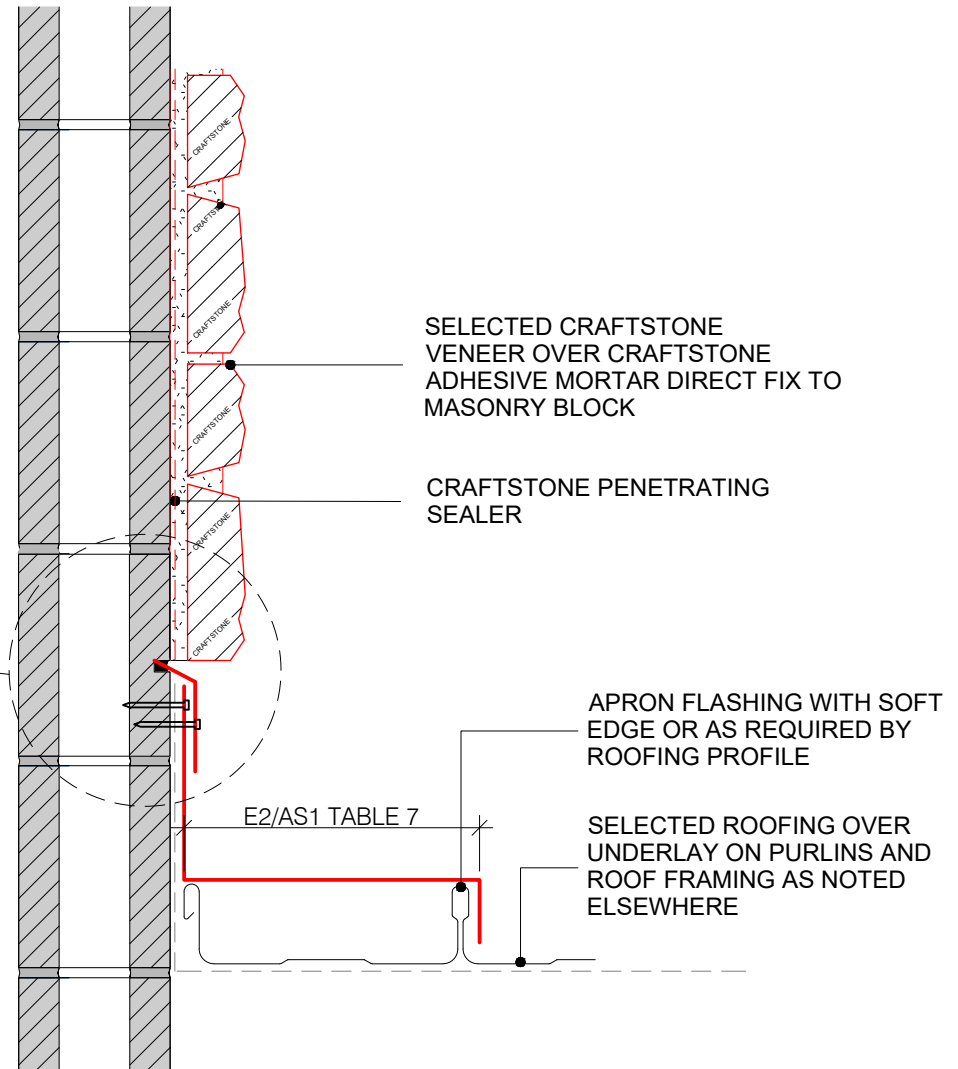






CUSTOM-MADE FLASHING TO SUIT SET INTO 15mm CHASE WITH SEALANT OR EPOXY

ALL UNITS IN mm



SELECTED CRAFTSTONE VENEER OVER CRAFTSTONE ADHESIVE MORTAR DIRECT FIX TO MASONRY BLOCK

CRAFTSTONE PENETRATING SEALER

APRON FLASHING WITH SOFT EDGE OR AS REQUIRED BY ROOFING PROFILE

SELECTED ROOFING OVER UNDERLAY ON PURLINS AND ROOF FRAMING AS NOTED ELSEWHERE

E2/AS1 TABLE 7



**CRAFT
STONE**

Real Stone Made Easy

TYPICAL ROOF ABUTMENT DETAIL - FLAT ROOF

1 : 5 @ A4
SCALE

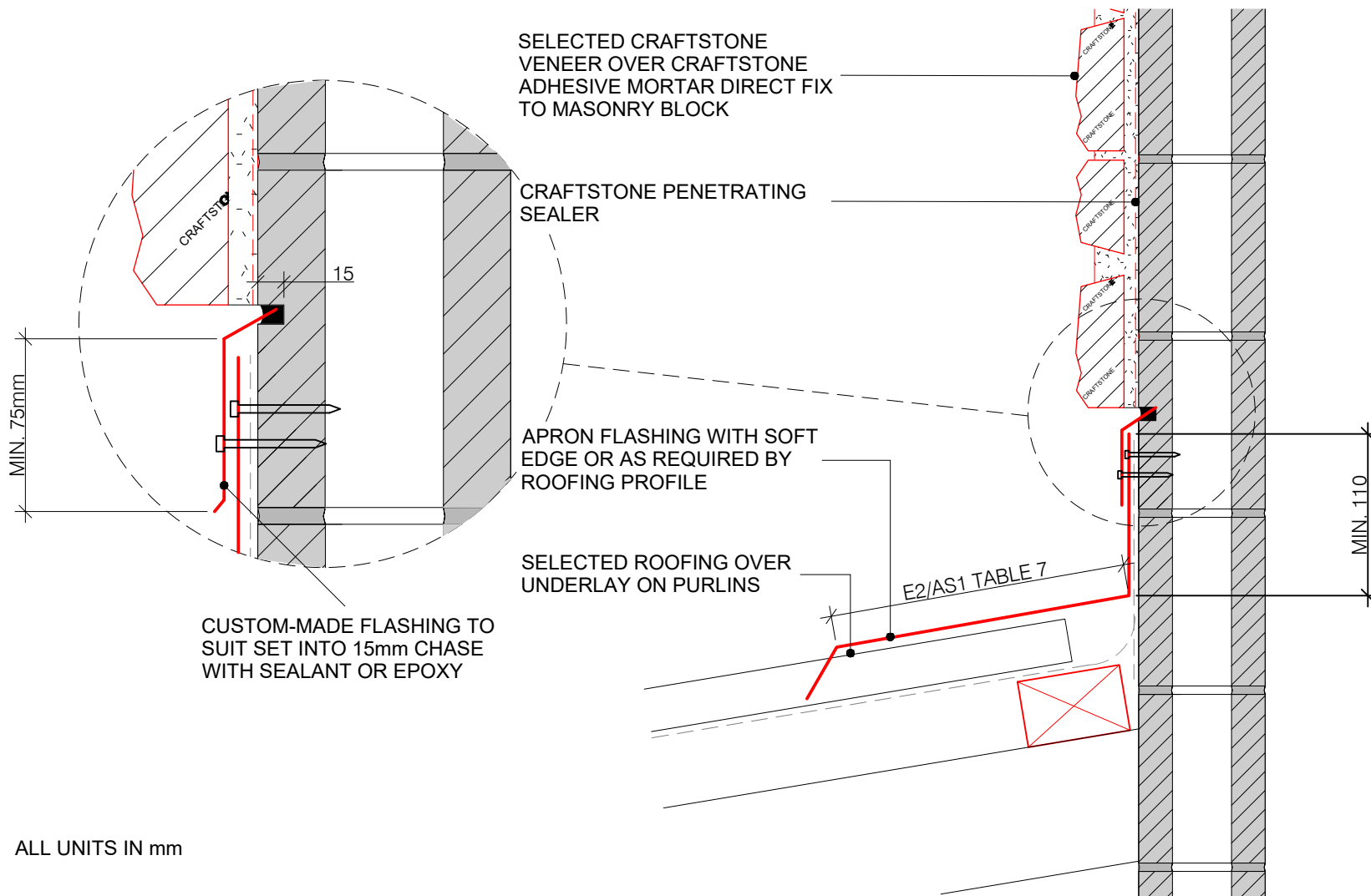
13/09/19
ISSUED

COPYRIGHT PETROS HOLDINGS LIMITED (T/A CRAFTSTONE NEW ZEALAND)
PETROS HOLDINGS LTD ACCEPTS NO LIABILITY FOR DRAWINGS SUBMITTED TO COUNCIL

61 HILLSIDE RD, GLENFIELD, AUCKLAND, NEW ZEALAND - P: 09 477 3918

E1
SHEET

WWW.CRAFTSTONE.CO.NZ



ALL UNITS IN mm



**CRAFT
STONE**

Real Stone Made Easy

TYPICAL ROOF ABUTMENT DETAIL - SLOPED ROOF

1 : 5 @ A4
SCALE

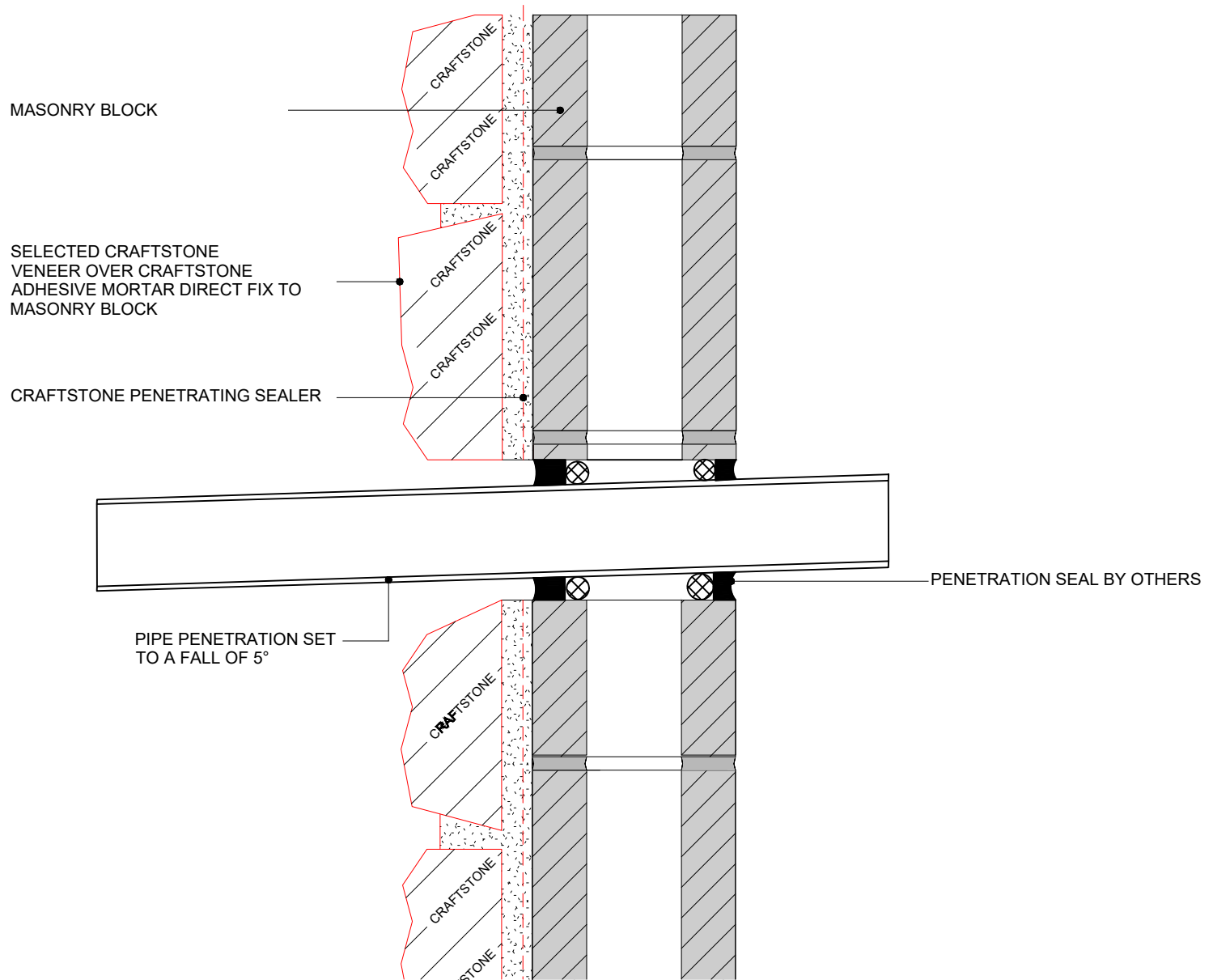
13/09/19
ISSUED

COPYRIGHT PETROS HOLDINGS LIMITED (T/A CRAFTSTONE NEW ZEALAND)
PETROS HOLDINGS LTD ACCEPTS NO LIABILITY FOR DRAWINGS SUBMITTED TO COUNCIL

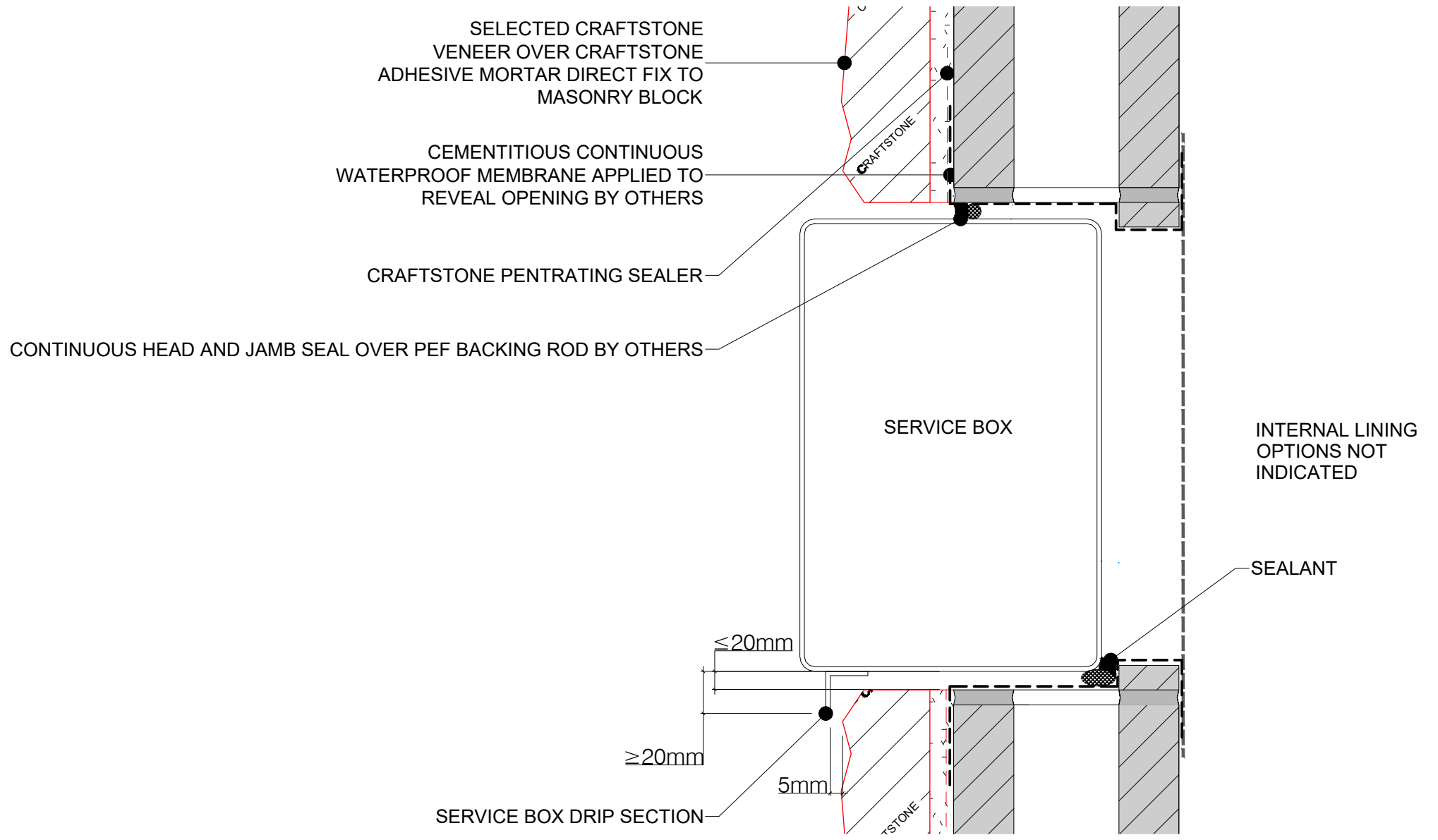
61 HILLSIDE RD, GLENFIELD, AUCKLAND, NEW ZEALAND - P: 09 477 3918

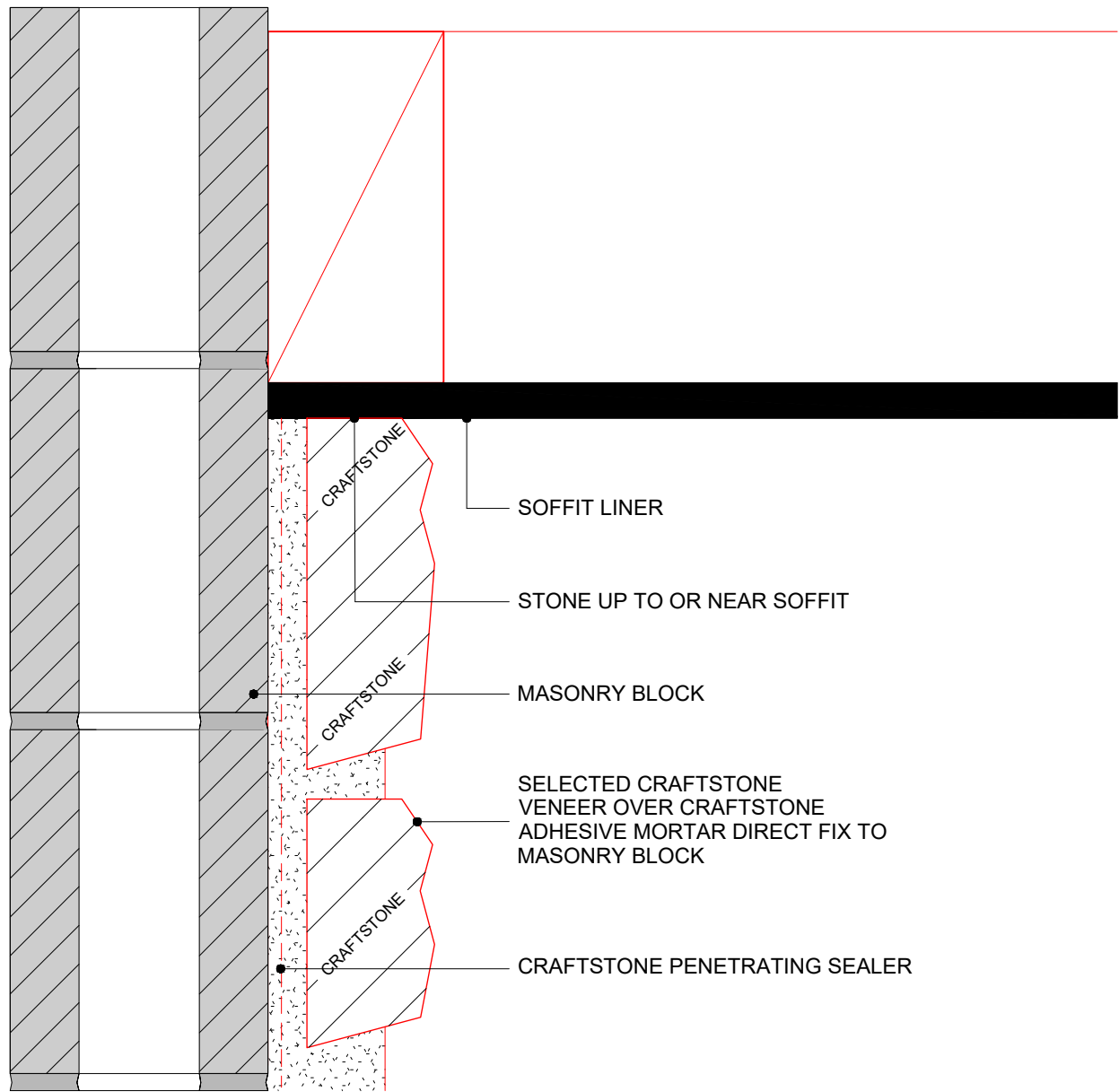
E2
SHEET

WWW.CRAFTSTONE.CO.NZ



PIPE PENETRATION





SOFFIT LINER

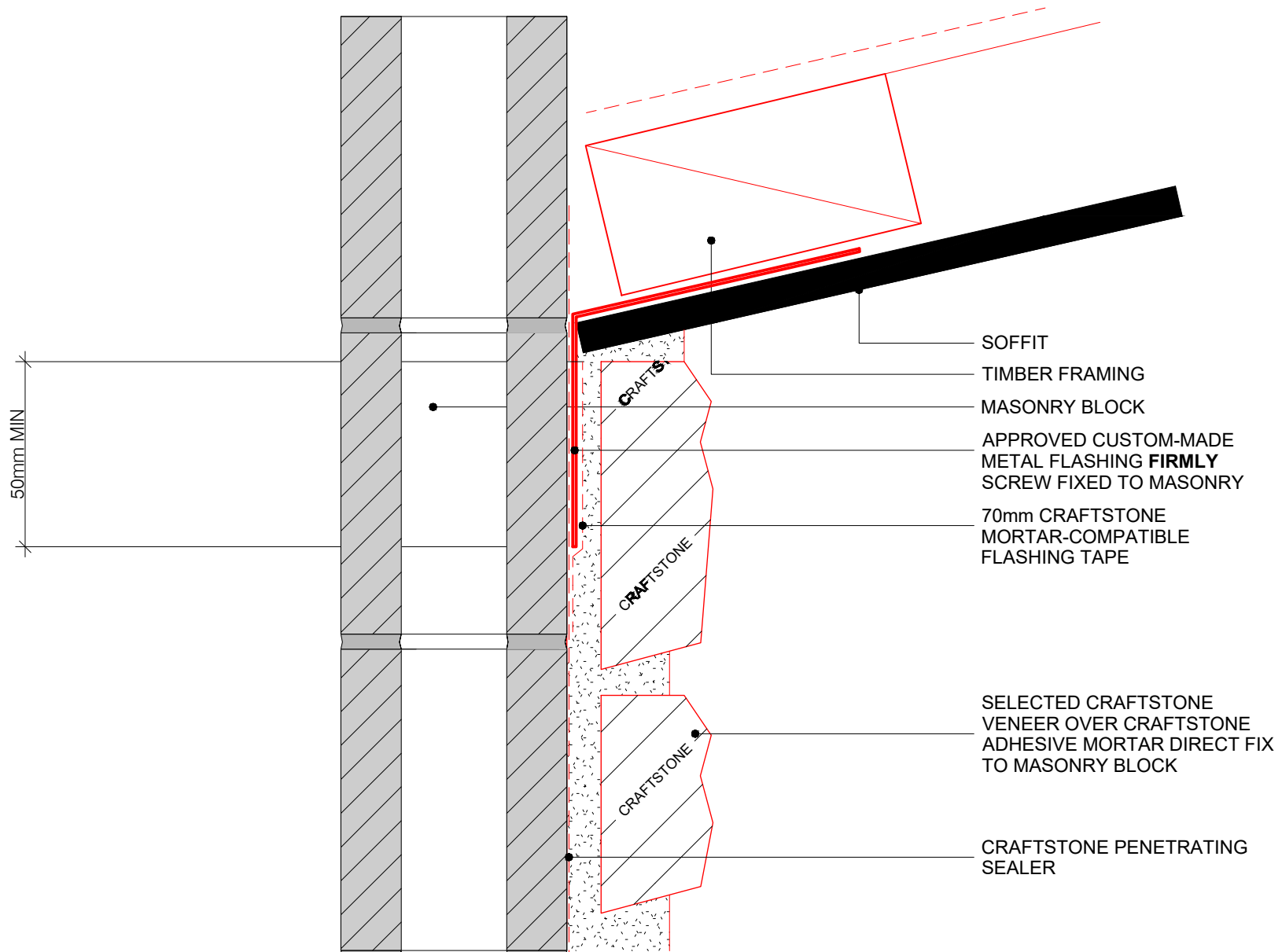
STONE UP TO OR NEAR SOFFIT

MASONRY BLOCK

SELECTED CRAFTSTONE VENEER OVER CRAFTSTONE ADHESIVE MORTAR DIRECT FIX TO MASONRY BLOCK

CRAFTSTONE PENETRATING SEALER





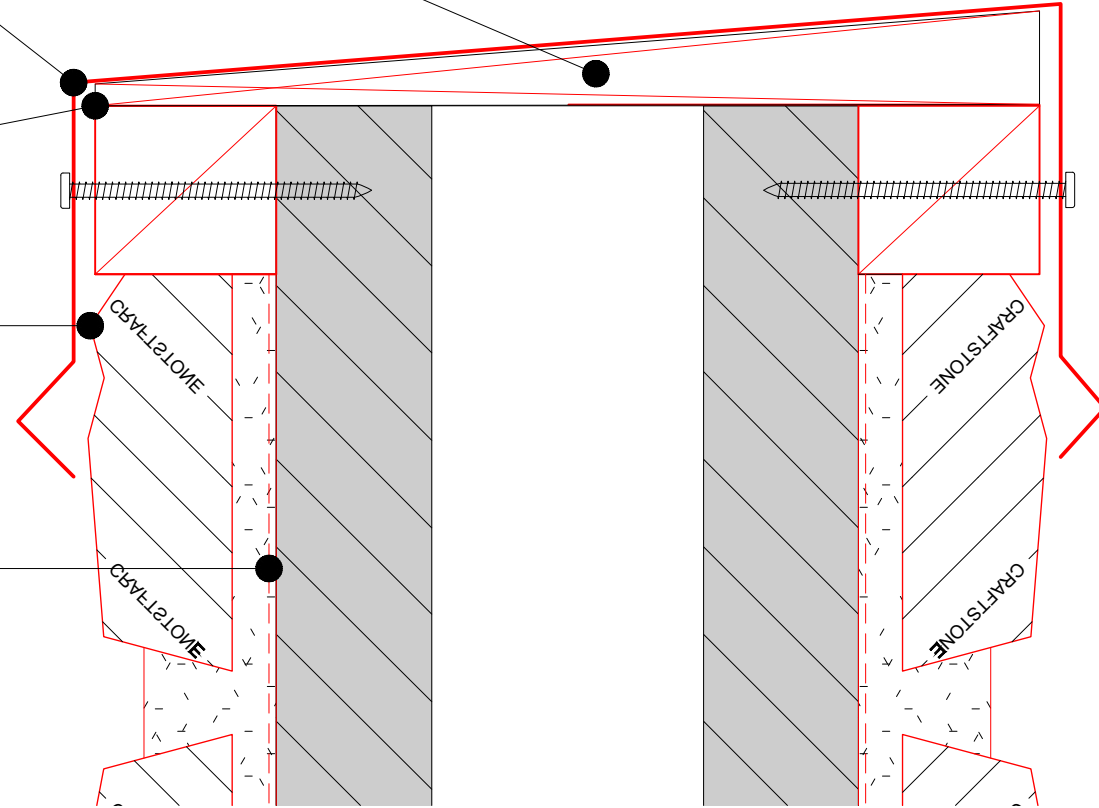
SLOPED TIMBER PACKER TO SUIT

METAL CAPPING TO BE SIDE
FIXED ONLY WITH 10° SLOPE

CONTINUOUS H3.1 TANALISED TIMBER PACKER

SELECTED CRAFTSTONE
VENEER OVER CRAFTSTONE
ADHESIVE MORTAR DIRECT FIX TO MASONRY
BLOCK

CRAFTSTONE PENETRATING SEALER



**CRAFT
STONE**

Real Stone Made Easy

METAL CAP FLASHING

1 : 5 @ A4
SCALE

14/01/20
ISSUED

COPYRIGHT PETROS HOLDINGS LIMITED (T/A CRAFTSTONE NEW ZEALAND)

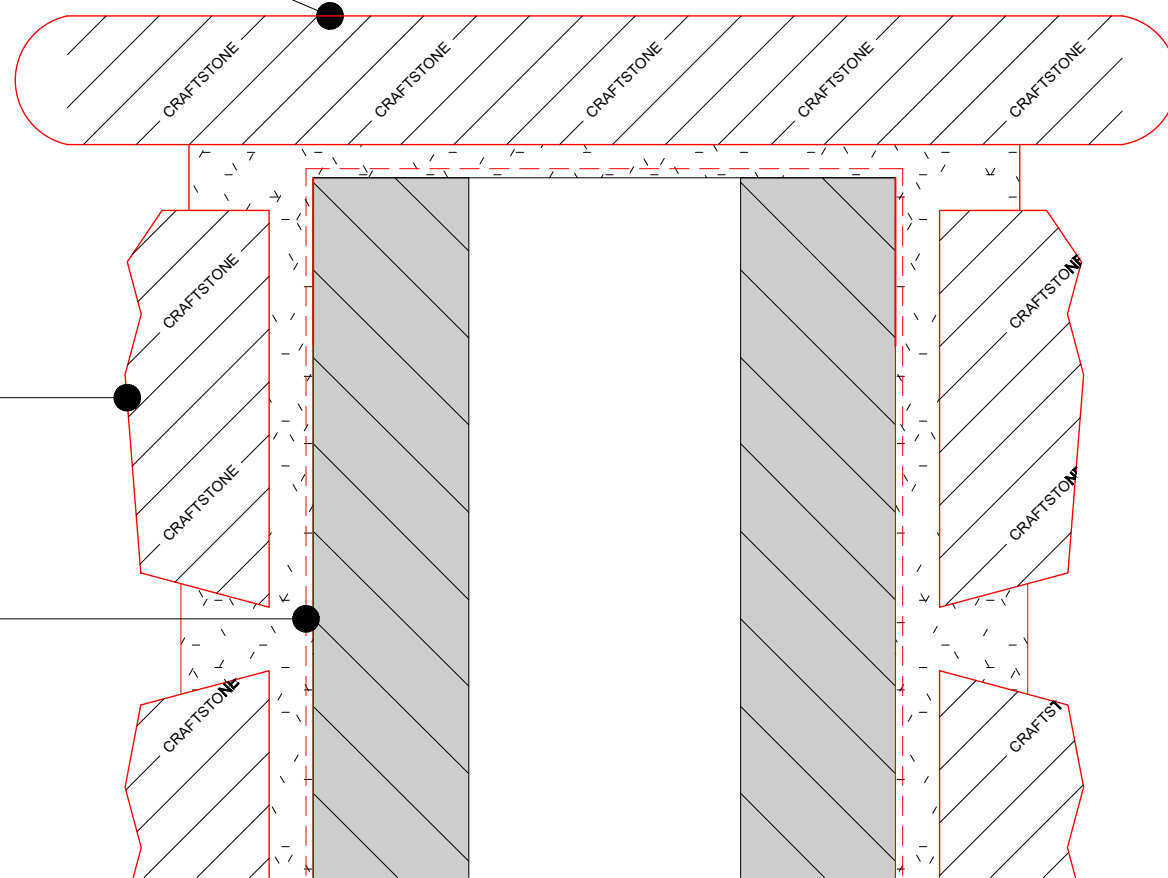
CRAFTSTONE NEW ZEALAND ACCEPTS NO LIABILITY FOR DRAWINGS SUBMITTED TO COUNCIL

61 HILLSIDE RD, GLENFIELD, AUCKLAND, NEW ZEALAND - P: 09 477 3918

WWW.CRAFTSTONE.CO.NZ

H1
SHEET

CRAFTSTONE CAPSTONE



SELECTED CRAFTSTONE
VENEER OVER CRAFTSTONE
ADHESIVE MORTAR DIRECT FIX TO MASONRY
BLOCK

CRAFTSTONE PENETRATING SEALER



**CRAFT
STONE**

Real Stone Made Easy

1 : 5 @ A4
SCALE

14/01/20
ISSUED

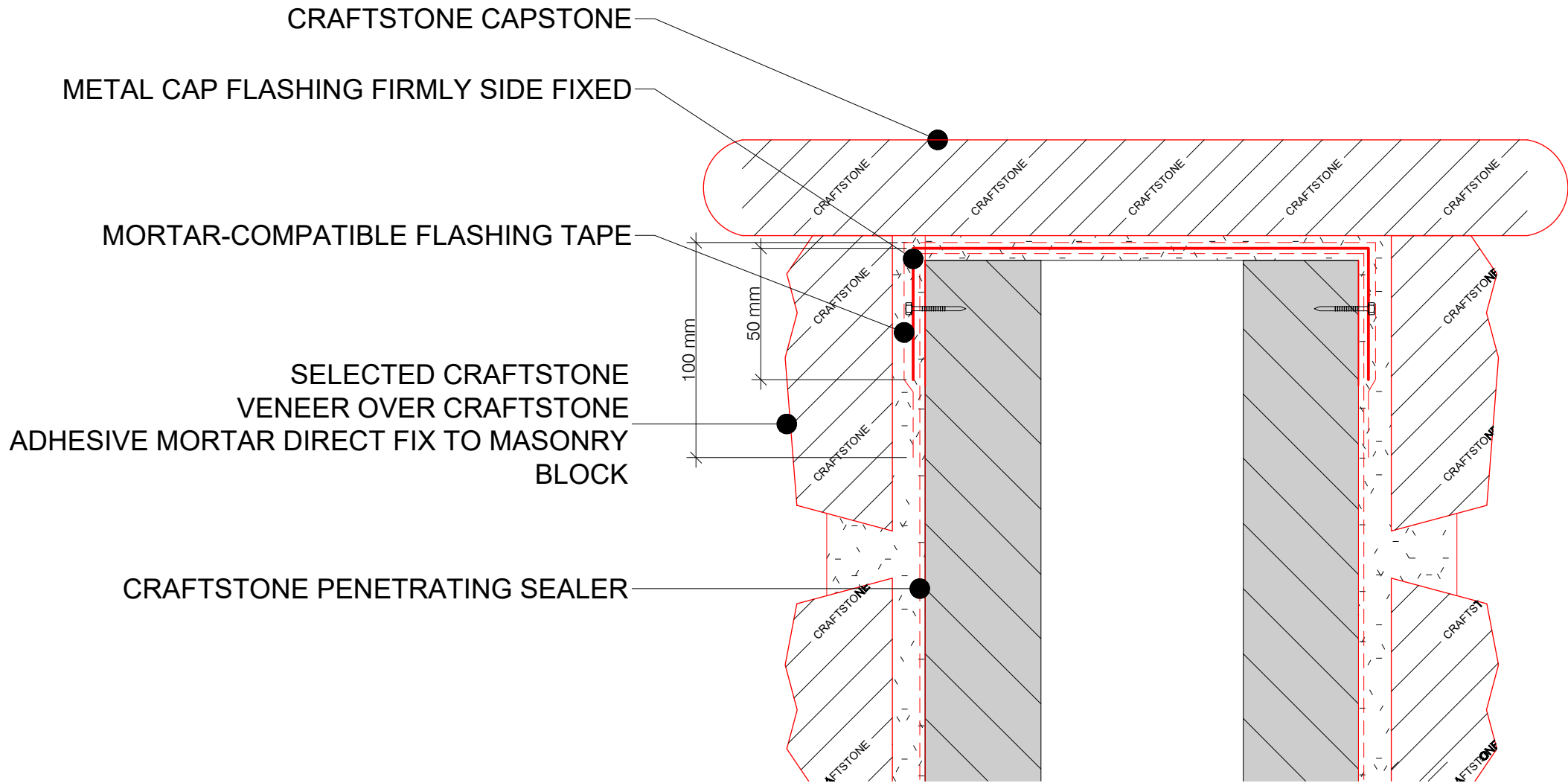
COPYRIGHT PETROS HOLDINGS LIMITED (T/A CRAFTSTONE NEW ZEALAND)

CRAFTSTONE NEW ZEALAND ACCEPTS NO LIABILITY FOR DRAWINGS SUBMITTED TO COUNCIL

61 HILLSIDE RD, GLENFIELD, AUCKLAND, NEW ZEALAND - P: 09 477 3918

WWW.CRAFTSTONE.CO.NZ

**H2
SHEET**



BUILDING UNDERLAY

FLASHING TAPE JOINING METAL
"Z" FLASHING TO BUILDING
UNDERLAY

CAVITY SYSTEM
TIMBER CAVITY PACKER
MUST BE SET TO A FALL OF 5°

CAVITY CLOSER WITH 15mm DRIP
EDGE

WEATHERBOARDS ON CAVITY
BATTENS - ADDITIONAL BATTENS
WHERE REQUIRED

CUSTOM-MADE METAL "Z"
FLASHING

OPTIONAL CRAFTSTONE SILL CAP

SELECTED CRAFTSTONE
VENEER OVER CRAFTSTONE
ADHESIVE MORTAR

15.0°
5mm

100mm MIN. UPSTAND

DPC

CRAFTSTONE
CRAFTSTONE



**CRAFT
STONE**

Real Stone Made Easy

HORIZONTAL JOINT WITH WEATHERBOARD

1 : 2 @ A4
SCALE

11/02/20
ISSUED

COPYRIGHT PETROS HOLDINGS LIMITED (T/A CRAFTSTONE NEW ZEALAND)

CRAFTSTONE NEW ZEALAND ACCEPTS NO LIABILITY FOR DRAWINGS SUBMITTED TO COUNCIL

61 HILLSIDE RD, GLENFIELD, AUCKLAND, NEW ZEALAND - P: 09 447 3918

WWW.CRAFTSTONE.CO.NZ

J1
SHEET

BUILDING UNDERLAY

FLASHING TAPE JOINING METAL
"Z" FLASHING TO BUILDING
UNDERLAY

CAVITY SYSTEM
TIMBER CAVITY PACKER
MUST BE SET TO A FALL OF 5°

CAVITY CLOSER WITH 15mm DRIP
EDGE

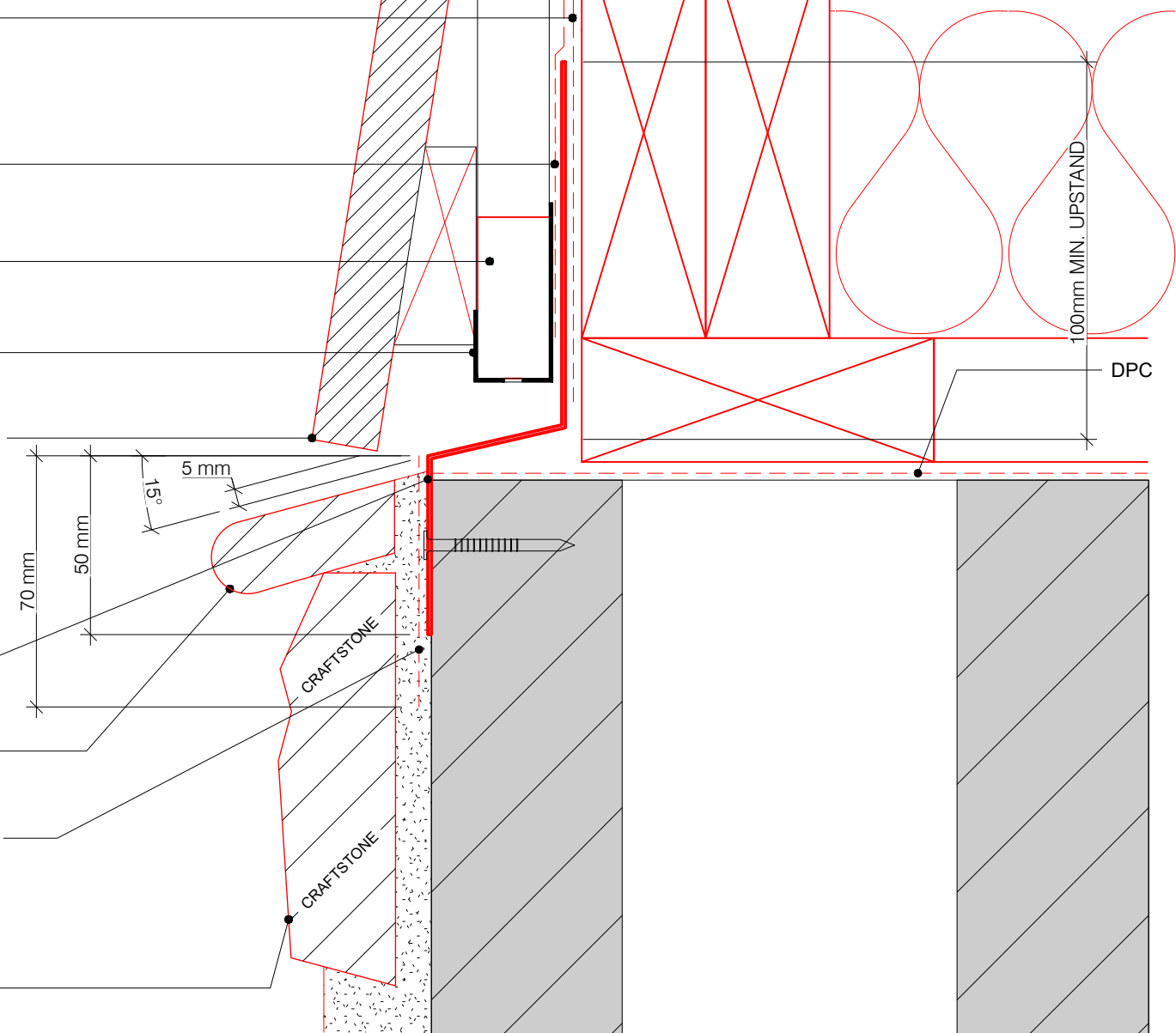
WEATHERBOARDS ON CAVITY
BATTENS - ADDITIONAL BATTENS
WHERE REQUIRED

CUSTOM-MADE METAL "Z"
FLASHING FIRMLY FIXED
WITH MASONRY FIXING

OPTIONAL CRAFTSTONE SILL CAP

70mm CRAFTSTONE
MORTAR-COMPATIBLE FLASHING TAPE
IN LAYER OF CRAFTBOND ADHESIVE
MORTAR

SELECTED CRAFTSTONE
VENEER OVER CRAFTSTONE
ADHESIVE MORTAR



**CRAFT
STONE**

Real Stone Made Easy

HORIZONTAL JOINT WITH WEATHERBOARD - OPTION 2

1 : 2 @ A4
SCALE

11/02/20
ISSUED

COPYRIGHT PETROS HOLDINGS LIMITED (T/A CRAFTSTONE NEW ZEALAND)

CRAFTSTONE NEW ZEALAND ACCEPTS NO LIABILITY FOR DRAWINGS SUBMITTED TO COUNCIL

61 HILLSIDE RD, GLENFIELD, AUCKLAND, NEW ZEALAND - P: 09 447 3918

J2
SHEET

WWW.CRAFTSTONE.CO.NZ

