


MERIVOBX

Let's create



www.blum.com



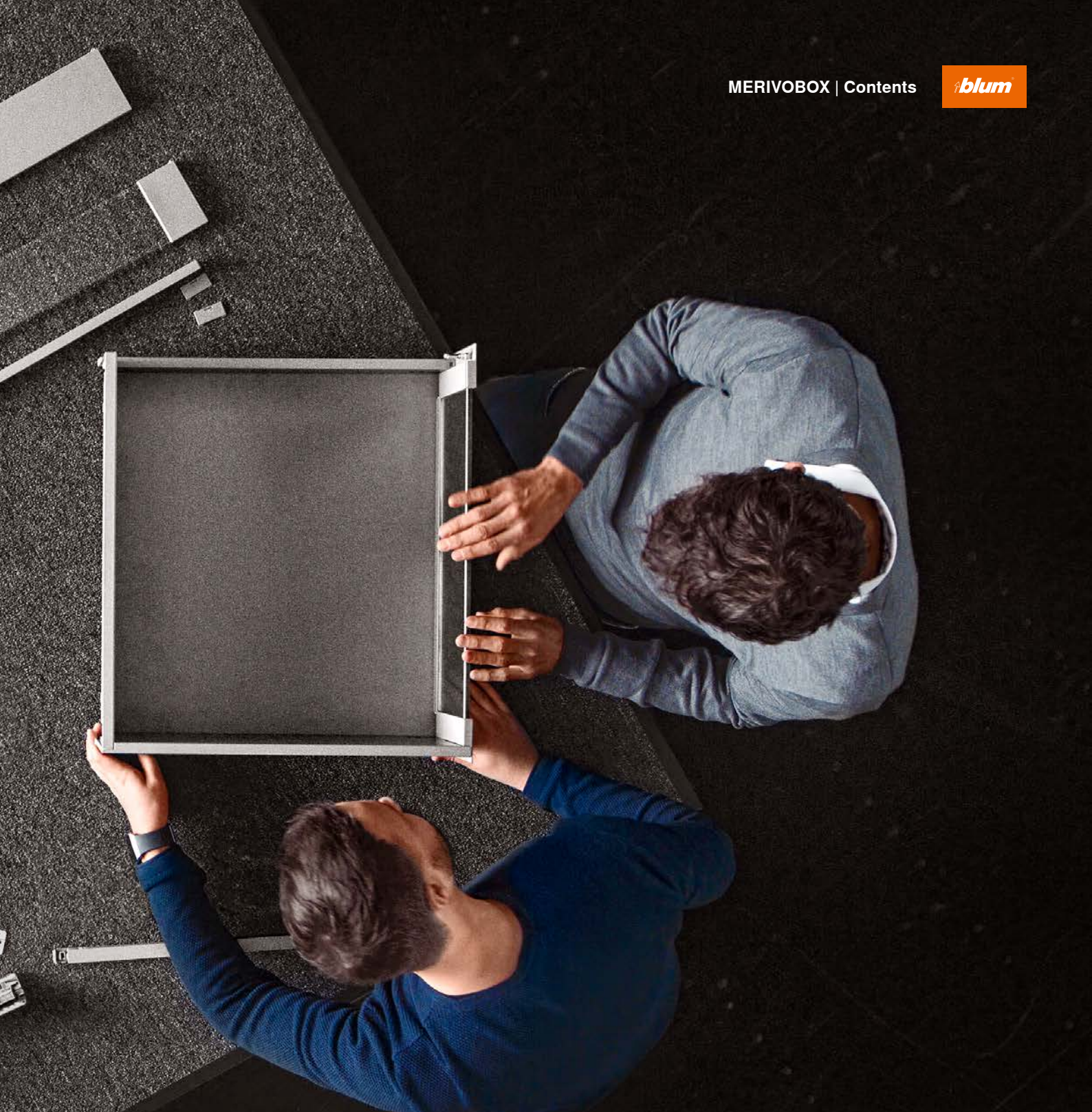


Launching a new box system is hard work and requires extensive research and development. But that is not all. We have had to rethink all our processes, expand our plants, make space for new and specially developed production facilities, manufacture the right tools and coordinate everything down to the last detail, including packaging and logistics. However, it also requires a huge effort from our customers and partners. It means changing manufacturing processes, adapting assembly and even training employees.

We are aware of all this. But we are convinced that MERIVOBX is worth the effort. Our latest box system provides a unique combination of a slim drawer side design, high stability and easy assembly. It allows you to create a broad range of drawers with just a few components – and all with the same easy assembly process. The L-shape of the cabinet profile is coupled with maximum functionality, which is what makes the uniform box platform so innovative. Assembly is always the same, adjustment is simple and MERIVOBX boasts award winning design.

MERIVOBX.

Offering variety has never been so easy.



Contents

- 04 Innovation drivers
- 06 Diverse platform
- 08 Unique design
- 10 Convincing functionality
- 12 Well-thought out assembly
- 14 The easy way to offer variety
- 18 MERIVOBX in the kitchen
- 20 MERIVOBX throughout the home
- 23 AMBIA-LINE
- 24 Motion technologies
- 26 moving ideas

Innovation drivers

MERIVOBX brings together four innovations: a platform for simplified manufacturing, a minimalist design for a unique look, a new cabinet profile for enhanced functionality and a well-thought-out assembly concept for easy implementation.

Platform

It takes just a few components to create your own extensive range. And you can make furniture manufacturing even more efficient at the same time. Diverse and yet simple.

Design

MERIVOBX boasts straight lines and a striking look. Create your own diverse and unmistakable range of furniture! Modern minimalism meets distinctive design.

Functionality

MERIVOBX will inspire your customers for the lifetime of the furniture. The newly developed cabinet profile concept delivers extremely smooth running action and high load bearing capacity coupled with a feather-light glide and enhanced stability.

Assembly

A well-thought-out concept. No matter which model you opt for, assembly is always simple and adjustment always the same. It is extremely easy to achieve precise results.



Detailed information on
MERIVOBX can be found at:
www.blum.com/merivobox



reddot winner 2021



One drawer side – countless possibilities

Drawer sides form the frame of the drawer. The integrated platform interface makes it easy to add a variety of components: MERIVOBX modular with a gallery or a closed metal side with BOXCAP. The range is rounded off by monolithic high fronted pull-out option MERIVOBX pure – for a high-quality drawer design with closed sides. It is therefore extremely easy to create differentiation for your customers.



One front for all

The same drilling position and front fixing bracket for your entire MERIVOBX range. One front for all drawer options and one for all high fronted pull-out options. This presents a compelling argument for faster assembly.

Simplify your processes with a diverse platform

Our completely new MERIVOBX box system gives you simple manufacturing and great variety, making it easier for you to meet the needs of your customers.



Cabinet profile as the basis of the platform

You can use the same fixing position (height and depth) for all applications – be it with BLUMOTION, SERVO-DRIVE or TIP-ON BLUMOTION, with side stabilisers or for inner drawers. Simply drill into the cabinet in the same way every time and then decide which solution you wish to install.

Exposed metal parts

Metal components and a coordinated colour scheme create a top quality look without any nylon components – even for the version with a gallery.

Smooth transitions

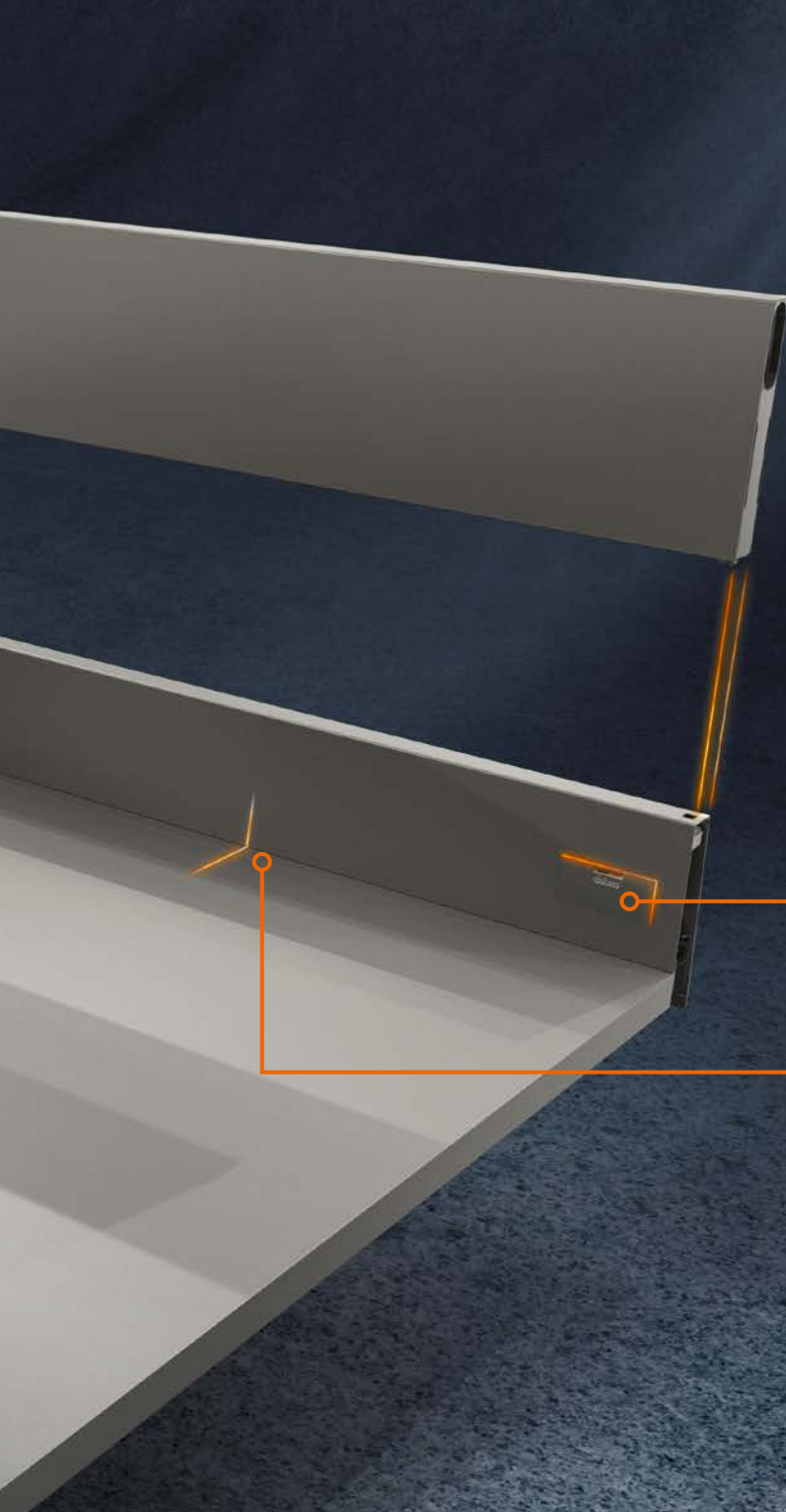
Smooth transitions are a key feature of the well-thought-out design – for virtually seamless pull-outs.

Distinctive drawer side design

The slim drawer side has a distinctive design line that creates exciting light reflections.

Branding element

Add your own branding to the drawer side – simply slide on the branding element for consistent positioning. Or not. Drawer sides have a sleek look even without a branding element.



Flush cover cap

The clear cut design on the inside is rounded off by a flush cover cap. AMBIA-LINE beautifully organises interiors even with cover caps in place.

Straight on the inside

This enables you to use storage space right up to the edge. Combine with AMBIA-LINE to create stunning interiors and maximise the storage available.

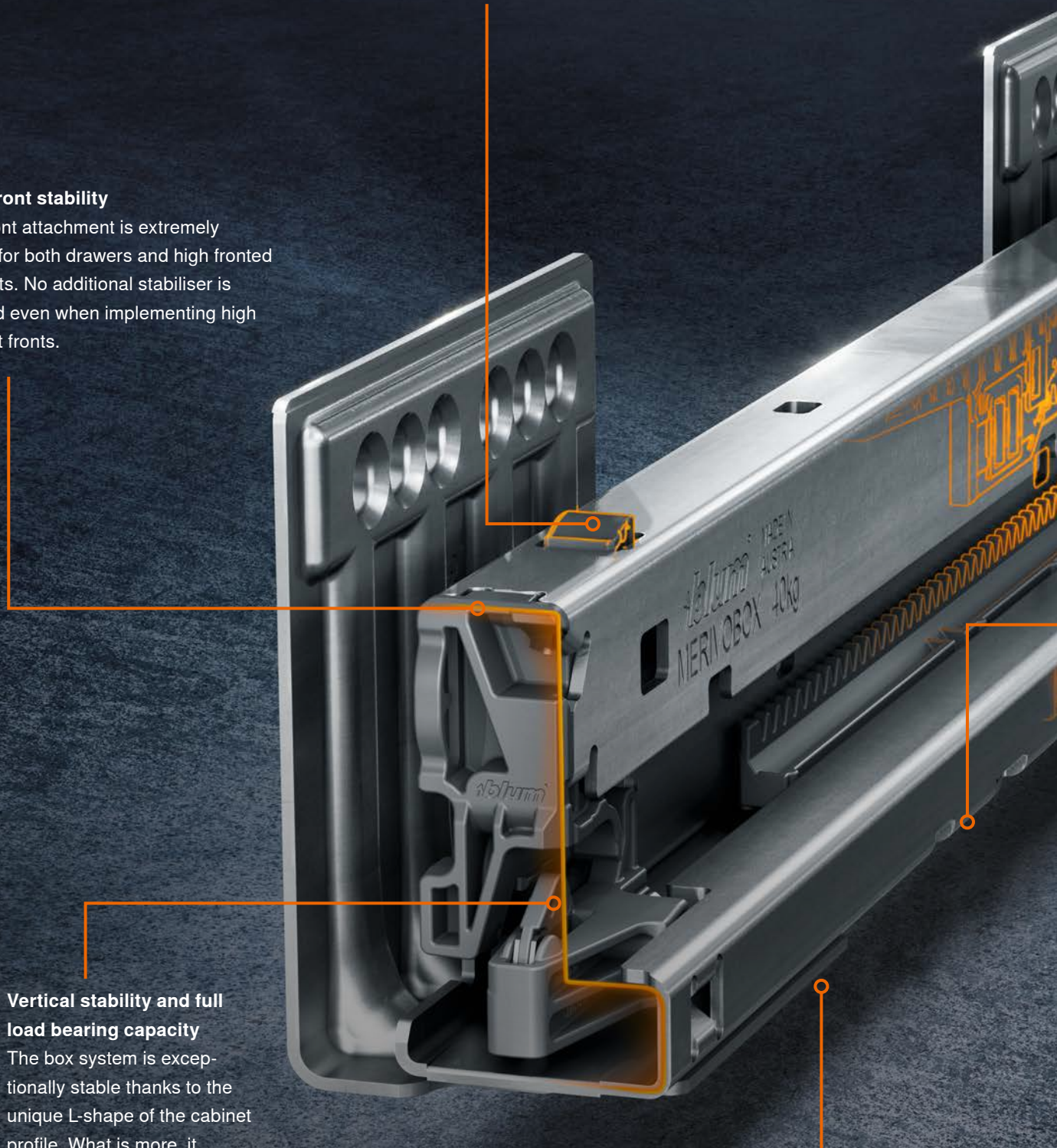
Opt for a unique design

Pull-out stop

The integrated pull-out stop guarantees that the cabinet profile and drawer are connected securely. Accidental removal is impossible.

High front stability

The front attachment is extremely stable for both drawers and high fronted pull-outs. No additional stabiliser is needed even when implementing high cabinet fronts.

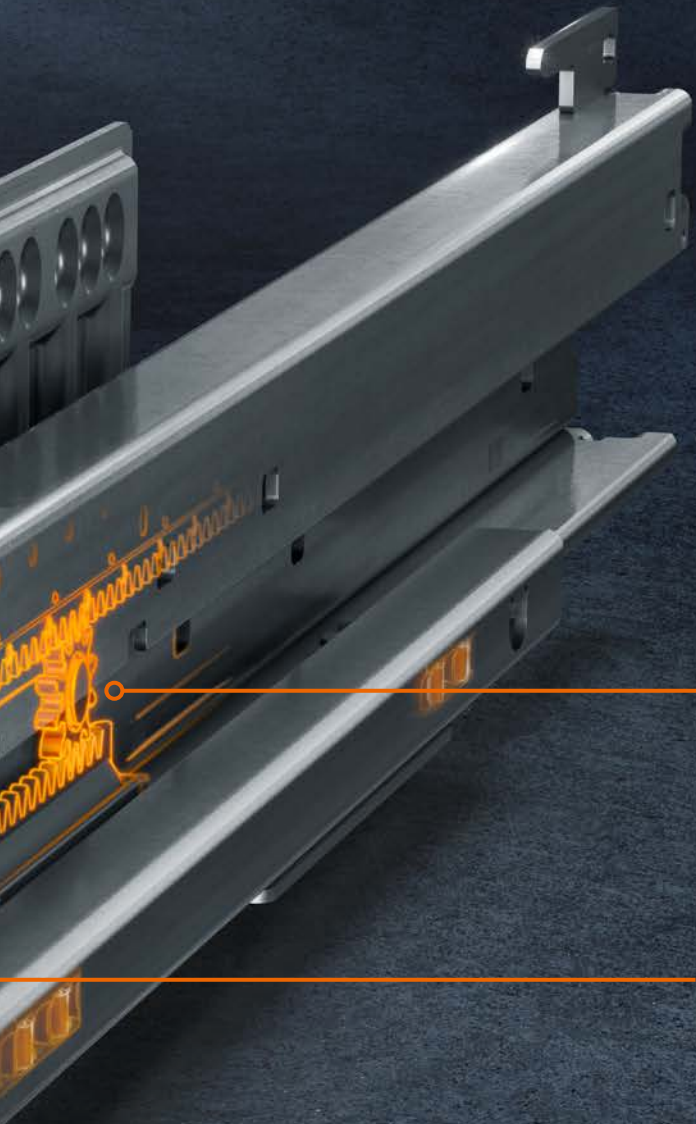


Vertical stability and full load bearing capacity

The box system is exceptionally stable thanks to the unique L-shape of the cabinet profile. What is more, it has a high dynamic carrying capacity of 40 or 70 kg.

Stable front position

No matter whether empty or fully laden. Once adjusted, the gap layout will remain aligned to create a harmonious look.



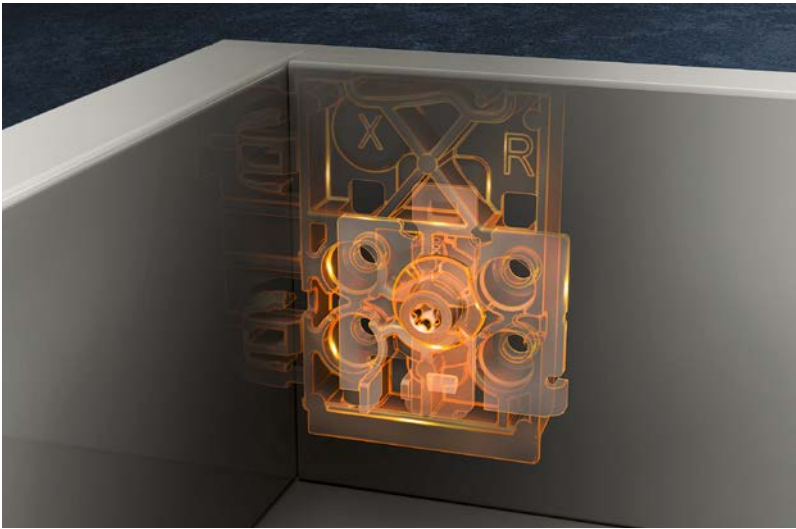
Synchronised feather-light glide

Thanks to full synchronisation, pull-outs open with ultimate ease. The new box system is characterised by a smooth opening and closing action that will convince kitchen buyers.

Interface for optional components

Equip MERIVOBX with motion technologies and side stabilisers to suit your needs – also possible at a later stage of the manufacturing process.

Benefit from convincing functionality



Tilt adjustment

You can adjust the front connector plate in just a few simple steps – no matter which drawer side height you use.



Fast, reliable assembly and removal of fronts

You can easily insert the front thanks to the holding position, even when a pull-out is already in place. Very wide fronts can also be easily removed, even by a single person.



Use our EASY ASSEMBLY app to find answers to any questions you may have about assembly and adjustment
www.blum.com/eaapp



Improve your efficiency with well-thought-out assembly

Every MERIVOBX option can be implemented quickly and easily thanks to the consistent platform concept. The box system has simple, clearly labelled and easily accessible 3-dimensional adjustment options for side, height and tilt adjustment, which are the same for every drawer side.



Fittings selection made easy with the online Product Configurator at www.blum.com/configurator



MERIVOBX in K height
Higher than M height as shown above, K height is the ideal solution for every extra bit of space.

The easy way to offer variety

MERIVOBX is based on a platform concept so you can create a broad range of drawers and pull-outs with just a few components – and all with the same easy assembly process. This simplifies production processes and increases efficiency.



MERIVOBX in N height

The perfect solution for shallow spaces like under the hob or in the toe kick.

MERIVOBX in M height

Drawer side height M is a true all-rounder – as a drawer, but also as a base for all high fronted pull-out options.



MERIVOBX modular with gallery

Create a clean cut design with the use of exposed metal components.

MERIVOBX modular with BOXCAP in E height

Simply clip on BOXCAP and you have a metal pull-out with closed sides.



MERIVOBX pure in E height

One side piece with no additional components creates a clean design with modern minimalism.

MERIVOBX modular with BOXCAP in F height

A large, BOXCAP pull-out on an M height drawer for closed sides at an even greater height.

MERIVOBX modular with
gallery in orion grey matt



The choice is yours


MERIVOBX is available in both silk white matt and orion grey matt to either discretely fit within the space or stand out as a feature. Be it in a kitchen, bathroom, laundry or bedroom, your hardware will amplify the design.



MERIVOBX modular with BOXCAP in silk white matt



MERIVOBX pure in orion grey matt



MERIVOBX in a SPACE TOWER
Sophisticated solutions such as the SPACE TOWER create valuable storage space and impresses even when heavily laden.

MERIVOBX in the kitchen

Its impressive functions make MERIVOBX ideal for the kitchen. Regardless of what's cooking, our latest box system ensures that kitchen users have clear visibility and ergonomic access to all storage items. Choose the right model to suit the application and your preferences. MERIVOBX is a reliable partner – and not just for cooking. For the lifetime of the furniture.



MERIVOBX in a sink cabinet

Keep worktops free and ensure that washing-up items are immediately to hand. The sink cabinet uses every inch of storage space available.



MERIVOBX in a SPACE TWIN

Diagonally offset runners allow you to turn gaps into valuable storage space, perfect for storing items such as bottles and chopping boards or spices.

MERIVOBX throughout the home

A box system that proves its worth in the kitchen is also ideally suited to other living areas. The top quality look of MERIVOBX blends seamlessly into any home.



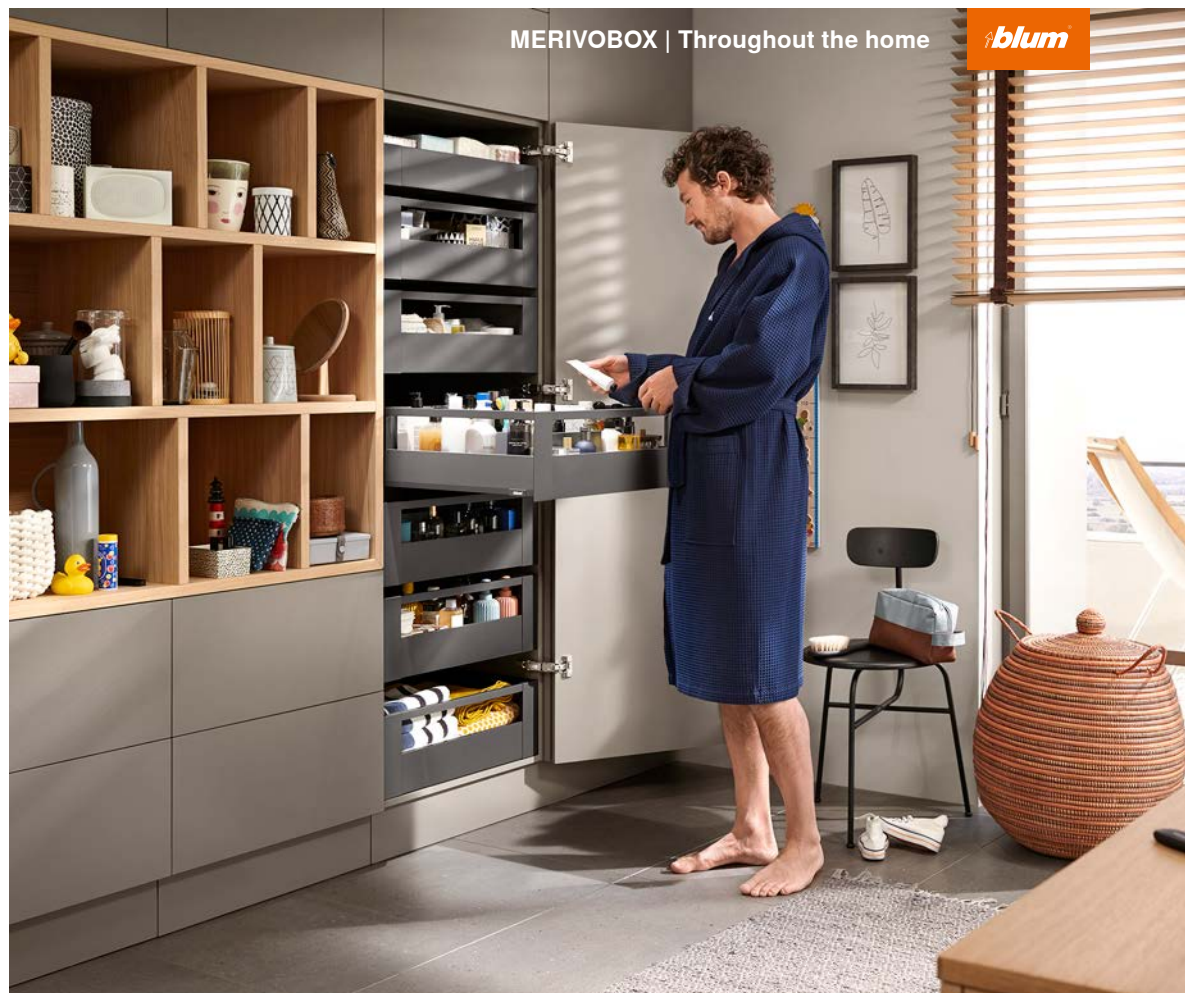
In the study

Equip your home office with MERIVOBX and make working from home a cinch. Pens, pads and folders are exactly where they should be and immediately to hand.

In the playroom

MERIVOBX with SPACE STEP creates additional storage space for toys and gives users easy access and quick clean up when required.





In the bathroom



MERIVOBX looks just as good in the bathroom, regardless of the application. Be it in the form of the SPACE TOWER or a conventional washstand, maximise the existing space and make day-to-day life easier. A stunning design enables you to meet customer requirements – no matter which version you opt for.



In the bedroom and wardrobe

Either as a bedside cabinet or cosmetics unit, MERIVOBX is practical for day-to-day use – and a plus for real bookworms and little beauty queens alike.



AMBIA-LINE – organisation at its best

The elegant frames of the AMBIA-LINE inner dividing system complement MERIVOBX perfectly.



Cutlery insert and drawer frame

Everything where it should be, from forks to wooden spoons. AMBIA-LINE gives you clear visibility of all contents.



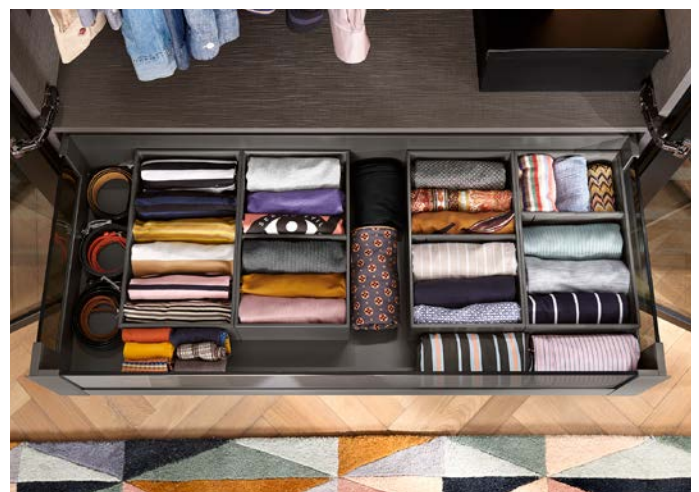
Drawer frame

Be it beauty accessories or odds and ends, everything is always tidy and to hand thanks to the inner dividing system.



Everything nice and tidy

Cross galleries and lateral dividers can be positioned flexibly so you can adapt MERIVOBX to suit storage items.



Frame for high fronted pull-outs

If you love to keep things neat and tidy, you can't go wrong with AMBIA-LINE for organising the entire wardrobe – regardless of the folding technique that you use.



100,000

opening and closing cycles

Blum fittings are designed to impress you on a daily basis with their functionality and durability. They have been put through as many as 100,000 opening and closing cycles. As a result, our pull-outs are a pleasure to use for the lifetime of the furniture.



Find out more about all four motion technologies by Blum at: www.blum.com/4formore

Motion technologies for MERIVOBX



BLUMOTION

by Blum

Mechanical soft close

Soft and effortless closing for all your furniture – no matter how heavy the pull-out, door or wall cabinet front.



SERVO-DRIVE

by Blum

Electrical opening and soft close

Wall cabinets and pull-outs open at a single touch. Soft and effortless closing thanks to the integrated BLUMOTION soft-close mechanism.



TIP-ON BLUMOTION

by Blum

Mechanical opening

Pull-outs open at a single press, giving users easy access to the opening of pull-out fronts. They close softly and effortlessly with an energetic push thanks to integrated BLUMOTION.



moving ideas

We believe that ideas can move the world. We offer innovative fittings, inspiring furniture concepts and appropriate services so that you can turn your creative ideas into reality. We are driven by your needs, international trends and our shared vision of a better quality of living. Let us work together to create moving ideas.



Quality of living

We would like you to enjoy greater convenience and functionality when using furniture.



Product range

Everything from a single source: our wide range of products allows you to keep up with today's and tomorrow's trends.



Inspiration

We monitor global trends and strive to create the solutions of tomorrow. We like to share our insights with you.



Innovation

We stay in motion. Curiosity and pioneering spirit drive us to develop new products and services for you.



Services

We support your daily operations with customised services tailored to your processes.



Quality

We continuously strive to improve our products, services and ourselves.



Trust

We take responsibility for partnerships, our employees, society and the environment.

Julius Blum started our journey in 1952 with horseshoe studs. Today we supply innovative fittings to customers in over 120 countries.

Blum New Zealand Ltd
621 Rosebank Road, Avondale
Auckland 1026
New Zealand
Phone: 09 820-5051
E-mail: info.nz@blum.com

Blum New Zealand Ltd
16 Avenger Crescent, Wigram
Christchurch 8042
New Zealand
Phone: 03 379-4984
E-mail: info.nz@blum.com

Julius Blum GmbH
Furniture Fittings Mfg.
6973 Höchst, Austria
Tel.: +43 5578 705-0
E-mail: info@blum.com
www.blum.com

Our sites in Austria, Poland and China are certified to the international standards mentioned below.
Our site in the USA is certified to ISO 9001.
Our site in Brazil is certified to ISO 9001 and ISO 14001.

