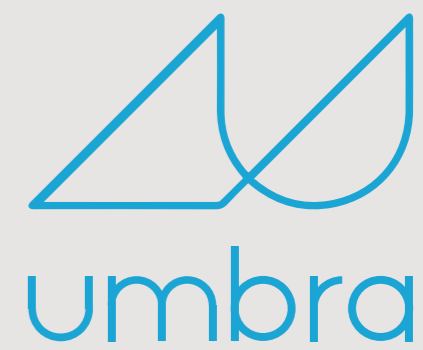


SLIDIA



OUTDOOR
LIVING

SLIDIA

Give modern appeal and depth to spaces...

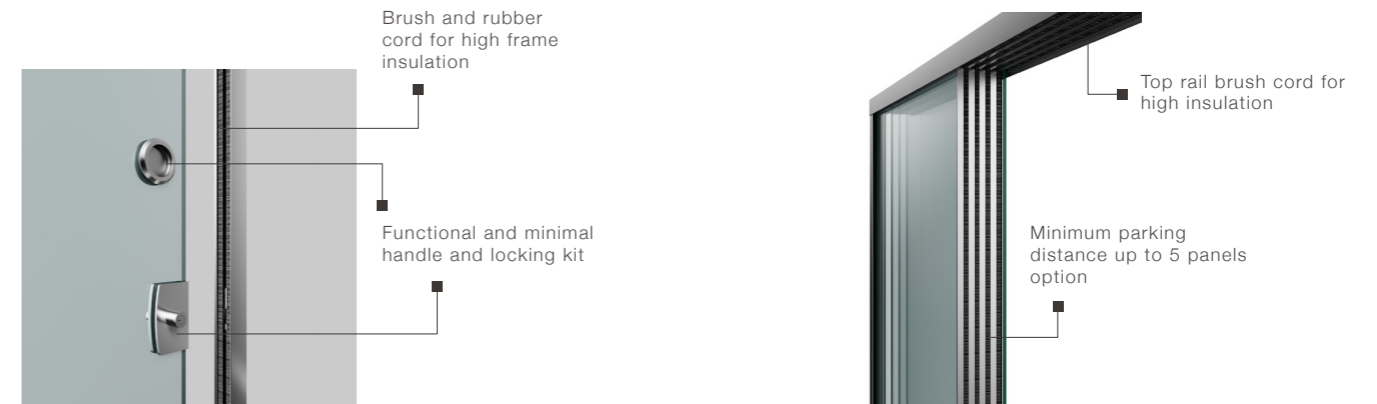
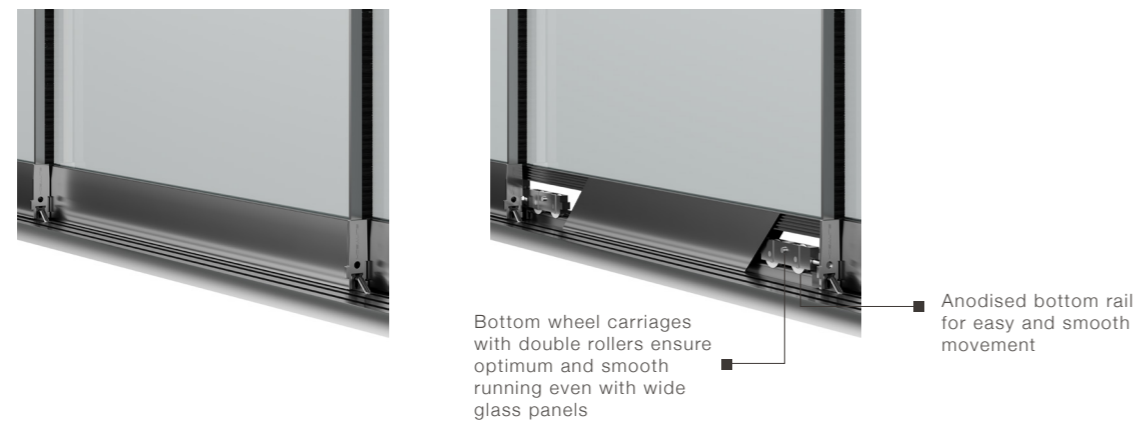
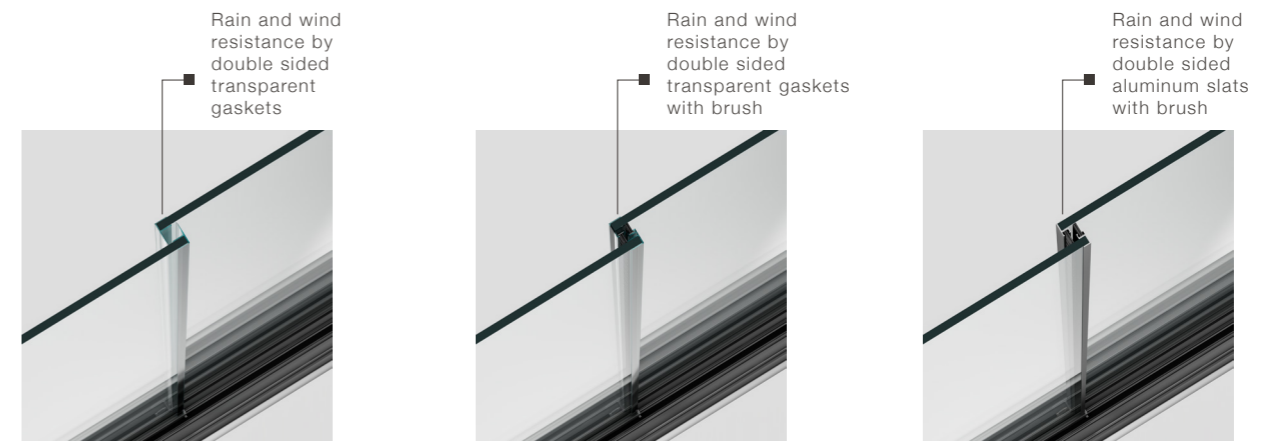
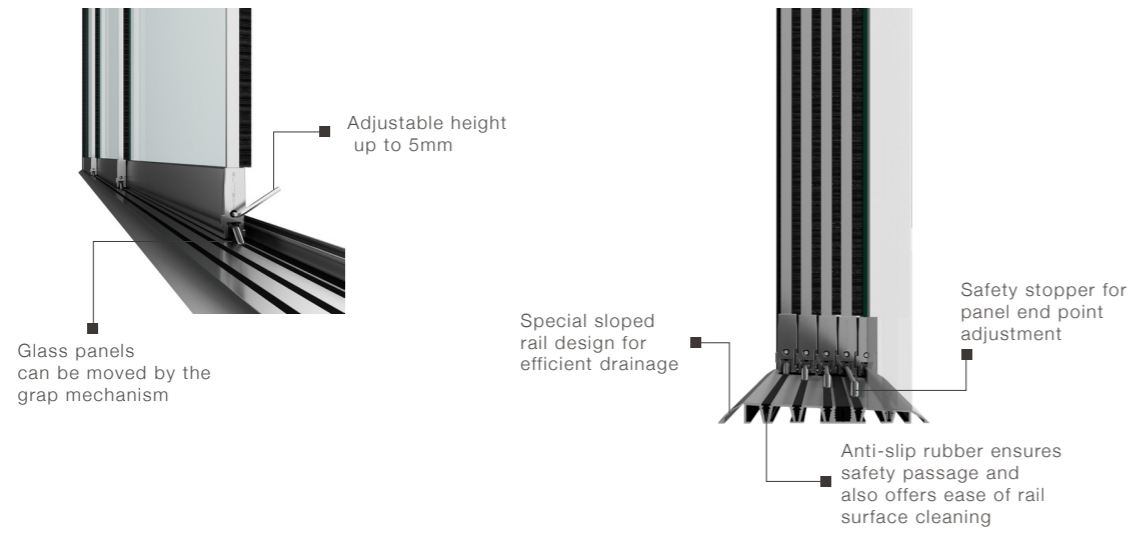
Slidia is a stylish and practical closing solution that can be integrated into structures and presents you indoor coziness along with outdoor coolness.

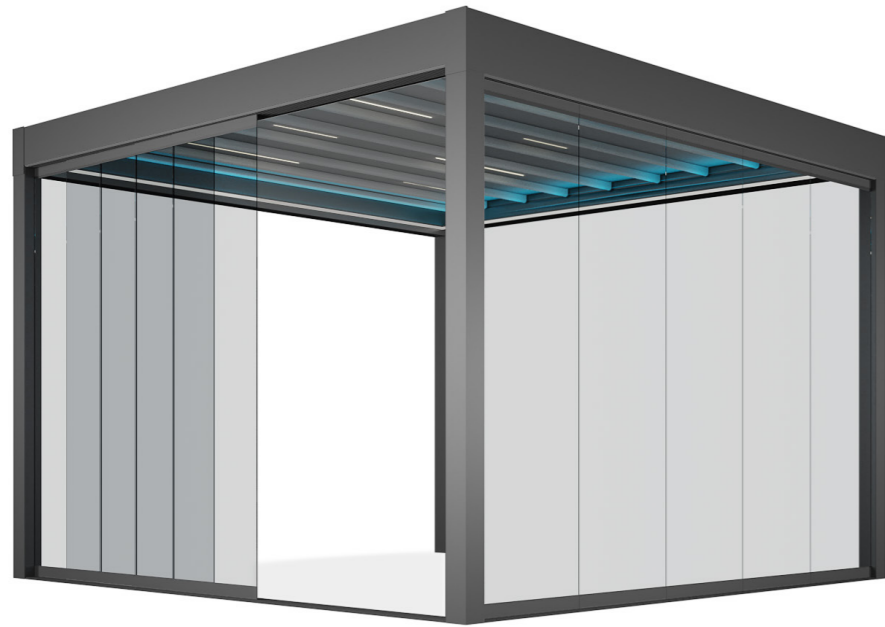
Sliding system enables the individual parallel sliding panels to be moved horizontally. By opening and closing of first sliding panel, the other sliding panels are automatically opened and closed by integrated subsequent panels. The floor-mounted construction means that a wide open area can be covered without additional roof supports.

The bottom wheel carriages ensure optimum and smooth running of the individual sliding panels. Height compensation of the ceiling rail up to 20 mm and height adjustment of the rollers up to 5 mm allows the sliding system to compensate for potential subsidence in the eaves or a lintel easily.

The sliding glass can be easily matched with attractive look you aspire with variety of rail and panel types. The system can be slided to one side or both sides as you desire.

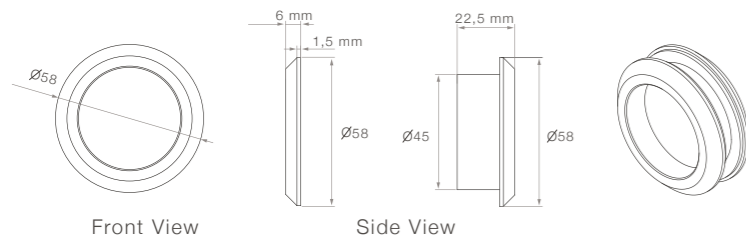




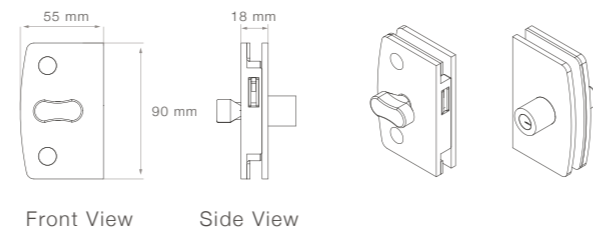


Single Glass Handle Types

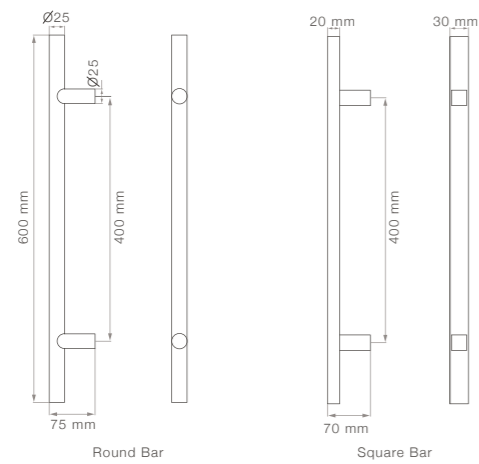
Flush Circle Handle



Sliding Glass Lock Types



Push & Pull Bar



Order Form

Company Name:
Order Reference:

Order Date:

DIMENSIONS

Width :.....mm Height :.....mm Quantity :.....pc
 W :.....mm H :.....mm Q :.....pc
 : : :
 : : :

GLASS OPTION

- With Glass
- Without Glass
- * Glass is 8MM

PANEL TYPES

Single Side	<input type="checkbox"/> 3 Rails 2 Panels	<input type="checkbox"/> 3 Rails 3 Panels	<input type="checkbox"/> 5 Rails 4 Panels	<input type="checkbox"/> 5 Rails 5 Panels	SLIDE DIRECTIONS Single Side <input type="checkbox"/> RX to LX <input type="checkbox"/> LX to RX
Double Side	<input type="checkbox"/> 3 Rails 4 Panels	<input type="checkbox"/> 3 Rails 6 Panels	<input type="checkbox"/> 5 Rails 8 Panels	<input type="checkbox"/> 5 Rails 10 Panels	Double Side *Center to RX and LX

POWDER-COAT COLORS

- | | | | |
|-------------------------------|--------------------------------|---------------------------------|------------------------------------|
| RAL colors | Exclusive colors | Texture colors | <input type="checkbox"/> Other ... |
| <input type="checkbox"/> 9016 | <input type="checkbox"/> OGN35 | <input type="checkbox"/> ST9010 | |
| <input type="checkbox"/> 1013 | <input type="checkbox"/> OS561 | <input type="checkbox"/> ST9001 | |
| <input type="checkbox"/> 9006 | <input type="checkbox"/> OY395 | <input type="checkbox"/> ST1013 | |
| <input type="checkbox"/> 7006 | <input type="checkbox"/> OGN39 | <input type="checkbox"/> ST7039 | |
| <input type="checkbox"/> 7016 | <input type="checkbox"/> ON617 | <input type="checkbox"/> ST7016 | |
| <input type="checkbox"/> 9005 | <input type="checkbox"/> ON611 | <input type="checkbox"/> ST8019 | |

HANDLE TYPE

- Flush Circle Handle
- Push & Pull Bar
 - Round Bar
 - Square Bar

PANEL INSULATION TYPE

- Transparent Gasket
- Transparent Gasket with Brush
- Aluminum Slat with Brush

GLASS COLORS

- TR22 / Transparent
- SM33 / Smoked
- GN44 / Green
- BL55 / Blue
- BR66 / Bronze
- Other.....

HANDLE POSITION

H:.....cm
 *Standard height value is 110 cm.

ADDITIONAL NOTES & DRAWINGS ATTACHED

Technical Details

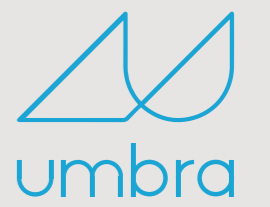


Glazing	8 mm tempered single glass
Slide Options	2,3 or 4 panels single slide 4,6,8 or 10 panels double slide
Max. width for single slide	6000 mm
Max. width for double slide	7200 mm
Max. height	2800 mm
Max. load capacity per panels	80 kg
Surface finish	Electrostatic powder-coating
Control system	Manual
Flush circle handle or push&pull bar	included
Lock	included

www.umbraoutdoorliving.com.au

info@umbraoutdoorliving.com.au

040 339 88 19



OUTDOOR
LIVING

