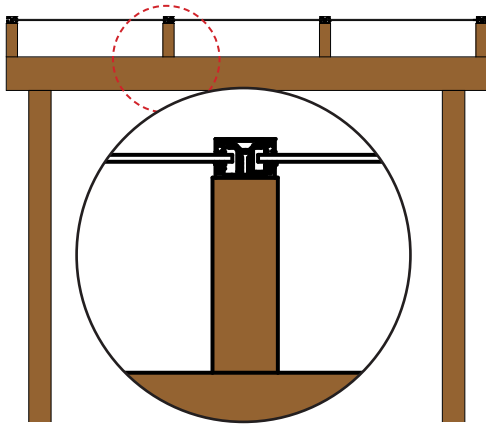
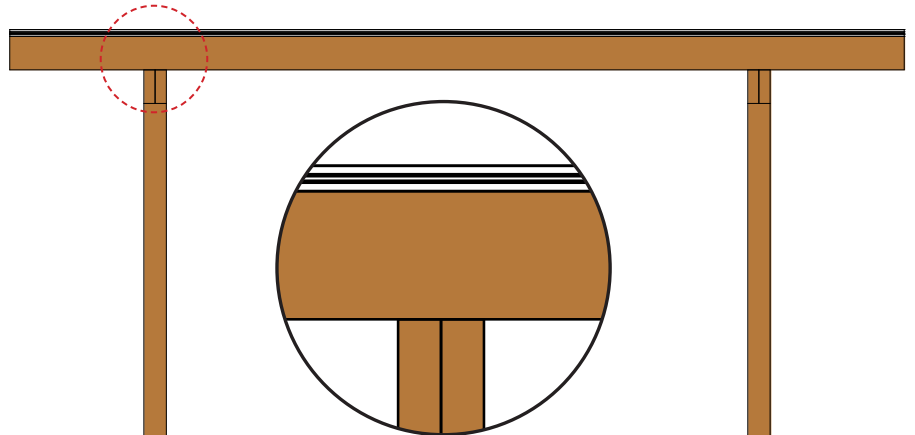


Bar Rafter Configuration



Front View



Side View

6mm Solid Acrylic/Polycarbonate @ 600mm Centres

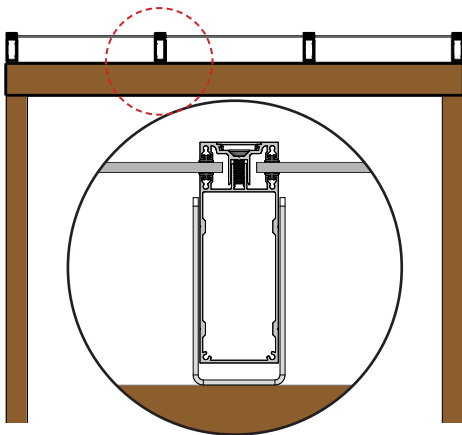
Timber Rafter Size	Wind Zone				
	Extra High	Very High	High	Medium	Low
90x45mm	1.9m	2.1m	2.4m	2.6m	2.6m
140x45mm	3.0m	3.3m	3.7m	4.0m	4.0m
190x45mm	4.0m	4.4m	5.0m	5.4m	5.4m
240x45mm	5.1m	5.6m	6.3m	6.8m	6.8m

8mm Solid Acrylic/Polycarbonate @ 750mm Centres

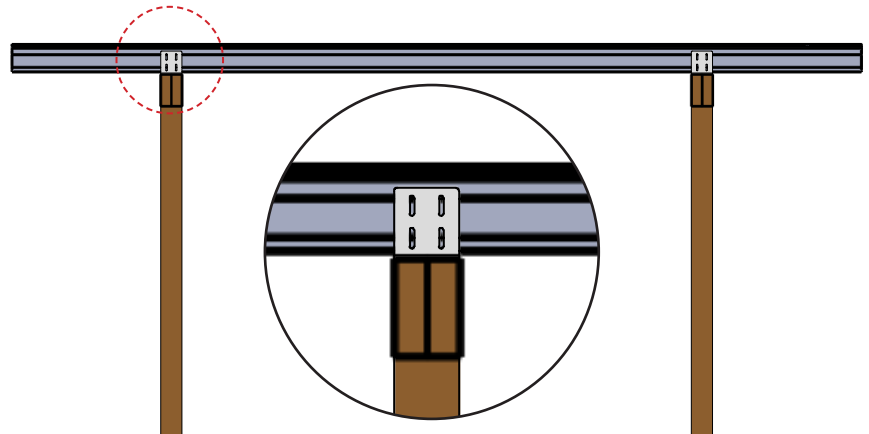
Timber Rafter Size	Wind Zone				
	Extra High	Very High	High	Medium	Low
90x45mm	1.7m	1.9m	2.1m	2.3m	2.3m
140x45mm	2.6m	2.9m	3.3m	3.6m	3.6m
190x45mm	3.6m	3.9m	4.5m	4.8m	4.8m
240x45mm	4.5m	5.0m	5.7m	6.1m	6.1m

Table limitations: Importance Level 2 buildings. Buildings not subject to snow loading. Specific to canopies fixed at 0.75 x h (median building height above ground). Width of canopy at least equal to height or greater. Spans indicative only - check with your installer prior to construction.

Glazing Box-Bar Rafter Configuration



Front View



Side View

ClearSpan Glazing Box/Bar - Maximum Allowable Spans by Wind Zone

	Glazing Thickness	Extra High	Very High	High	Medium	Low
600mm Centres	6mm	4.5m	4.9m	5.6m	6.0m	6.0m
750mm Centres	8mm	4.0m	4.4m	5.0m	5.4m	5.4m

Table limitations: d Load Midspan $Q = 0.5$. Box-Bar to be fixed with proprietary ClearSpan bracket and 4x bolts. Importance Level 2 buildings. Buildings not subject to snow loading. Specific to canopies fixed at $0.75 \times h$ (median building height above ground). Width of canopy at least equal to height or greater. Spans indicative only - check with your installer prior to construction.