



**2022**  
NEW ZEALAND  
PRICE LIST

# Table of Contents

---

Wolf Model Overview .....	3
Ovens .....	24
Convection Steam Ovens .....	34
Convection Speed Ovens .....	38
Warming Drawer .....	41
Vacuum Seal Drawer .....	42
Module Cooktops .....	43
Induction Cooktops .....	46
Gas Cooktops .....	49
Coffee Systems .....	51
Induction Ranges .....	55
Dual Fuel Ranges .....	57
Sealed Burner Rangetops .....	66
Outdoor Cooking .....	70
Cooktop Ventilation .....	76
Pro Ventilation .....	81
Wolf Warranties .....	86

*The information and images in this guide are the copyright property of Sub-Zero, Inc. Neither this guide nor any information or images contained herein may be copied or used in whole or in part without the express written permission of Sub-Zero, Inc. ©Sub-Zero, Inc. all rights reserved.*

*Sub-Zero, Sub-Zero & Design, Sub-Zero & Snowflake Design, Dual Refrigeration, The Living Kitchen, Great American Kitchens The Fine Art of Kitchen Design, Wolf, Wolf & Design, Wolf Gourmet, W & Design, red colored knobs, Cove, and Cove & Design, are registered trademarks and service marks of Sub-Zero Group, Inc. and its subsidiaries.*

*All other trademarks are property of their respective owners in the United States and other countries.*

Model numbers, specifications, and prices are subject to change at any time without notice.



Indicates Star-K certified.



# M Series Ovens



MODEL	ICBSO30TM/S/TH	ICBDO30TM/S/TH	ICBSO30PM/S/PH	ICBDO30PM/S/PH
Description	Transitional Single Oven	Transitional Double Oven	Professional Single Oven	Professional Double Oven

## MODEL / INSTALLATION OPTIONS

Standard	•	•	•	•
Flush Inset	•	•	•	•

## PRICES

Base Price	\$17,495	\$25,999	\$18,999	\$27,999
------------	----------	----------	----------	----------

## SPECIFICATIONS

Width (mm)	759	759	759	759
Height (mm)	724	1292	724	1292
Depth (mm)	584	584	584	584
Door Clearance (mm)	543	543	543	543
Overall Capacity (L)	144	144 / 144*	144	144 / 144*
Interior Usable Volume (L)	125	125 / 125*	125	125 / 125*
Heating Elements	4	4 / 4*	4	4 / 4*

## FEATURES

Handle Type	Tubular	Tubular	Pro	Pro
Convection	Dual	Dual	Dual	Dual
Cooking Modes	10	10	10	10
Temperature Range (°C)	30–285	30–285	30–285	30–285
Interactive Color Touchscreen	•	•	•	•
Display Language Selection	EN FR DE IT ES NL CN	EN FR DE IT ES NL CN	EN FR DE IT ES NL CN	EN FR DE IT ES NL CN
Programmable Start/Stop	•	•	•	•
Self-Cleaning (Pyrolytic)	•	•	•	•
Standard Oven Racks	1	1 / 1*	1	1 / 1*
Full Extension Ball Bearing Rack	2	2 / 2*	2	2 / 2*
Multifunction Pan	1	1	1	1
Temperature Probe	•	•	•	•
Oven Grill (Broil)	•	•	•	•

## TECHNICAL DATA

Energy Class	A	A	A	A
Voltage	220–240	220–240	220–240	220–240
Electrical Load (kW)	4.2–4.8	8.4–9.6	4.2–4.8	8.4–9.6
Electrical Load 3-Phase (kW)	3–3.6	4.2–4.8	3–3.6	4.2–4.8
Frequency (Hz)	50/60	50/60	50/60	50/60

\*Oven 2.

# M Series Ovens



MODEL	ICBSO30CM/B	ICBDO30CM/B	ICBSO30CM/S	ICBDO30CM/S
Description	Contemporary Single Oven	Contemporary Double Oven	Contemporary Stainless Steel Single Oven	Contemporary Stainless Steel Double Oven

## MODEL / INSTALLATION OPTIONS

Standard	•	•	•	•
Flush Inset	•	•	•	•

## PRICES

Base Price	\$17,499	\$26,495	\$18,999	\$26,999
------------	----------	----------	----------	----------

## SPECIFICATIONS

Width (mm)	759	759	759	759
Height (mm)	724	1292	724	1292
Depth (mm)	584	584	584	584
Door Clearance (mm)	543	543	543	543
Overall Capacity (L)	144	144 / 144*	144	144 / 144*
Interior Usable Volume (L)	125	125 / 125*	125	125 / 125*
Heating Elements	4	4 / 4*	4	4 / 4*

## FEATURES

Handle Type	Handleless	Handleless	Handleless	Handleless
Convection	Dual	Dual	Dual	Dual
Cooking Modes	10	10	10	10
Temperature Range (°C)	30–285	30–285	30–285	30–285
Interactive Color Touchscreen	•	•	•	•
Display Language Selection	EN FR DE IT ES NL CN	EN FR DE IT ES NL CN	EN FR DE IT ES NL CN	EN FR DE IT ES NL CN
Programmable Start/Stop	•	•	•	•
Self-Cleaning (Pyrolytic)	•	•	•	•
Standard Oven Racks	1	1 / 1*	1	1 / 1*
Full Extension Ball Bearing Rack	2	2 / 2*	2	2 / 2*
Multifunction Pan	1	1	1	1
Temperature Probe	•	•	•	•
Oven Grill (Broil)	•	•	•	•

## TECHNICAL DATA

Energy Class	A	A	A	A
Voltage	220–240	220–240	220–240	220–240
Electrical Load (kW)	4.2–4.8	8.4–9.6	4.2–4.8	8.4–9.6
Electrical Load 3-Phase (kW)	3–3.6	4.2–4.8	3–3.6	4.2–4.8
Frequency (Hz)	50/60	50/60	50/60	50/60

\*Oven 2.

# E Series Ovens

**NEW**

**NEW**



MODEL	ICBSO2418TE/S/TH	ICBSO24TE/S/TH	ICBSO3050TE/S/T	ICBSO3050PE/S/P
Description	Transitional Single Oven	Transitional Single Oven	Transitional Single Oven	Professional Single Oven

### MODEL / INSTALLATION OPTIONS

Standard	•	•	•	•
Flush Inset	•	•	•	•

### PRICES

Base Price	\$7,699	\$7,699	\$14,990	\$14,990
------------	---------	---------	----------	----------

### SPECIFICATIONS

Width (mm)	597	597	759	759
Height (mm)	454	597	723	723
Depth (mm)	546	546	584	584
Door Clearance (mm)	360	460	543	543
Overall Capacity (L)	50	68	131	131
Interior Usable Volume (L)	50	68	113	113
Heating Elements	3	3	4	4

### FEATURES

Handle Type	Tubular	Tubular	Tubular	Pro
Convection	Single	Single	Dual	Dual
Cooking Modes	11	11	10	10
Temperature Range (°C)	30–300	30–300	30–285	30–285
Display Language Selection	DE FR IT EN ES NL RU ZH HE TR CN	DE FR IT EN ES NL RU ZH HE TR CN	DE FR IT EN ES NL CN	DE FR IT EN ES NL CN
Programmable Start/Stop	•	•	•	•
Self-Cleaning (Pyrolytic)	•	•	•	•
Standard Oven Racks	1	1	1	1
Full Extension Ball Bearing Rack			2	2
Full Width Baking Tray	1	1		
Multifunction Pan			1	1
Temperature Probe	•	•	•	•
Oven Grill (Broil)	•	•	•	•

### TECHNICAL DATA

Energy Class	A	A	A	A
Voltage	220–240	220–240	220–240	220–240
Electrical Load (kW)	3.4	3.4	3.8–4.8	3.8–4.8
Electrical Load 3-Phase (kW)			3–3.6	3–3.6
Frequency (Hz)	50	50	50/60	50/60

# Convection Steam Ovens



MODEL	ICBCSO24TE/S/TH	ICBCSO30TE/S/TH	ICBCSO30PE/S/PH	ICBCSO30TM/S/TH
Description	E Series Transitional Steam Oven	E Series Transitional Steam Oven	E Series Professional Steam Oven	M Series Transitional Steam Oven

## MODEL / INSTALLATION OPTIONS

Standard	•	•	•	•
Flush Inset	•	•	•	•

## PRICES

Base Price	\$13,990	\$14,990	\$14,990	\$16,999
------------	----------	----------	----------	----------

## SPECIFICATIONS

Width (mm)	597	759	759	759
Height (mm)	454	454	454	454
Depth (mm)	546	546	546	546
Door Clearance (mm)	360	360	360	360
Overall Capacity (L)	51	51	51	51
Interior Usable Volume (L)	51	51	51	51
Water Tank Capacity (L)	1	1	1	1
Heating Element (W)	2200	2200	2200	2200

## FEATURES

Handle Type	Tubular	Tubular	Pro	Tubular
Convection	•	•	•	•
Cooking Modes	12	12	12	12
Temperature Range (°C)	30–230	30–230	30–230	30–230
Display Language Selection	DE FR IT EN ES NL RU ZH HE TR CN	DE FR IT EN ES NL RU ZH HE TR CN	DE FR IT EN ES NL RU ZH HE TR CN	DE FR IT EN ES NL RU ZH HE TR CN
Programmable Start/Stop	•	•	•	•
Interior Racks	2	2	2	2
Temperature Probe	•	•	•	•
Sous Vide	•	•	•	•

## TECHNICAL DATA

Energy Class	A+	A+	A+	A+
Voltage	220–240	220–240	220–240	220–240
Electrical Load (kW)	3.7	3.7	3.7	3.7
Frequency (Hz)	50	50	50	50

# Convection Steam Ovens



MODEL	ICBCSO30PM/S/PH	ICBCSO30CM/B/TH	ICBCSO30CM/B	ICBCSO30CM/S
Description	M Series Professional Steam Oven	Contemporary Steam Oven	M Series Contemporary Steam Oven with Retractable Handle	M Series Contemporary Stainless Steel Steam Oven with Retractable Handle

## MODEL / INSTALLATION OPTIONS

Standard	•	•	•	•
Flush Inset	•	•	•	•

## PRICES

Base Price	\$16,999	\$16,999	\$16,999	\$16,999
------------	----------	----------	----------	----------

## SPECIFICATIONS

Width (mm)	759	759	759	759
Height (mm)	454	454	454	454
Depth (mm)	546	546	546	546
Door Clearance (mm)	360	360	360	360
Overall Capacity (L)	51	51	51	51
Interior Usable Volume (L)	51	51	51	51
Water Tank Capacity (L)	1	1	1	1
Heating Element (W)	2200	2200	2200	2200

## FEATURES

Handle Type	Pro	Tubular	Retractable	Retractable
Convection	•	•	•	•
Cooking Modes	12	12	12	12
Temperature Range (°C)	30–230	30–230	30–230	30–230
Display Language Selection	DE FR IT EN ES NL RU ZH HE TR CN	DE FR IT EN ES NL RU ZH HE TR CN	DE FR IT EN ES NL RU ZH HE TR CN	DE FR IT EN ES NL RU ZH HE TR CN
Programmable Start/Stop	•	•	•	•
Interior Racks	2	2	2	2
Temperature Probe	•	•	•	•
Sous Vide	•	•	•	•

## TECHNICAL DATA

Energy Class	A+	A+	A+	A+
Voltage	220–240	220–240	220–240	220–240
Electrical Load (kW)	3.7	3.7	3.7	3.7
Frequency (Hz)	50	50	50	50

# Speed Ovens



MODEL	ICBSPO24TE/S/TH	ICBSPO30TE/S/TH	ICBSPO30PE/S/PH	ICBSPO30TM/S/TH	ICBSPO30PM/S/PH	ICBSPO30CM/B/TH
Description	E Series Transitional Speed Oven	E Series Transitional Speed Oven	E Series Professional Speed Oven	M Series Transitional Speed Oven	M Series Professional Speed Oven	M Series Contemporary Speed Oven

## MODEL / INSTALLATION OPTIONS

Standard	•	•	•	•	•	•
Flush Inset	•	•	•	•	•	•

## PRICES

Base Price	\$6,495	\$10,495	\$7,299	\$7,099	\$7,099	\$7,099
------------	---------	----------	---------	---------	---------	---------

## SPECIFICATIONS

Width (mm)	597	759	759	759	759	759
Height (mm)	454	454	454	454	454	454
Depth (mm)	546	546	546	546	546	546
Door Clearance (mm)	360	360	360	360	360	360
Overall Capacity (L)	46	46	46	46	46	46
Interior Usable Volume (L)	43	43	43	43	43	43
Convection Heating Element (W)	1600	1600	1600	1600	1600	1600
Grill (Broil) Heating Element (W)	1500	1500	1500	1500	1500	1500

## FEATURES

Handle Type	Tubular	Tubular	Pro	Tubular	Pro	Tubular
Convection	•	•	•	•	•	•
Cooking Modes	11	11	11	11	11	11
Temperature Range (°C)	40–230	40–230	40–230	40–230	40–230	40–230
Display Language Selection	EN	EN	EN	EN	EN	EN
Programmable Start/Stop						
Interior Racks	2	2	2	2	2	2
Rotating Glass Tray	•	•	•	•	•	•
Temperature Probe						
LED Lit Interior	•	•	•	•	•	•

## TECHNICAL DATA

Voltage	220–240	220–240	220–240	220–240	220–240	220–240
Electrical Load (kW)	2.55	2.55	2.55	2.55	2.55	2.55
Frequency (Hz)	50	50	50	50	50	50



# Warming Drawer & Vacuum Seal Drawer



<b>MODEL</b>	
<b>ICBWD300</b>	
Description	Indoor/Outdoor Warming Drawer
<b>MODEL / INSTALLATION OPTIONS</b>	
Standard	•
Flush Inset	•
<b>PRICES</b>	
Base Price	\$6,599
<b>SPECIFICATIONS</b>	
Width (mm)	759
Height (mm)	264
Depth (mm)	578
Door/Drawer Clearance (mm)	546
Overall Capacity (L)	45
Interior Usable Volume (L)	44
Heating Element (W)	850
<b>FEATURES</b>	
Black	
Stainless Steel	
Handle Type	All
Temperature Range (°C)	29–93
Programmable Start/Stop	•
Hidden Control Panel	•
Interior Racks	1
<b>TECHNICAL DATA</b>	
Voltage	220–240
Electrical Load (kW)	0.85
Frequency (Hz)	50/60

<b>MODEL</b>	
<b>ICBVS24</b>	
Description	Vacuum Seal Drawer
<b>MODEL / INSTALLATION OPTIONS</b>	
Standard	•
Flush Inset	•
<b>PRICES</b>	
Base Price	\$9,799
<b>SPECIFICATIONS</b>	
Width (mm)	597
Height (mm)	140
Depth (mm)	533
Door/Drawer Clearance (mm)	432
Overall Capacity (L)	7
<b>FEATURES</b>	
Black	•
Stainless Steel	•
Handle Type	Handleless
Hidden Controls	•
Vacuum Settings	3
Heat-sealing Levels	3
<b>TECHNICAL DATA</b>	
Voltage	220–240
Electrical Load (kW)	0.3
Frequency (Hz)	50/60

# Module Cooktops – Gas



MODEL	ICBCG152TF/S ♦	ICBMM15TF/S ♦
Description	Transitional Gas Cooktop	Transitional Multifunction Cooktop

Models with this symbol (♦) can be paired with cooktops and modules.

## MODEL / INSTALLATION OPTIONS

Standard	•	•
Flush		
Side-by-Side Installation	•	•
Installation with Downdraft	•	•

## PRICES

Natural Gas	\$3,725	\$4,725
LPG	\$3,725	\$4,725

## SPECIFICATIONS

Width (mm)	381	381
Height (mm)	102	127
Depth (mm)	533	533
Burner – Large (kW)		8.0
Burner – Medium (kW)	3.5	
Burner – Small (kW)	2.7	

## FEATURES

Illuminated Controls	•	•
Choice of Knob Color		
True Simmer Setting	•	
Individual Spark Ignition	•	•
Sealed Burners	•	•
Flame Recognition	•	•
Automatic Re-ignition	•	•
Low-Profile Continuous Grates	•	•
Seamless Design	•	•

## TECHNICAL DATA

Voltage	220–240	220–240
Electrical Load (amp)	0.2	0.3
Frequency (Hz)	50/60	50/60

# Module Cooktops – Electric and Induction

NEW



MODEL	ICBCI152TF/S ♦	ICBSM15TF/S ♦	ICBGM15TF/S ♦
Description	Transitional Induction Cooktop	Transitional Steamer	Transitional Grill

Models with this symbol (♦) can be paired with cooktops and modules.

## MODEL / INSTALLATION OPTIONS

Standard	•	•	•
Flush			
Side-by-Side Installation	•	•	•
Installation with Downdraft	•		

## PRICES

Base Price	\$4,699	\$8,799	\$5,999
------------	---------	---------	---------

## SPECIFICATIONS

Width (mm)	381	381	381
Height (mm)	51	343	152
Depth (mm)	533	533	533
Temperature Zones	2		2
Element – Large (W)		2700	2800
Element – Medium (W)	2300 / 3700 boost		
Element – Small (W)	1400		
Lowest Temperature (°C)		60	
Highest Temperature (°C)		100	
Maximum Power Output (W)	3700		

## FEATURES

Digital Touch Controls	•	•	•
Countdown Timer	•	•	•
Hot Surface Indicator	•		
Boil Dry	•	•	
Universal Off	•	•	•
Illuminated Controls	•	•	•
Graduated Control Lighting		•	•
Safety Lock	•	•	•
True Simmer Setting	•		
Melt Setting	•		
Seamless Design	•	•	•
Stainless Steel Frame	•	•	•
Steamer Basket		•	
Sous Vide Basket		•	
Drain Type		Electronic	

## TECHNICAL DATA

Voltage	220–240	220–240	220–240
Electrical Load (kW)	3.7	2.2–2.7	2.4–2.8
3-Phase (kW)	3.7		
Frequency (Hz)	50/60	50/60	50/60

# Induction Cooktops



MODEL	ICBCI243TF/S ◆	ICBCI243C/B	ICBCI304TF/S ◆	ICBCI304C/B	ICBCI365TF/S ◆	ICBCI365C/B
Description	Transitional Induction Cooktop	Contemporary Induction Cooktop	Transitional Induction Cooktop	Contemporary Induction Cooktop	Transitional Induction Cooktop	Contemporary Induction Cooktop

Models with this symbol (◆) can be paired with module cooktops.

## MODEL / INSTALLATION OPTIONS

Standard	•		•		•	
Flush		•		•		•
Side-by-Side Installation	•		•		•	
Installation with Downdraft	•	•	•	•	•	•

## PRICES

Base Price	\$6,495	\$5,495	\$7,645	\$7,099	\$9,299	\$8,745
------------	---------	---------	---------	---------	---------	---------

## SPECIFICATIONS

Width (mm)	600	600	762	762	914	914
Height (mm)	51	64	51	64	51	64
Depth (mm)	533	533	533	533	533	533
Temperature Zones	4	4	5	5	10	10
Element – Large (W)	2600 / 3700 boost	2600 / 3700 boost	2600 / 3700 boost	2600 / 3700 boost	2600 / 3700 boost	2600 / 3700 boost
Element – Medium (W)	(1) 2100 (1) 2100 / 3700 boost	(1) 2100 (1) 2100 / 3700 boost	(1) 2100 (1) 2100 / 3700 boost	(1) 2100 (1) 2100 / 3700 boost	(2) 2100 (2) 2100 / 3700 boost	(2) 2100 (2) 2100 / 3700 boost
Element – Small (W)			1400	1400		
Maximum Power Output (W)	6850	6850	7400	7400	11,100	11,100

## FEATURES

Digital Touch Controls	•	•	•	•	•	•
Countdown Timer	•	•	•	•	•	•
Hot Surface Indicator	•	•	•	•	•	•
Boil Dry	•	•	•	•	•	•
Universal Off	•	•	•	•	•	•
Illuminated Controls	•	•	•	•	•	•
Safety Lock	•	•	•	•	•	•
True Simmer Setting	•	•	•	•	•	•
Melt Setting	•	•	•	•	•	•
Seamless Design	•	•	•	•	•	•
Stainless Steel Frame	•		•		•	

## TECHNICAL DATA

Voltage	220–240	220–240	220–240	220–240	220–240	220–240
Electrical Load (kW)	6.8	6.8	7.4	7.4	11.1	11.1
3-Phase (kW)	3.7	3.7	3.7	3.7	3.7	3.7
Frequency (Hz)	50/60	50/60	50/60	50/60	50/60	50/60

# Gas Cooktops



MODEL	ICBCG304T/S	ICBCG365T/S	ICBCG304P/S	ICBCG365P/S
Description	Transitional Gas Cooktop	Transitional Gas Cooktop	Professional Gas Cooktop	Professional Gas Cooktop

## MODEL / INSTALLATION OPTIONS

Standard	•	•	•	•
Flush				
Side-by-Side Installation	•	•	•	•
Installation with Downdraft	•	•	•	•

## PRICES

Natural Gas	\$5,999	\$7,249	\$5,999	\$7,249
LPG	\$5,999	\$7,249	\$5,999	\$7,249

## SPECIFICATIONS

Width (mm)	762	914	762	914
Height (mm)	102	102	102	102
Depth (mm)	533	533	533	533
Burner – Large (kW)	5.3	5.3	5.3	5.3
Burner – Medium (kW)	3.5	3.5	3.5	3.5
Burner – Small (kW)	(2) 2.7	(3) 2.7	(2) 2.7	(3) 2.7

## FEATURES

Illuminated Controls	•	•		
Choice of Knob Color			•	•
True Simmer Setting	•	•	•	•
Individual Spark Ignition	•	•	•	•
Sealed Burners	•	•	•	•
Flame Recognition	•	•	•	•
Automatic Re-ignition	•	•	•	•
Low-Profile Continuous Grates	•	•	•	•
Seamless Design	•	•	•	•

## TECHNICAL DATA

Voltage	220–240	220–240	220–240	220–240
Electrical Load (amp)	0.2	0.2	0.2	0.2
Frequency (Hz)	50/60	50/60	50/60	50/60

# Coffee Systems

NEW



NEW



NEW



NEW



MODEL	ICBEC2450TE/S	ICBEC3050TE/S	ICBEC3050PE/S	ICBEC3050TM/S
Description	E Series Transitional Coffee System	E Series Transitional Coffee System	E Series Professional Coffee System	M Series Transitional Coffee System

## MODEL / INSTALLATION OPTIONS

Standard	•	•	•	•
Flush Inset	•	•	•	•

## PRICES

Base Price	\$16,495	\$17,999	\$17,999	\$17,999
------------	----------	----------	----------	----------

## SPECIFICATIONS

Width (mm)	597	759	759	759
Height (mm)	454	454	454	454
Depth (mm)	483	483	483	483
Door/Drawer Clearance (mm)	464	464	464	464
Water Tank Capacity (L)	2.5	2.5	2.5	2.5

## FEATURES

Black Glass				
Stainless Steel	•	•	•	•
Drink Modes	17	17	17	17
User Profiles	6	6	6	6
Display Language Selection	EN ES FR IT DE NL ZH	EN ES FR IT DE NL ZH	EN ES FR IT DE NL ZH	EN ES FR IT DE NL ZH
Programmable Start/Stop	•	•	•	•
Hidden Controls				

## TECHNICAL DATA

Voltage	220-240	220-240	220-240	220-240
Electrical Load (kW)	1.35	1.35	1.35	1.35
Frequency (Hz)	50/60	50/60	50/60	50/60

# Coffee Systems

NEW

NEW

NEW



MODEL	ICBEC3050PM/S	ICBEC3050CM/B	ICBEC3050CM/S	ICBCW24/S	ICBCW24/B
Description	M Series Professional Coffee System	M Series Contemporary Coffee System	M Series Contemporary Stainless Steel Coffee System	Cup Warming Drawer	Cup Warming Drawer

## MODEL / INSTALLATION OPTIONS

Standard	•	•	•	•	•
Flush Inset	•	•	•	•	•

## PRICES

Base Price	\$17,999	\$17,999	\$17,999	\$3,059	\$3,059
------------	----------	----------	----------	---------	---------

## SPECIFICATIONS

Width (mm)	759	759	759	597	597
Height (mm)	454	454	454	140	140
Depth (mm)	483	483	483	533	533
Door/Drawer Clearance (mm)	464	464	464	483	483
Water Tank Capacity (L)	2.5	2.5	2.5		

## FEATURES

Black Glass		•			
Stainless Steel	•		•	•	•
Drink Modes	17	17	17		
User Profiles	6	6	6		
Display Language Selection	EN ES FR IT DE NL ZH	EN ES FR IT DE NL ZH	EN ES FR IT DE NL ZH		
Programmable Start/Stop	•	•	•	•	•
Hidden Controls				•	•

## TECHNICAL DATA

Voltage	220-240	220-240	220-240	220-240	220-240
Electrical Load (kW)	1.35	1.35	1.35	0.4	0.4
Frequency (Hz)	50/60	50/60	50/60	50/60	50/60

# Induction Ranges



MODEL	ICBIR30450/S/T	ICBIR36550/S/T
Description	Induction Range	Induction Range

## MODEL / INSTALLATION OPTIONS

Island Installation	•	•
---------------------	---	---

## PRICES

Base Price	\$25,999	\$35,999
------------	----------	----------

## SPECIFICATIONS

Width (mm)	759	911
Height (mm)	902	902
Depth (mm)	718	718
Door Clearance (mm)	495	495
Temperature Zones	4	5
Burner - Large (W)	2600 with 3700 boost	2600 with 3700 boost
Burner - Medium (W)	(2) 2100 with 3700 boost	(4) 2100 with 3700 boost
Burner - Small (W)	1400 with 2200 boost	—
Cooktop Max Power Output (W)	7400	11000
Overall Capacity (L)	144	178
Oven Usable Volume (L)	125	155

## FEATURES

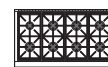
Handle Type	Tubular	Tubular
Digital Touch Controls	•	•
Countdown Timer	•	•
Hot Surface Indicator	•	•
Boil Dry	•	•
Universal Off	•	•
Illuminated Controls	•	•
Safety Lock	•	•
True Simmer Setting	•	•
Melt Setting	•	•
Cooking Modes	11	11
Self-Cleaning (Pyrolytic)	•	•
Temperature Range (°C)	30-290	30-290
Interactive Color Touchscreen	•	•
Display Language Selection	EN FR DE IT ES NL CN	EN FR DE IT ES NL CN
Interior Oven Racks (per oven)	3	3
Temperature Probe	•	•
Hydraulic Door Hinge	•	•
Multifunction Pan	1	1

## TECHNICAL DATA

Voltage	220-240, 380-415	220-240, 380-415
Electrical Load (amp)	50	60
3-Phase (amp)	19	33
Frequency (Hz)	50/60	50/60



# Dual Fuel Ranges



MODEL	ICBDF30450/S/P	ICBDF36650/S/P	ICBDF36450G/S/P	ICBDF48850/S/P
Description	Dual Fuel Range	Dual Fuel Range	Dual Fuel Range	Dual Fuel Range

## MODEL / INSTALLATION OPTIONS

Island Installation	•	•	•	•
---------------------	---	---	---	---

## PRICES

Natural Gas	\$24,495	\$34,495	\$37,999	\$45,999
LPG	\$24,495	\$34,495	\$37,999	\$45,999

## SPECIFICATIONS

Width (mm)	759	911	911	1216
Height (mm)	927	927	927	927
Depth (mm)	749	749	749	749
Door Clearance (mm)	495	495	495	495
Burner – Large (kW)	5.3	5.3	5.3	5.3
Burner – Medium (kW)	(2) 4.5	(4) 4.5	(2) 4.5	(6) 4.5
Burner – Small (kW)	2.7	2.7	2.7	2.7
Infrared Grill (Charbroiler) (kW)				
Infrared Teppanyaki (Griddle) (kW)			4.5	
Overall Capacity (L)	144	178	178	144 / 76*
Oven Usable Volume (L)	125	155	155	125 / 65*

## FEATURES

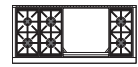
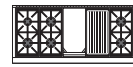
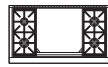
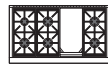
Handle Type	Pro	Pro	Pro	Pro
Hidden Control Panel	•	•	•	•
Interactive Color Touchscreen	•	•	•	•
Display Language Selection	EN FR DE IT ES NL CN	EN FR DE IT ES NL CN	EN FR DE IT ES NL CN	EN FR DE IT ES NL CN
Cooking Modes	11	11	11	11 / 10*
Self-Cleaning (Pyrolytic)	•	•	•	•
Temperature Range (°C)	30-290	30-290	30-290	30-290
Choice of Knob Color	•	•	•	•
Interior Oven Racks (per oven)	3	3	3	3
Temperature Probe	•	•	•	•
Hydraulic Door Hinge	•	•	•	•
Multifunction Pan	1	1	1	1
Dual-Stacked, Sealed Burners	•	•	•	•
True Simmer Setting	•	•	•	•
Individual Spark Ignition	•	•	•	•
Flame Recognition	•	•	•	•
Automatic Re-Ignition	•	•	•	•
Low-Profile Continuous Grates	•	•	•	•
Steel Grill / Teppanyaki Cover			•	
Island Trim	•	•	•	•

## TECHNICAL DATA

Voltage	220-240, 380-415	220-240, 380-415	220-240, 380-415	220-240, 380-415
Electrical Load (amp)	19	19	19	35
3-Phase (amp)	18	18	18	18
Frequency (Hz)	50/60	50/60	50/60	50/60

\*Oven 2.

# Dual Fuel Ranges



MODEL	ICBDF48650G/S/P	ICBDF48450DG/S/P	ICBDF48450CG/S/P	ICBDF60650CG/S/P	ICBDF60650DG/S/P
Description	Dual Fuel Range	Dual Fuel Range	Dual Fuel Range	Dual Fuel Range	Dual Fuel Range

## MODEL / INSTALLATION OPTIONS

Island Installation	•	•	•	•	•
---------------------	---	---	---	---	---

## PRICES

Natural Gas	\$48,999	\$51,495	\$51,495	\$63,495	\$63,495
LPG	\$48,999	\$51,495	\$51,495	\$63,495	\$63,495

## SPECIFICATIONS

Width (mm)	1216	1216	1216	1521	1521
Height (mm)	927	927	927	927	927
Depth (mm)	749	749	749	749	749
Door Clearance (mm)	495	495	495	495	495
Burner – Large (kW)	5.3	5.3	5.3	5.3	5.3
Burner – Medium (kW)	(4) 4.5	(2) 4.5	(2) 4.5	(4) 4.5	(4) 4.5
Burner – Small (kW)	2.7	2.7	2.7	2.7	2.7
Infrared Grill (Charbroiler) (kW)			4.5	4.5	
Infrared Teppanyaki (Griddle) (kW)	4.5	4.5	4.5	4.5	4.5
Overall Capacity (L)	144 / 76*	144 / 76*	144 / 76*	144 / 144*	144 / 144*
Oven Usable Volume (L)	125 / 65*	125 / 65*	125 / 65*	125 / 125*	125 / 125*

## FEATURES

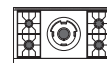
Handle Type	Pro	Pro	Pro	Pro	Pro
Hidden Control Panel	•	•	•	•	•
Interactive Color Touchscreen	•	•	•	•	•
Display Language Selection	EN FR DE IT ES NL CN	EN FR DE IT ES NL CN	EN FR DE IT ES NL CN	EN FR DE IT ES NL CN	EN FR DE IT ES NL CN
Cooking Modes	11 / 10*	11 / 10*	11 / 10*	11 / 11*	11 / 11*
Self-Cleaning (Pyrolytic)	•	•	•	•	•
Temperature Range (°C)	30-290	30-290	30-290	30-290	30-290
Choice of Knob Color	•	•	•	•	•
Interior Oven Racks (per oven)	3	3	3	3	3
Temperature Probe	•	•	•	•	•
Hydraulic Door Hinge	•	•	•	•	•
Multifunction Pan	1	1	1	1	1
Dual-Stacked, Sealed Burners	•	•	•	•	•
True Simmer Setting	•	•	•	•	•
Individual Spark Ignition	•	•	•	•	•
Flame Recognition	•	•	•	•	•
Automatic Re-Ignition	•	•	•	•	•
Low-Profile Continuous Grates	•	•	•	•	•
Steel Grill / Teppanyaki Cover	•	•	•	•	•
Island Trim	•	•	•	•	•

## TECHNICAL DATA

Voltage	220-240, 380-415	220-240, 380-415	220-240, 380-415	220-240, 380-415	220-240, 380-415
Electrical Load (amp)	35	35	35	38	38
3-Phase (amp)	18	18	18	18	18
Frequency (Hz)	50/60	50/60	50/60	50/60	50/60

\*Oven 2.

# Sealed Burner Rangetops



MODEL	ICBRT364G	ICBRT362W	ICBRT486G	ICBRT484CG	ICBRT484W
Description	Sealed Rangetop	Sealed Rangetop	Sealed Rangetop	Sealed Rangetop	Sealed Rangetop

## MODEL / INSTALLATION OPTIONS

Island Installation	•	•	•	•	•
Installation with Downdraft	•				

## PRICES

Natural Gas	\$15,299	\$17,299	\$16,495	\$18,495	\$15,299
LPG	\$15,299	\$17,299	\$16,495	\$18,495	\$15,299

## SPECIFICATIONS

Width (mm)	911	911	1216	1216	1216
Height (mm)	216	254	216	216	254
Depth (mm)	724	724	724	724	724
Burner – Large (kW)	(3) 4.6	4.6	(5) 4.6	(3) 4.6	(3) 4.6
Burner – Small (kW)	2.8	2.8	2.8	2.8	2.8
Infrared Grill (Charbroiler) (kW)				5.8 / 5.3*	
Infrared Teppanyaki (Griddle) (kW)	5.5 / 4.7*		5.5 / 4.7*	5.5 / 4.7*	
Wok Burner (kW)		10.3			10.3

## FEATURES

Choice of Knob Color	•	•	•	•	•
Dual-Stacked, Sealed Burners	•	•	•	•	•
True Simmer Setting	•	•	•	•	•
Individual Spark Ignition	•	•	•	•	•
Flame Recognition	•	•	•	•	•
Automatic Re-ignition	•	•	•	•	•
Low-Profile Continuous Grates	•	•	•	•	•
Steel Grill / Teppanyaki Cover	•		•	•	
Island Trim	•	•	•	•	•

## TECHNICAL DATA

Voltage	220–240	220–240	220–240	220–240	220–240
Electrical Load (amp)	0.17	0.17	0.17	0.17	0.17
Frequency (Hz)	50/60	50/60	50/60	50/60	50/60

\*LP gas.

# Outdoor Gas Grills and Modules



MODEL	ICBOG30	ICBOG36	ICBOG42	ICBOG54	ICBBM13	ICBSB13
Description	Outdoor Grill	Outdoor Grill	Outdoor Grill	Outdoor Grill	Burner Module	Side Burner

## MODEL / INSTALLATION OPTIONS

Built-in	•	•	•	•	•	
Cart	•	•	•			•

## PRICES

Natural Gas	\$14,299	\$17,495	\$19,499	\$23,999	\$4,725	\$4,699
LPG	\$14,299	\$17,495	\$19,499	\$23,999	\$4,725	\$4,699

## SPECIFICATIONS

Width (mm)	762	914	1067	1372	330	330
Height (mm)	686	686	686	686	273	273
Depth (mm)	762	762	762	762	762	762
Burner (kW)	7.3	(2) 7.3	(3) 7.3	(4) 7.5	7.2	7.2
Sear (kW)		7.3	7.3	7.5		
Rotisserie (kW)	4.1	4.1	4.7	4.1		

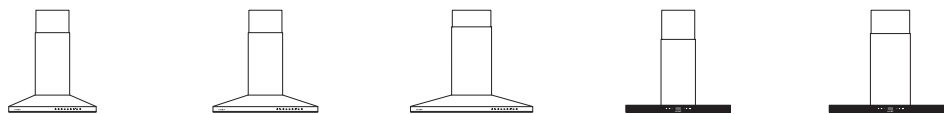
## FEATURES

Rotisserie System	•	•	•	•		
Smoker Box	•	•	•	•		
Illuminated Controls	•	•	•	•	•	•
Choice of knob color	•	•	•	•	•	•
Electric Ignition	•	•	•	•	•	•
Halogen lights	•	•	•	•		
Warming Rack	•	•	•	•		
Stainless Steel Grates	•	•	•	•	•	•
Drip Tray	•	•	•	•		
Easy open lid	•	•	•	•		

## TECHNICAL DATA

Voltage	220-40	220-240	220-240	220-240	220-240	220-240
Electrical Load (amp)	1	1	1	1	1	1
Frequency (Hz)	50/60	50/60	50/60	50/60	50/60	50/60

# Cooktop Ventilation



MODEL	ICBVW30S	ICBVW36S	ICBVI42S	ICBVW36B	ICBVI42B
Description	Wall Hood Stainless Steel	Wall Hood Stainless Steel	Island Hood Stainless Steel	Wall Hood Black	Island Hood Black

## MODEL / INSTALLATION OPTIONS

Wall Installation	•	•		•	
Island Installation			•		•
Usable with all Wolf Cooktops	•*	•*	•*	•	•
Recirculation	•	•	•	•	•
Internal Blower	•	•	•	•	•
Remote Blower	•	•	•	•	•

\*Can be installed with rangetop model ICBVRT364G.

## PRICES

Base Price (excludes blower)	\$4,599	\$4,699	\$7,899	\$4,999	\$7,999
------------------------------	---------	---------	---------	---------	---------

## SPECIFICATIONS

Width (mm)	762	914	1067	914	1067
Body Height (mm)	152	152	133	57	57
Telescopic Flue Height (mm)	883–1153	883–1153	753–953	797–1054	648–870
Depth (mm)	559	559	673	489	673
Round Duct Diameter (mm)	152	152	152	152	152
Discharge	Vertical	Vertical	Vertical	Vertical	Vertical

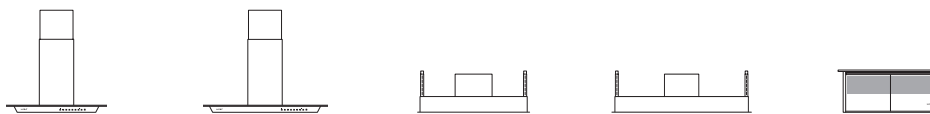
## FEATURES

Digital Touch Controls	•	•	•	•	•
Heat Sentry	•	•	•	•	•
Halogen Lighting	•	•	•	•	•
Filter Clean Indicator	•	•	•	•	•
Delayed Off Function	•	•	•	•	•
Dishwasher Safe Mesh Filters	•	•	•	•	•

## TECHNICAL DATA

Voltage	220–240	220–240	220–240	220–240	220–240
Electrical Load (kW)	0.4	0.4	0.4	0.4	0.4
Frequency (Hz)	50/60	50/60	50/60	50/60	50/60

# Cooktop Ventilation



MODEL	ICBVW36G	ICBVW45G	ICBVC36S	ICBVC48S	ICBDD36
Description	Wall Hood Glass	Wall Hood Glass	Ceiling Mounted Hood Stainless Steel	Ceiling Mounted Hood Stainless Steel	Downdraft

## MODEL / INSTALLATION OPTIONS

Wall Installation	•	•			•
Island Installation			•	•	•
Usable with all Wolf Cooktops	•	•	•	•	
Recirculation	•	•	•	•	•
Internal Blower	•	•	•	•	•
Remote Blower	•	•	•	•	•

## PRICES

Base Price (excludes blower)	\$4,899	\$5,499	\$5,799	\$6,495	\$5,999
------------------------------	---------	---------	---------	---------	---------

## SPECIFICATIONS

Width (mm)	914	1143	914	1219	914
Body Height (mm)	57	57	311	311	356
Telescopic Flue Height (mm)	797–1054	797–1054	N/A	N/A	730
Depth (mm)	489	489	533	533	51
Round Duct Diameter (mm)	152	152	152	152	152 / 254
Discharge	Vertical	Vertical	Horizontal (Internal Blower) Vertical (Remote Blower)	Horizontal (Internal Blower) Vertical (Remote Blower)	Adjustable

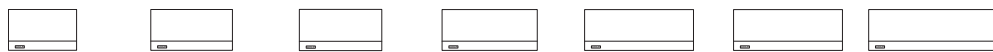
## FEATURES

Digital Touch Controls	•	•			
Remote Control			•	•	
Remote Mounted Controls					•
Heat Sentry	•	•			•
Halogen Lighting	•	•			
LED Lighting			•	•	
Filter Clean Indicator	•	•	•	•	•
Delayed Off Function	•	•	•	•	•
Dishwasher Safe Mesh Filters	•	•	•	•	•

## TECHNICAL DATA

Voltage	220–240	220–240	220–240	220–240	220–240
Electrical Load (kW)	0.4	0.4	0.4	0.4	0.4
Frequency (Hz)	50/60	50/60	50/60	50/60	50/60

# Pro Ventilation



MODEL	ICBPW302718	ICBPW362418	ICBPW362718	ICBPW422718	ICBPW482418	ICBPW482718	ICBPW602718
Description	Wall Hood	Wall Hood	Wall Hood	Wall Hood	Wall Hood	Wall Hood	Wall Hood

## MODEL / INSTALLATION OPTIONS

Wall Installation	•	•	•	•	•	•	•
Island Installation							
Usable with all Wolf Products	•	•	•	•	•	•	•
Recirculation	•	•	•	•	•	•	•
Internal Blower	•	•	•	•	•	•	•
Remote Blower	•	•	•	•	•	•	•

## PRICES

Base Price (excludes blower)	\$5,999	\$6,495	\$7,099	\$8,199	\$8,699	\$8,799	\$9,299
------------------------------	---------	---------	---------	---------	---------	---------	---------

## SPECIFICATIONS

Width (mm)	762	914	914	1067	1219	1219	1524
Body Height (mm)	457	457	457	457	457	457	457
Depth (mm)	686	610	686	686	610	686	686
Round Duct Diameter (mm)	254	254	254	254	254	254	254
Discharge	Vertical, Back	Vertical, Back	Vertical, Back	Vertical, Back	Vertical, Back	Vertical, Back	Vertical, Back

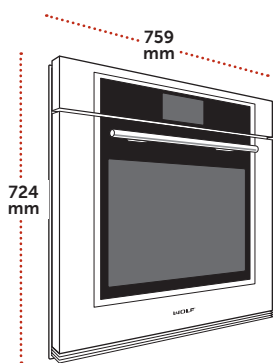
## FEATURES

Recessed Controls	•	•	•	•	•	•	•
Heat Sentry	•	•	•	•	•	•	•
Halogen Lighting	•	•	•	•	•	•	•
Filter Clean Indicator	•	•	•	•	•	•	•
Delayed Off Function	•	•	•	•	•	•	•
Dishwasher Safe Mesh Filters	•	•	•	•	•	•	•

## TECHNICAL DATA

Voltage	220-240	220-240	220-240	220-240	220-240	220-240	220-240
Electrical Load (kW)	1.15	0.5	1.2	1.15	0.5	1.37	1.37
Frequency (Hz)	50/60	50/60	50/60	50/60	50/60	50/60	50/60

# M Series Ovens



## 76cm M Series Transitional Built-In Single Oven

MODEL	COST
ICBSO30TM/S/TH	\$17,495

### SPECIFICATIONS

Overall Dimensions	759 mm W x 724 mm H x 584 mm D
Shipping Weight	124 kg

### FEATURES

- Stainless steel
- Standard or flush inset installation
- 19 mm tubular handle
- Dual convection
- 10 cooking modes
- Interactive color touchscreen
- 1 standard and 2 full-extension ball bearing racks
- Multifunction pan
- Temperature probe

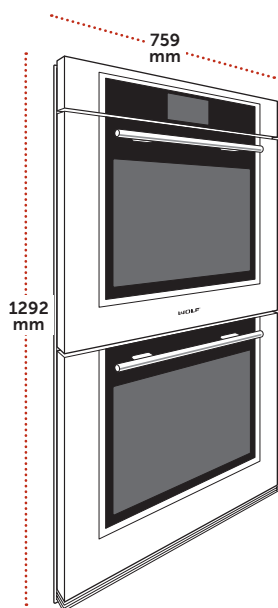
## Accessories

DESCRIPTION	NUMBER	COST
<b>Oven Racks</b>		
Full-Ext Ball Bearing Rack	9030652	\$525
Standard Oven Rack	823256	\$265
Standard Oven Rack Set (3)	823257	\$660
Dehydration Rack Set (2)	823247	\$690
762 mm Baking Sheet	823269	\$235
Temperature Probe	823261	\$235
Grill Pan	819377	\$205
Multifunction Pan/Rack	823266	\$735
Bake Stone Kit	823244	\$735
Dual Installation Kit*	826001	N/C

\*Dual installation kit required for side by side installations.



# M Series Ovens



## 76cm M Series Transitional Built-In Double Oven

MODEL	COST
ICBDO30TM/S/TH	\$25,999

### SPECIFICATIONS

Overall Dimensions	759 mm W x 1292 mm H x 584 mm D
Shipping Weight	211 kg

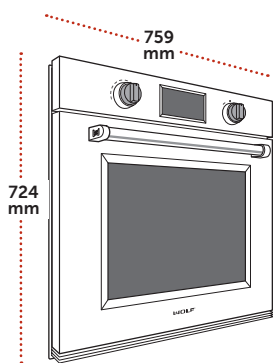
### FEATURES

- Stainless steel
- Standard or flush inset installation
- 19 mm tubular handles
- Dual convection
- 10 cooking modes
- Interactive color touchscreen
- 1 standard and 2 full-extension ball bearing racks (per oven)
- Multifunction pan
- Temperature probe

## Accessories

DESCRIPTION	NUMBER	COST
<b>Oven Racks</b>		
Full-Ext Ball Bearing Rack	9030652	\$525
Standard Oven Rack	823256	\$265
Standard Oven Rack Set (3)	823257	\$660
Dehydration Rack Set (2)	823247	\$690
762 mm Baking Sheet	823269	\$235
Temperature Probe	823261	\$235
Grill Pan	819377	\$205
Multifunction Pan/Rack	823266	\$735
Bake Stone Kit	823244	\$735

# M Series Ovens



## 76cm M Series Professional Built-In Single Oven

MODEL	COST
ICBSO30PM/S/PH	\$18,999

### SPECIFICATIONS

Overall Dimensions	759 mm W x 724 mm H x 584 mm D
Shipping Weight	124 kg

### FEATURES

- Stainless steel
- Standard or flush inset installation
- Pro handle
- Dual convection
- 10 cooking modes
- Interactive color touchscreen
- 1 standard and 2 full-extension ball bearing racks
- Multifunction pan
- Temperature probe

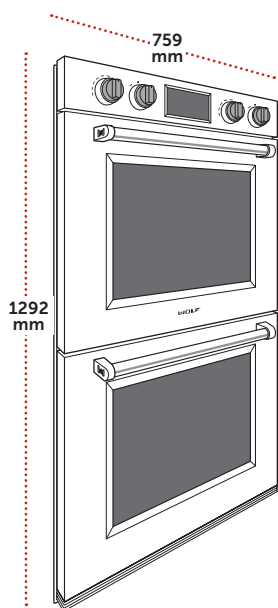
## Accessories

DESCRIPTION	NUMBER	COST
<b>Oven Racks</b>		
Full-Ext Ball Bearing Rack	9030652	\$525
Standard Oven Rack	823256	\$265
Standard Oven Rack Set (3)	823257	\$660
Dehydration Rack Set (2)	823247	\$690
<b>Knobs</b>		
Stainless Steel	823272	\$180
Stainless Steel*	823275	N/C
Red	823273	\$145
Black	823271	\$145
Black*	823274	N/C
762 mm Baking Sheet	823269	\$235
Temperature Probe	823261	\$235
Grill Pan	819377	\$205
Multifunction Pan/Rack	823266	\$735
Bake Stone Kit	823244	\$735
Dual Installation Kit**	826001	N/C

\*Unit ships with red knobs. One set at no charge with product purchase.

\*\*Dual installation kit required for side by side installations.

# M Series Ovens



## 76cm M Series Professional Built-In Double Oven

MODEL	COST
ICBDO30PM/S/PH	\$27,999

### SPECIFICATIONS

Overall Dimensions	759 mm W x 1292 mm H x 584 mm D
Shipping Weight	211 kg

### FEATURES

- Stainless steel
- Standard or flush inset installation
- Pro handles
- Dual convection
- 10 cooking modes
- Interactive color touchscreen
- 1 standard and 2 full-extension ball bearing racks (per oven)
- Multifunction pan
- Temperature probe

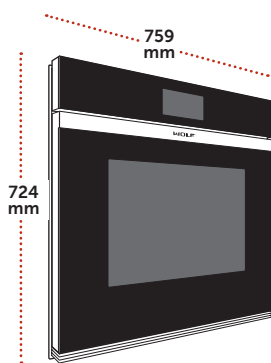
## Accessories

DESCRIPTION	NUMBER	COST
<b>Oven Racks</b>		
Full-Ext Ball Bearing Rack	9030652	\$525
Standard Oven Rack	823256	\$265
Standard Oven Rack Set (3)	823257	\$660
Dehydration Rack Set (2)	823247	\$690
<b>Knobs</b>		
Stainless Steel**	823272	\$180
Stainless Steel*	823275	N/C
Red**	823273	\$145
Black**	823271	\$145
Black*	823274	N/C
762 mm Baking Sheet	823269	\$235
Temperature Probe	823261	\$235
Grill Pan	819377	\$205
Multifunction Pan/Rack	823266	\$735
Bake Stone Kit	823244	\$735

\*Unit ships with red knobs. One set at no charge with product purchase. Must order quantity two.

\*\*Must order quantity two.

# M Series Ovens



## 76cm M Series Contemporary Built-In Single Oven

MODEL	COST
ICBSO30CM/B	\$27,499

### SPECIFICATIONS

Overall Dimensions	759 mm W x 724 mm H x 584 mm D
Shipping Weight	124 kg

### FEATURES

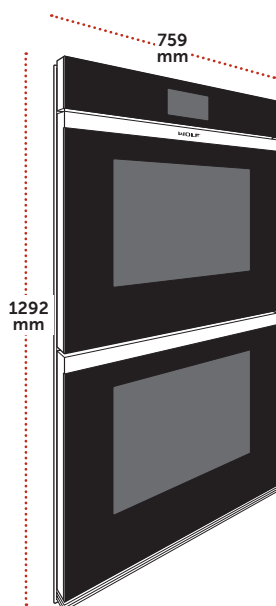
- Handleless black glass
- Standard or flush inset installation
- Dual convection
- 10 cooking modes
- Interactive color touchscreen
- 1 standard and 2 full-extension ball bearing racks
- Multifunction pan
- Temperature probe

## Accessories

DESCRIPTION	NUMBER	COST
<b>Oven Racks</b>		
Full-Ext Ball Bearing Rack	9030652	\$525
Standard Oven Rack	823256	\$265
Standard Oven Rack Set (3)	823257	\$660
Dehydration Rack Set (2)	823247	\$690
762 mm Baking Sheet	823269	\$235
Temperature Probe	823261	\$235
Grill Pan	819377	\$205
Multifunction Pan/Rack	823266	\$735
Bake Stone Kit	823244	\$735
Dual Installation Kit*	826001	N/C

\*Dual installation kit required for side by side installations.

## M Series Ovens



### 76cm M Series Contemporary Built-In Double Oven

MODEL	COST
ICBDO30CM/B	\$26,495

#### SPECIFICATIONS

Overall Dimensions	759 mm W x 1292 mm H x 584 mm D
Shipping Weight	211 kg

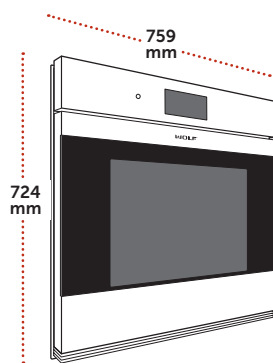
#### FEATURES

- Handleless black glass
- Standard or flush inset installation
- Dual convection
- 10 cooking modes
- Interactive color touchscreen
- 1 standard and 2 full-extension ball bearing racks (per oven)
- Multifunction pan
- Temperature probe

### Accessories

DESCRIPTION	NUMBER	COST
<b>Oven Racks</b>		
Full-Ext Ball Bearing Rack	9030652	\$525
Standard Oven Rack	823256	\$265
Standard Oven Rack Set (3)	823257	\$660
Dehydration Rack Set (2)	823247	\$690
762 mm Baking Sheet	823269	\$235
Temperature Probe	823261	\$235
Grill Pan	819377	\$205
Multifunction Pan/Rack	823266	\$735
Bake Stone Kit	823244	\$735

## M Series Ovens



### 76 cm M Series Contemporary Stainless Steel Single Oven

MODEL	COST
ICBSO30CM/S	\$18,999

#### SPECIFICATIONS

Overall Dimensions	759 mm W x 724 mm H x 584 mm D
Shipping Weight	124 kg

#### FEATURES

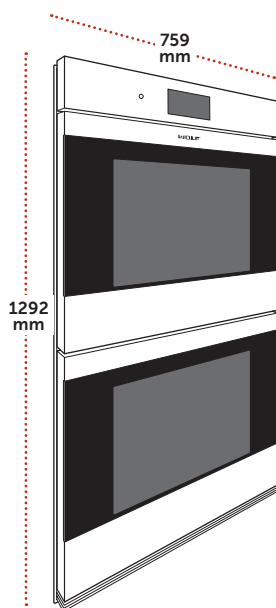
- Handleless stainless steel
- Standard or flush inset installation
- Dual convection
- 10 cooking modes
- Interactive color touchscreen
- 1 standard and 2 full-extension ball bearing racks
- Multifunction pan
- Temperature probe

### Accessories

DESCRIPTION	NUMBER	COST
<b>Oven Racks</b>		
Full-Ext Ball Bearing Rack	9030652	\$525
Standard Oven Rack	823256	\$265
Standard Oven Rack Set (3)	823257	\$660
Dehydration Rack Set (2)	823247	\$690
762 mm Baking Sheet	823269	\$235
Temperature Probe	823261	\$235
Grill Pan	819377	\$205
Multifunction Pan/Rack	823266	\$735
Bake Stone Kit	823244	\$735
Dual Installation Kit*	826001	N/C

\*Dual installation kit required for side by side installations.

# M Series Ovens



## 76cm M Series Contemporary Built-In Double Oven

MODEL	COST
ICBDO30CM/S	\$24,999

### SPECIFICATIONS

Overall Dimensions	759 mm W x 1292 mm H x 584 mm D
Shipping Weight	211 kg

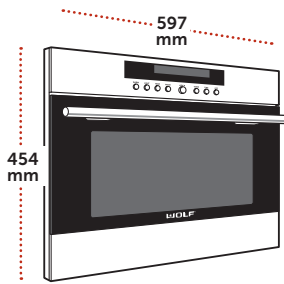
### FEATURES

- Handleless stainless steel
- Standard or flush inset installation
- Dual convection
- 10 cooking modes
- Interactive color touchscreen
- 1 standard and 2 full-extension ball bearing racks (per oven)
- Multifunction pan
- Temperature probe

## Accessories

DESCRIPTION	NUMBER	COST
<b>Oven Racks</b>		
Full-Ext Ball Bearing Rack	9030652	\$525
Standard Oven Rack	823256	\$265
Standard Oven Rack Set (3)	823257	\$660
Dehydration Rack Set (2)	823247	\$690
762 mm Baking Sheet	823269	\$235
Temperature Probe	823261	\$235
Grill Pan	819377	\$205
Multifunction Pan/Rack	823266	\$735
Bake Stone Kit	823244	\$735

# E Series Ovens



## 60cm E Series Transitional Built-In Single Oven

MODEL	COST
ICBSO2418TE/S/TH	\$7,699

### SPECIFICATIONS

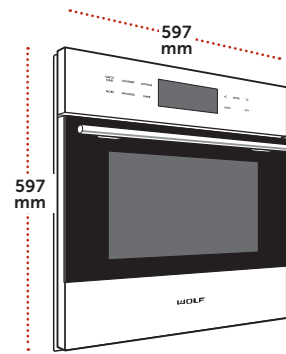
Overall Dimensions	597 mm W x 454 mm H x 546 mm D
--------------------	--------------------------------

### FEATURES

- Stainless steel
- Standard or flush inset installation
- Tubular handle
- Convection fan
- 11 cooking modes
- Self-clean
- 1 standard rack and 1 versatile porcelain-coated pan
- Temperature probe

## Accessories

DESCRIPTION	NUMBER	COST
<b>Solid Pan</b>		
324 x 38 x 178 mm	820016	\$410
324 x 32 x 356 mm	827037	\$495
451 x 32 x 381 mm	821210	\$550
Porcelain Baking Sheet	821228	\$410
Standard Oven Rack	826855	\$495
<b>Handle</b>		
Pro Handle	826668	\$580



## 60cm E Series Transitional Built-In Single Oven

MODEL	COST
ICBSO24TE/S/TH	\$7,699

### SPECIFICATIONS

Overall Dimensions	597 mm W x 597 mm H x 546 mm D
--------------------	--------------------------------

### FEATURES

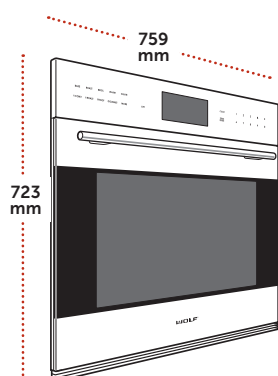
- Stainless steel
- Standard or flush inset installation
- Tubular handle
- Convection fan
- 11 cooking modes
- Self-clean
- 1 standard rack and 1 versatile porcelain-coated pan
- Temperature probe

## Accessories

DESCRIPTION	NUMBER	COST
<b>Solid Pan</b>		
324 x 38 x 178 mm	820016	\$410
324 x 32 x 356 mm	827037	\$495
451 x 32 x 381 mm	821210	\$550
Porcelain Baking Sheet	821228	\$410
Standard Oven Rack	826855	\$495
Full-Extension Rack Guides	826628	\$2,595
Temperature Probe	820867	\$235
<b>Handle</b>		
Pro Handle	826668	\$580
<b>Edge Trim Kit</b>		
610 mm Black	829158	\$605



## E Series Ovens



### 76cm E Series Transitional Built-In Single Oven

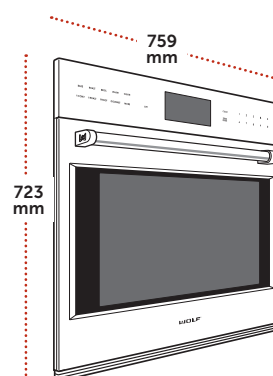
MODEL	COST
ICBSO3050TE/S/T	\$14,990

#### SPECIFICATIONS

Overall Dimensions	759 mm W x 723 mm H x 584 mm D
Shipping Weight	117 kg

#### FEATURES

- Stainless steel
- Standard or flush inset installation
- 19 mm tubular handle
- Dual convection with 10 cooking modes including Gourmet
- Large full-color touchscreen and stainless touch controls
- 1 standard and 2 full-extension ball bearing racks
- Temperature probe
- Multifunction pan and rack



### 76cm E Series Professional Built-In Single Oven

MODEL	COST
ICBSO3050PE/S/P	\$14,990

#### SPECIFICATIONS

Overall Dimensions	759 mm W x 723 mm H x 584 mm D
Shipping Weight	117 kg

#### FEATURES

- Stainless steel
- Standard or flush inset installation
- Pro handle
- Dual convection with 10 cooking modes including Gourmet
- Large full-color touchscreen and stainless touch controls
- 1 standard and 2 full-extension ball bearing racks
- Temperature probe
- Multifunction pan and rack

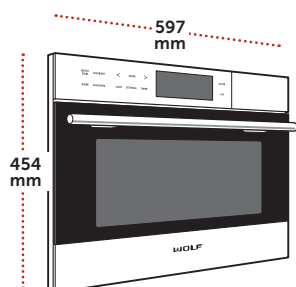
### Accessories

DESCRIPTION	NUMBER	COST
<b>Oven Racks</b>		
Full-Ext Ball Bearing Rack	829241	\$555
Standard Oven Rack	829240	\$265
Dehydration Rack Set (2)	823247	\$690
762 mm Baking Sheet	823269	\$235
Multifunction Pan/Rack	829265	\$735
Temperature Probe	823261	\$235
Grill Pan	819377	\$205
Bake Stone Kit	9016697	\$695

### Accessories

DESCRIPTION	NUMBER	COST
<b>Oven Racks</b>		
Full-Ext Ball Bearing Rack	829241	\$555
Standard Oven Rack	829240	\$265
Dehydration Rack Set (2)	823247	\$690
762 mm Baking Sheet	823269	\$235
Multifunction Pan/Rack	829265	\$735
Temperature Probe	823261	\$235
Grill Pan	819377	\$205
Bake Stone Kit	9016697	\$695

## Convection Steam Ovens



### 60cm E Series Transitional Convection Steam Oven

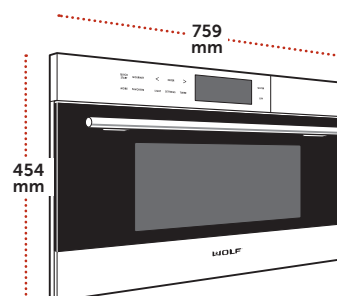
MODEL	COST
ICBCSO24TE/S/TH	\$13,990

#### SPECIFICATIONS

Overall Dimensions	597 mm W x 454 mm H x 546 mm D
Shipping Weight	36 kg

#### FEATURES

- Stainless steel
- Standard or flush inset installation
- 19 mm tubular handle
- Convection with 13 cooking modes
- 2 wire oven racks
- 1 perforated and 1 solid 451 x 25 x 381 mm pan
- Temperature probe



### 76cm E Series Transitional Convection Steam Oven

MODEL	COST
ICBCSO30TE/S/TH	\$14,990

#### SPECIFICATIONS

Overall Dimensions	759 mm W x 454 mm H x 546 mm D
Shipping Weight	36 kg

#### FEATURES

- Stainless steel
- Standard or flush inset installation
- 19 mm tubular handle
- Convection with 13 cooking modes
- 2 wire oven racks
- 1 perforated and 1 solid 451 x 25 x 381 mm pan
- Temperature probe

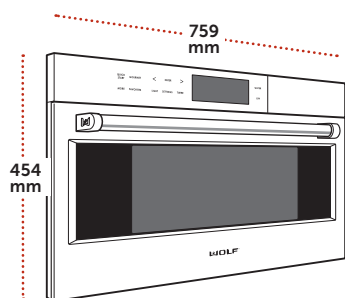
### Accessories

DESCRIPTION	NUMBER	COST
<b>Perforated Pan</b>		
324 x 38 x 178 mm	819999	\$490
324 x 64 x 178 mm	820018	\$580
451 x 32 x 381 mm	821212	\$660
<b>Solid Pan</b>		
324 x 38 x 178 mm	820016	\$410
324 x 32 x 356 mm	827037	\$495
451 x 32 x 381 mm	821210	\$550
Porcelain Baking Sheet	821228	\$410
Oven Rack	821218	\$490
Full-Extension Rack Guides	821718	\$1,530
Descaling Solution (10)	823403	\$1,360
<b>Handle</b>		
Pro Handle	826668	\$580
<b>Edge Trim Kit</b>		
610 mm Black	829156	\$605

### Accessories

DESCRIPTION	NUMBER	COST
<b>Perforated Pan</b>		
324 x 38 x 178 mm	819999	\$490
324 x 64 x 178 mm	820018	\$580
451 x 32 x 381 mm	821212	\$660
<b>Solid Pan</b>		
324 x 38 x 178 mm	820016	\$410
324 x 32 x 356 mm	827037	\$495
451 x 32 x 381 mm	821210	\$550
Porcelain Baking Sheet	821228	\$410
Oven Rack	821218	\$490
Full-Extension Rack Guides	821718	\$1,530
Descaling Solution (10)	823403	\$1,360

# Convection Steam Ovens



## 76cm E Series Professional Convection Steam Oven

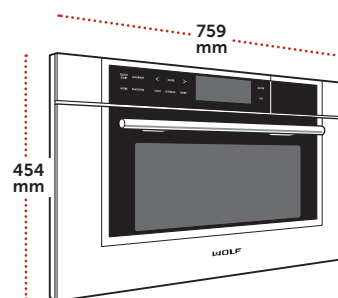
MODEL	COST
ICBCSO30PE/S/PH	\$14,990

SPECIFICATIONS	
Overall Dimensions	759 mm W x 454 mm H x 546 mm D
Shipping Weight	36 kg

- FEATURES**
- Stainless steel
  - Standard or flush inset installation
  - Pro handle
  - Convection with 13 cooking modes
  - 2 wire oven racks
  - 1 perforated and 1 solid 451 x 25 x 381 mm pan
  - Temperature probe

### Accessories

DESCRIPTION	NUMBER	COST
<b>Perforated Pan</b>		
324 x 38 x 178 mm	819999	\$490
324 x 64 x 178 mm	820018	\$580
451 x 32 x 381 mm	821212	\$660
<b>Solid Pan</b>		
324 x 38 x 178 mm	820016	\$410
324 x 32 x 356 mm	827037	\$495
451 x 32 x 381 mm	821210	\$550
Porcelain Baking Sheet	821228	\$410
Oven Rack	821218	\$490
Full-Extension Rack Guides	821718	\$1,530
Descaling Solution (10)	823403	\$1,360



## 76cm M Series Transitional Convection Steam Oven

MODEL	COST
ICBCSO30TM/S/TH	\$16,999

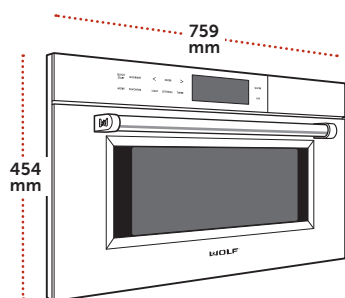
SPECIFICATIONS	
Overall Dimensions	759 mm W x 454 mm H x 546 mm D
Shipping Weight	36 kg

- FEATURES**
- Stainless steel
  - Standard or flush inset installation
  - 19 mm tubular handle
  - Convection with 13 cooking modes
  - 2 wire oven racks
  - 1 perforated and 1 solid 451 x 25 x 381 mm pan
  - Temperature probe

### Accessories

DESCRIPTION	NUMBER	COST
<b>Perforated Pan</b>		
324 x 38 x 178 mm	819999	\$490
324 x 64 x 178 mm	820018	\$580
451 x 32 x 381 mm	821212	\$660
<b>Solid Pan</b>		
324 x 38 x 178 mm	820016	\$410
324 x 32 x 356 mm	827037	\$495
451 x 32 x 381 mm	821210	\$550
Porcelain Baking Sheet	821228	\$410
Oven Rack	821218	\$490
Full-Extension Rack Guides	821718	\$1,530
Descaling Solution (10)	823403	\$1,360

# Convection Steam Ovens



## 76cm M Series Professional Convection Steam Oven

MODEL	COST
ICBCSO30PM/S/PH	\$16,999

### SPECIFICATIONS

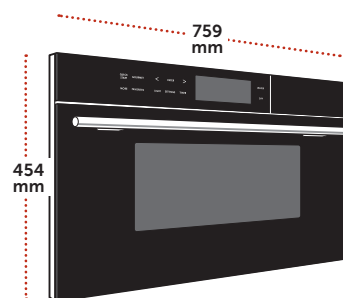
Overall Dimensions	759 mm W x 454 mm H x 546 mm D
Shipping Weight	36 kg

### FEATURES

- Stainless steel
- Standard or flush inset installation
- Pro handle
- Convection with 13 cooking modes
- 2 wire oven racks
- 1 perforated and 1 solid 451 x 25 x 381 mm pan
- Temperature probe

## Accessories

DESCRIPTION	NUMBER	COST
<b>Perforated Pan</b>		
324 x 38 x 178 mm	819999	\$490
324 x 64 x 178 mm	820018	\$580
451 x 32 x 381 mm	821212	\$660
<b>Solid Pan</b>		
324 x 38 x 178 mm	820016	\$410
324 x 32 x 356 mm	827037	\$495
451 x 32 x 381 mm	821210	\$550
Porcelain Baking Sheet	821228	\$410
Oven Rack	821218	\$490
Full-Extension Rack Guides	821718	\$1,530
Descaling Solution (10)	823403	\$1,360



## 76cm M Series Contemporary Convection Steam Oven

MODEL	COST
ICBCSO30CM/B/TH	\$16,999

### SPECIFICATIONS

Overall Dimensions	759 mm W x 454 mm H x 546 mm D
Shipping Weight	36 kg

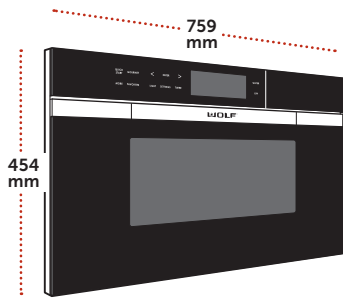
### FEATURES

- Black glass
- Standard or flush inset installation
- 19 mm tubular handle
- Convection with 13 cooking modes
- 2 wire oven racks
- 1 perforated and 1 solid 451 x 25 x 381 mm pan
- Temperature probe

## Accessories

DESCRIPTION	NUMBER	COST
<b>Perforated Pan</b>		
324 x 38 x 178 mm	819999	\$490
324 x 64 x 178 mm	820018	\$580
451 x 32 x 381 mm	821212	\$660
<b>Solid Pan</b>		
324 x 38 x 178 mm	820016	\$410
324 x 32 x 356 mm	827037	\$495
451 x 32 x 381 mm	821210	\$550
Porcelain Baking Sheet	821228	\$410
Oven Rack	821218	\$490
Full-Extension Rack Guides	821718	\$1,530
Descaling Solution (10)	823403	\$1,360

# Convection Steam Ovens



## 76cm M Series Contemporary Convection Steam Oven with Retractable Handle

MODEL	COST
ICBCSO30CM/B	\$16,999

### SPECIFICATIONS

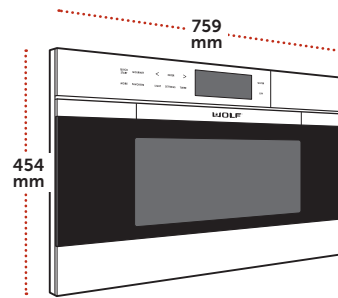
Overall Dimensions	759 mm W x 454 mm H x 546 mm D
Shipping Weight	80 lbs (36 kg)

### FEATURES

- Black glass
- Standard or flush inset installation
- Retractable handle
- Convection with 13 cooking modes
- 2 wire oven racks
- 1 perforated and 1 solid 451 x 25 x 381 mm pan
- Temperature probe

## Accessories

DESCRIPTION	NUMBER	COST
<b>Perforated Pan</b>		
324 x 38 x 178 mm	819999	\$490
324 x 64 x 178 mm	820018	\$580
451 x 32 x 381 mm	821212	\$660
<b>Solid Pan</b>		
324 x 38 x 178 mm	820016	\$410
324 x 32 x 356 mm	827037	\$495
451 x 32 x 381 mm	821210	\$550
Porcelain Baking Sheet	821228	\$410
Oven Rack	821218	\$490
Full-Extension Rack Guides	821718	\$1,530
Descaling Solution (10)	823403	\$1,360



## 76cm M Series Contemporary Convection Steam Oven with Retractable Handle

MODEL	COST
ICBCSO30CM/S	\$16,999

### SPECIFICATIONS

Overall Dimensions	759 mm W x 454 mm H x 546 mm D
Shipping Weight	80 lbs (36 kg)

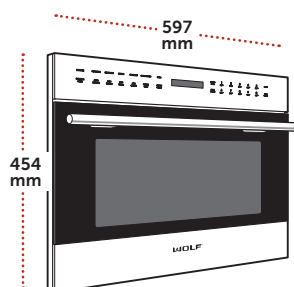
### FEATURES

- Stainless steel
- Standard or flush inset installation
- Retractable handle
- Convection with 13 cooking modes
- 2 wire oven racks
- 1 perforated and 1 solid 451 x 25 x 381 mm pan
- Temperature probe

## Accessories

DESCRIPTION	NUMBER	COST
<b>Perforated Pan</b>		
324 x 38 x 178 mm	819999	\$490
324 x 64 x 178 mm	820018	\$580
451 x 32 x 381 mm	821212	\$660
<b>Solid Pan</b>		
324 x 38 x 178 mm	820016	\$410
324 x 32 x 356 mm	827037	\$495
451 x 32 x 381 mm	821210	\$550
Porcelain Baking Sheet	821228	\$410
Oven Rack	821218	\$490
Full-Extension Rack Guides	821718	\$1,530
Descaling Solution (10)	823403	\$1,360

## Convection Speed Ovens



### 60cm E Series Transitional Speed Oven

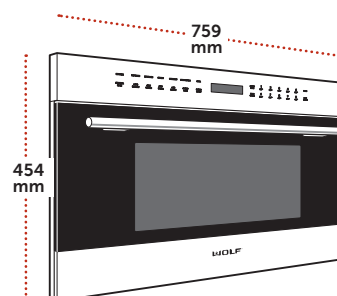
MODEL	COST
ICBSPO24TE/S/TH	\$6,495

#### SPECIFICATIONS

Overall Dimensions	597 mm W x 454 mm H x 546 mm D
Shipping Weight	48 kg

#### FEATURES

- Stainless steel interior
- Dual grill 750 W (1500 W total)
- LED lit interior
- Convection
- Standard or flush inset installation
- Designed to match Wolf ovens



### 76cm E Series Transitional Speed Oven

MODEL	COST
ICBSPO30TE/S/TH	\$10,495

#### SPECIFICATIONS

Overall Dimensions	759 mm W x 454 mm H x 546 mm D
Shipping Weight	48 kg

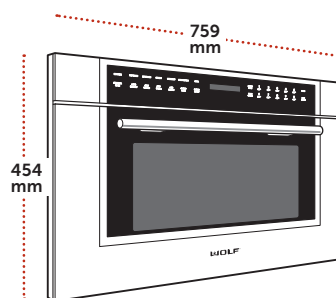
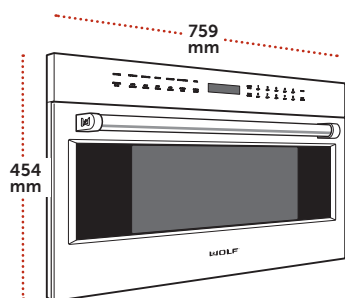
#### FEATURES

- Stainless steel interior
- Dual grill 750 W (1500 W total)
- LED lit interior
- Convection
- Standard or flush inset installation
- Designed to match Wolf ovens

## Accessories

DESCRIPTION	NUMBER	COST
<b>Handle</b>		
Pro Handle	826668	\$580
<b>Edge Trim Kit</b>		
610 mm Black	827256	\$180

# Convection Speed Ovens



## 76cm E Series Professional Speed Oven

MODEL	COST
ICBSPO30PE/S/PH	\$7,299

SPECIFICATIONS	
Overall Dimensions	759 mm W x 454 mm H x 546 mm D
Shipping Weight	48 kg

- FEATURES**
- Stainless steel interior
  - Dual grill 750 W (1500 W total)
  - LED lit interior
  - Convection
  - Standard or flush inset installation
  - Designed to match Wolf ovens

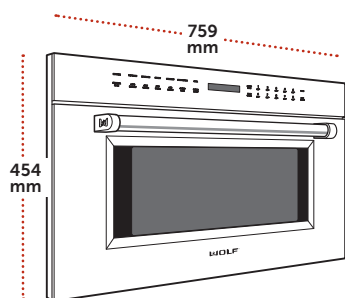
## 76cm M Series Transitional Speed Oven

MODEL	COST
ICBSPO30TM/S/TH	\$7,099

SPECIFICATIONS	
Overall Dimensions	759 mm W x 454 mm H x 546 mm D
Shipping Weight	48 kg

- FEATURES**
- Stainless steel interior
  - Dual grill 750 W (1500 W total)
  - LED lit interior
  - Convection
  - Standard or flush inset installation
  - Designed to match Wolf ovens

# Convection Speed Ovens

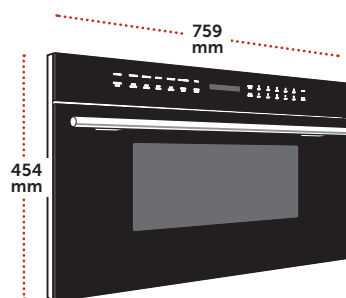


## 76cm M Series Professional Speed Oven

MODEL	COST
ICBSPO30PM/S/PH	\$7,099

SPECIFICATIONS	
Overall Dimensions	759 mm W x 454 mm H x 546 mm D
Shipping Weight	48 kg

- FEATURES**
- Stainless steel interior
  - Dual grill 750 W (1500 W total)
  - LED lit interior
  - Convection
  - Standard or flush inset installation
  - Designed to match Wolf ovens



## 76cm M Series Contemporary Speed Oven

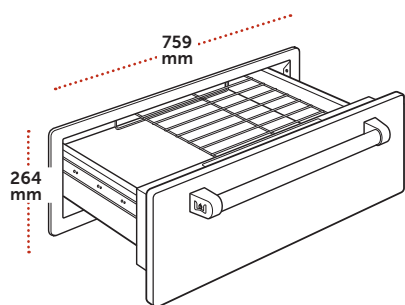
MODEL	COST
ICBSPO30CM/B/TH	\$7,099

SPECIFICATIONS	
Overall Dimensions	759 mm W x 454 mm H x 546 mm D
Shipping Weight	48 kg

- FEATURES**
- Stainless steel interior
  - Dual grill 750 W (1500 W total)
  - LED lit interior
  - Convection
  - Standard or flush inset installation
  - Designed to match Wolf ovens



# Warming Drawer



## 76cm Indoor/Outdoor Warming Drawer

MODEL	COST
ICBWWD300	\$6,599

### SPECIFICATIONS

Overall Dimensions	759 mm W x 264 mm H x 578 mm D
Heating Element	850 W
Shipping Weight	45 kg

### FEATURES

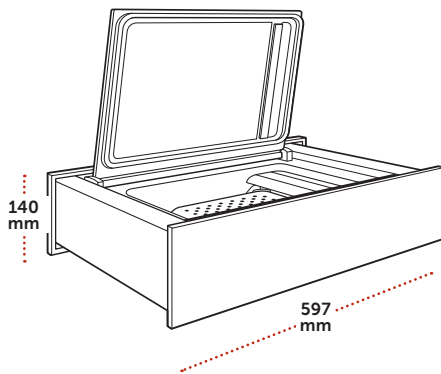
- Stainless steel
- Stainless steel drawer front required
- Drawer fronts match outdoor grills

## Accessories

DESCRIPTION	NUMBER	COST
<b>M Series Drawer Fronts</b>		
762 mm Transitional	823278	\$1,420
762 mm Professional	823279	\$1,420
762 mm Contemporary Black	823277	\$1,420
762 mm Contemporary Stainless	826754	\$1,420
<b>M Series Handles</b>		
Transitional	826011	\$585
Professional	826012	\$585
Contemporary	826544	\$585
<b>E Series Drawer Fronts</b>		
762 mm Transitional	829839	\$1,445
762 mm Professional	829837	\$1,445
<b>E Series Handles</b>		
Transitional	829298	\$580
Professional	829299	\$580
<b>Integrated Drawer Front</b>		
Integrated Drawer Front	808152	\$235
<b>51 mm Thick Pro Drawer Fronts*</b>		
762 mm Professional	812601	\$1,440
914 mm Professional	812602	\$1,440
6-pc Container Set	808529	\$1,355

\*51 mm thick panel to match depth of sealed burner rangetop and outdoor grill.

# Vacuum Seal Drawer



## 60cm Vacuum Seal Drawer

MODEL	COST
ICBVS24	\$9,799

### SPECIFICATIONS

Overall Dimensions	597 mm W x 140 mm H x 533 mm D
--------------------	--------------------------------

### FEATURES

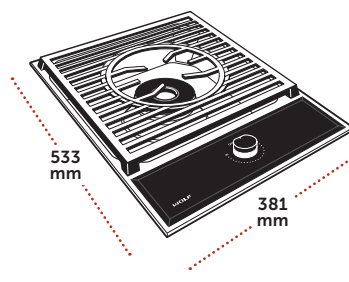
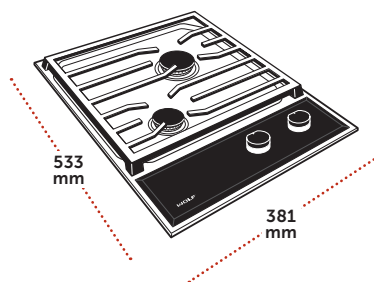
- Chamber-style vacuum
- Handleless design
- Hidden controls
- 3 vacuum settings
- 3 heat-sealing levels
- 50 small and 50 large bags, wine stopper and accessory hose included
- Drawer fronts to match Wolf ovens (drawer front required)

## Accessories

DESCRIPTION	NUMBER	COST
<b>610 mm Drawer Fronts</b>		
Contemporary Black Glass	830000	\$350
Stainless Steel	830002	\$350
<b>762 mm Drawer Fronts</b>		
Contemporary Black Glass	830001	\$500
Stainless Steel	830003	\$500
<b>Integrated Drawer Front</b>		
Front Panel Adapter	828801	\$145
<b>Bags</b>		
50 Small (180 x 280 mm)	828071	\$110
50 Large (240 x 350 mm)	828072	\$145
Wine Stopper (Set of 3)	827785	\$235

# Module Cooktops

**IMPORTANT NOTE:** Only models displaying this symbol (◆) can be paired together.



## 38cm Transitional Gas Cooktop

MODEL	COST
ICBCG152TF/S ◆	\$3,725
ICBCG152TF/S/LP ◆	\$3,725

Models with this symbol (◆) can be paired with cooktops and modules.

### SPECIFICATIONS

Overall Dimensions	381 mm W x 102 mm H x 533 mm D
Burner Rating	3.5 kW and 2.7 kW
Shipping Weight	14 kg

### FEATURES

- Brushed stainless steel trim
- Frame design pairs with multiple cooktops or modules
- Dual-stacked, sealed burners
- Flame recognition and automatic reignition

## Accessories

DESCRIPTION	NUMBER	COST
Filler Strip*	827131	\$110
Filler Strip, Downdraft Installs*	827132	\$110

\*Filler strip(s) can be used when pairing multiple modules or cooktops together for a cleaner aesthetic – not required.

## 38cm Transitional Multifunction Cooktop Module

MODEL	COST
ICBMM15TF/S ◆	\$4,725
ICBMM15TF/S/LP ◆	\$4,725

Models with this symbol (◆) can be paired with cooktops and modules.

### SPECIFICATIONS

Overall Dimensions	381 mm W x 127 mm H x 533 mm D
Burner Rating	8.0 kW
Shipping Weight	14 kg

### FEATURES

- Brushed stainless steel trim
- Frame design pairs with multiple cooktops or modules
- Hi-power sealed burner
- Flame recognition and automatic reignition
- Wok grate and continuous grate included

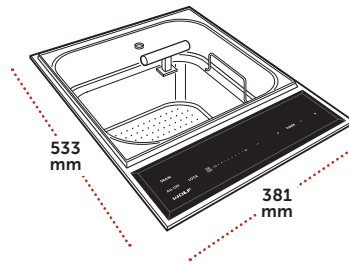
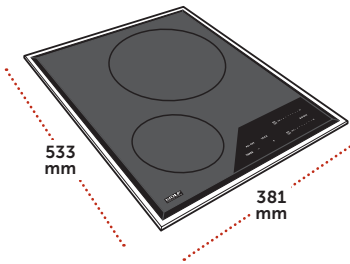
## Accessories

DESCRIPTION	NUMBER	COST
Filler Strip*	827131	\$110
Filler Strip, Downdraft Installs*	827132	\$110

\*Filler strip(s) can be used when pairing multiple modules or cooktops together for a cleaner aesthetic – not required.

# Module Cooktops

**IMPORTANT NOTE:** Only models displaying this symbol (◆) can be paired together.



## 38cm Transitional Induction Cooktop

MODEL	COST
ICBCI152TF/S ◆	\$4,699

Models with this symbol (◆) can be paired with cooktops and modules.

### SPECIFICATIONS

Overall Dimensions	381 mm W x 51 mm H x 533 mm D
Element Diameter	Max Element Power
216 mm	2300 W with 3700 W boost
152 mm	1400 W
Max Power Output	3700 W
Shipping Weight	14 kg

### FEATURES

- Brushed stainless steel trim
- Frame design pairs with multiple cooktops or modules
- Black glass ceramic surface
- Efficient heat transfer technology
- True simmer and melt settings
- Boost mode for high-heat

## 38cm Transitional Steamer Module

MODEL	COST
ICBSM15TF/S ◆	\$8,799

Models with this symbol (◆) can be paired with cooktops and modules.

### SPECIFICATIONS

Overall Dimensions	381 mm W x 343 mm H x 533 mm D
Tub Capacity	4.7 L
Max Element Power	2700 W
Shipping Weight	18 kg

### FEATURES

- Stainless steel
- Frame design pairs with multiple cooktops or modules
- Solid and perforated pans included
- Glass top sealed lid
- Cook timer
- Auto drain
- Sous vide capability

## Accessories

DESCRIPTION	NUMBER	COST
Filler Strip*	827131	\$110
Filler Strip, Downdraft Installs*	827132	\$110

\*Filler strip(s) can be used when pairing multiple modules or cooktops together for a cleaner aesthetic – not required.

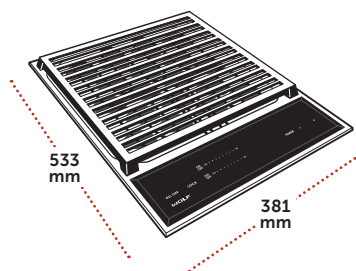
## Accessories

DESCRIPTION	NUMBER	COST
Sous Vide Basket	827691	\$320
Filler Strip*	827131	\$110

\*Filler strip(s) can be used when pairing multiple modules or cooktops together for a cleaner aesthetic – not required.

## Module Cooktops

**IMPORTANT NOTE:** Only models displaying this symbol (◆) can be paired together.



### 38cm Transitional Grill Module

MODEL	COST
ICBGM15TF/S ◆	\$5,999

Models with this symbol (◆) can be paired with cooktops and modules.

#### SPECIFICATIONS

Overall Dimensions	381 mm W x 127 mm H x 533 mm D
Max Element Power	2800 W
Shipping Weight	23 kg

#### FEATURES

- Brushed stainless steel trim
- Frame design pairs with multiple cooktops or modules
- Two independently-controlled 1400-watt heating elements
- Timer
- Dishwasher safe grate
- Easy to clean

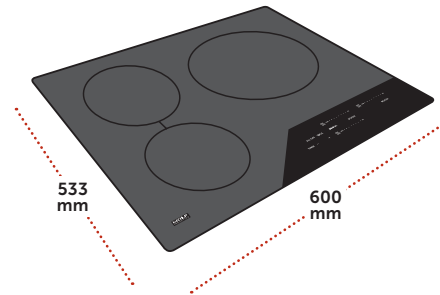
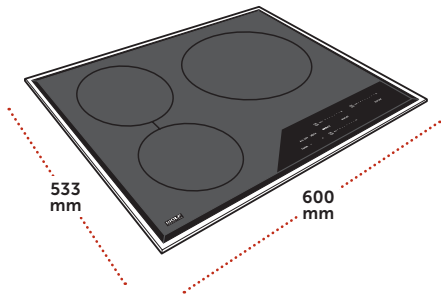
### Accessories

DESCRIPTION	NUMBER	COST
Briquette Replacement Kit	827720	\$180
Filler Strip*	827131	\$110

\*Filler strip(s) can be used when pairing multiple modules or cooktops together for a cleaner aesthetic – not required.

# Induction Cooktops

**IMPORTANT NOTE:** Only models displaying this symbol (◆) can be paired together.



## 60cm Transitional Induction Cooktop

MODEL	COST
ICBCI243TF/S ◆	\$6,495

Models with this symbol (◆) can be paired with module cooktops.

### SPECIFICATIONS

Overall Dimensions	600 mm W x 51 mm H x 533 mm D
Element Diameter	Max Element Power
279 mm	2600 W with 3700 W boost
(1) 203 mm	2100 W
(1) 203 mm	2100 W with 3700 W boost
Max Power Output	6850 W
Shipping Weight	19 kg

### FEATURES

- Brushed stainless steel trim
- Black glass ceramic surface
- Efficient heat transfer technology
- True simmer and melt settings
- Boost mode for high-heat
- Frame design pairs with module cooktops

## 60cm Contemporary Induction Cooktop

MODEL	COST
ICBCI243C/B	\$5,495

### SPECIFICATIONS

Overall Dimensions	600 mm W x 64 mm H x 533 mm D
Element Diameter	Max Element Power
279 mm	2600 W with 3700 W boost
(1) 203 mm	2100 W
(1) 203 mm	2100 W with 3700 W boost
Max Power Output	6850 W
Shipping Weight	22 kg

### FEATURES

- Unframed edge for flush installation
- Black glass ceramic surface
- Efficient heat transfer technology
- True simmer and melt settings
- Boost mode for high-heat

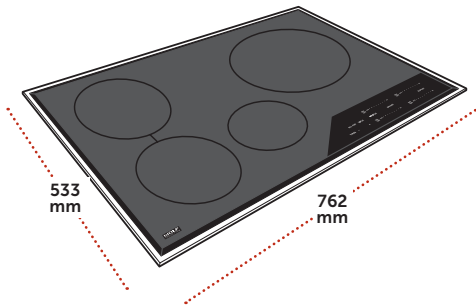
## Accessories

DESCRIPTION	NUMBER	COST
Filler Strip*	827131	\$110
Filler Strip, Downdraft Installs*	827132	\$110

\*Filler strip(s) can be used when pairing multiple modules or cooktops together for a cleaner aesthetic – not required.

# Induction Cooktops

**IMPORTANT NOTE:** Only models displaying this symbol (◆) can be paired together.



## 76cm Transitional Induction Cooktop

MODEL	COST
ICBCI304TF/S ◆	\$7,645

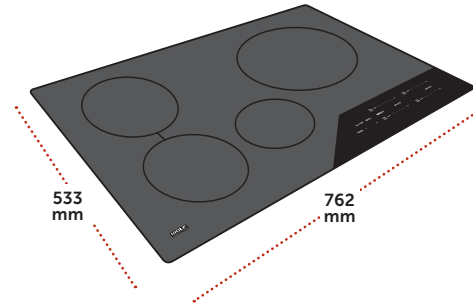
Models with this symbol (◆) can be paired with module cooktops.

### SPECIFICATIONS

Overall Dimensions	762 mm W x 51 mm H x 533 mm D
Element Diameter	Max Element Power
279 mm	2600 W with 3700 W boost
(1) 203 mm	2100 W
(1) 203 mm	2100 W with 3700 W boost
152 mm	1400 W
Max Power Output	7400 W
Shipping Weight	22 kg

### FEATURES

- Brushed stainless steel trim
- Black glass ceramic surface
- Efficient heat transfer technology
- True simmer and melt settings
- Boost mode for high-heat
- Model ICBCI304TF/S frame design pairs with module cooktops



## 76cm Contemporary Induction Cooktop

MODEL	COST
ICBCI304C/B	\$7,099

### SPECIFICATIONS

Overall Dimensions	762 mm W x 64 mm H x 533 mm D
Element Diameter	Max Element Power
279 mm	2600 W with 3700 W boost
(1) 203 mm	2100 W
(1) 203 mm	2100 W with 3700 W boost
152 mm	1400 W
Max Power Output	7400 W
Shipping Weight	22 kg

### FEATURES

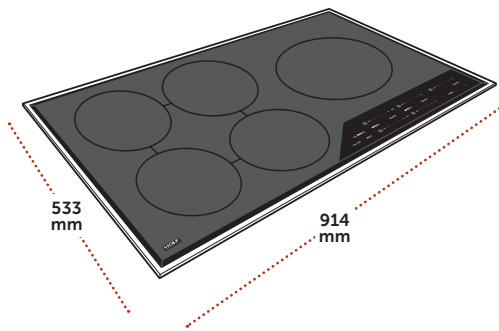
- Unframed edge for flush installation
- Black glass ceramic surface
- Efficient heat transfer technology
- True simmer and melt settings
- Boost mode for high-heat

## Accessories

DESCRIPTION	NUMBER	COST
Filler Strip*	827131	\$110
Filler Strip, Downdraft Installs*	827132	\$110

\*Filler strip(s) can be used when pairing multiple modules or cooktops together for a cleaner aesthetic – not required.

# Induction Cooktops



## 91cm Transitional Induction Cooktop

MODEL	COST
ICBCI365TF/S ♦	\$9,299

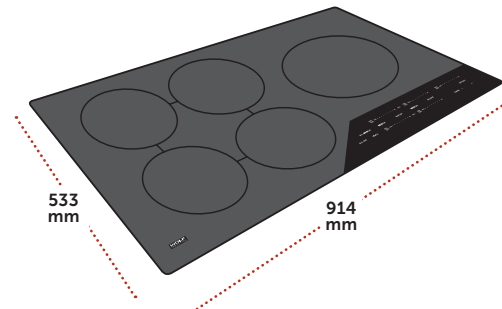
Models with this symbol (♦) can be paired with module cooktops.

### SPECIFICATIONS

Overall Dimensions	914 mm W x 51 mm H x 533 mm D
Element Diameter	Max Element Power
279 mm	2600 W with 3700 W boost
(2) 203 mm	2100 W
(2) 203 mm	2100 W with 3700 W boost
Max Power Output	11,100 W
Shipping Weight	32 kg

### FEATURES

- Brushed stainless steel trim
- Black glass ceramic surface
- Efficient heat transfer technology
- True simmer and melt settings
- Boost mode for high-heat
- Model ICBCI365TF/S frame design pairs with module cooktops



## 91cm Contemporary Induction Cooktop

MODEL	COST
ICBCI365C/B	\$8,745

### SPECIFICATIONS

Overall Dimensions	914 mm W x 64 mm H x 533 mm D
Element Diameter	Max Element Power
279 mm	2600 W with 3700 W boost
(2) 203 mm	2100 W
(2) 203 mm	2100 W with 3700 W boost
Max Power Output	11,100 W
Shipping Weight	32 kg

### FEATURES

- Unframed edge for flush installation
- Black glass ceramic surface
- Efficient heat transfer technology
- True simmer and melt settings
- Boost mode for high-heat

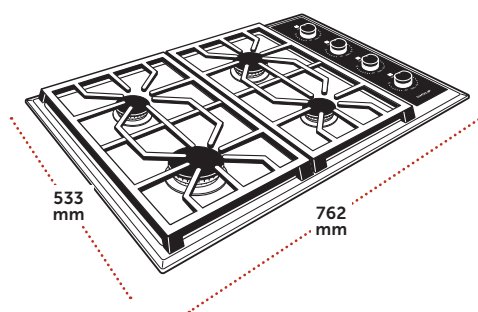
## Accessories

DESCRIPTION	NUMBER	COST
Filler Strip*	827131	\$110
Filler Strip, Downdraft Installs*	827132	\$110

\*Filler strip(s) can be used when pairing multiple modules or cooktops together for a cleaner aesthetic – not required.



## Gas Cooktops



### 76cm Transitional Gas Cooktop - 4 Burners

MODEL	COST
ICBCG304T/S	\$5,999
ICBCG304T/S/LP	\$5,999

#### SPECIFICATIONS

Overall Dimensions	762 mm W x 102 mm H x 533 mm D
Burner Rating	5.3 kW, 3.5 kW and (2) 2.7 kW
Shipping Weight	23 kg

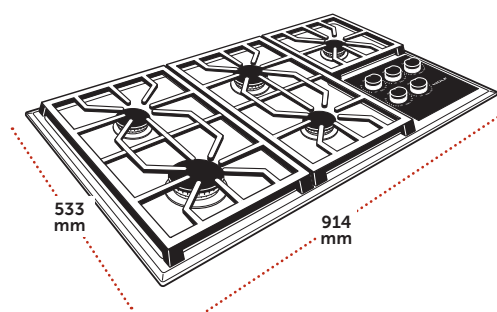
#### FEATURES

- Stainless steel
- Dual-stacked, sealed burners with true simmer
- Flame recognition and automatic reignition

### Accessories

DESCRIPTION	NUMBER	COST
2-Burner Wok Grate	827301	\$235
Transitional Styled 2-Burner Wok Grate	824484	\$235
Transitional Styled Grates	827597	\$550
Natural Gas High Altitude Kit*	824490	\$210

\*For installations above 3018 m.



### 91cm Transitional Gas Cooktop - 5 Burners

MODEL	COST
ICBCG365T/S	\$7,249
ICBCG365T/S/LP	\$7,249

#### SPECIFICATIONS

Overall Dimensions	914 mm W x 102 mm H x 533 mm D
Burner Rating	5.3 kW, 3.5 kW and (3) 2.7 kW
Shipping Weight	30 kg

#### FEATURES

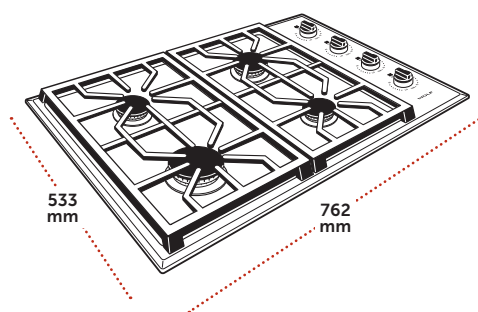
- Stainless steel
- Dual-stacked, sealed burners with true simmer
- Flame recognition and automatic reignition

### Accessories

DESCRIPTION	NUMBER	COST
2-Burner Wok Grate	827301	\$235
Transitional Styled 2-Burner Wok Grate	824484	\$235
Transitional Styled Grates	827596	\$715
Natural Gas High Altitude Kit*	824490	\$210

\*For installations above 3018 m.

# Gas Cooktops



## 76cm Professional Gas Cooktop - 4 Burners

MODEL	COST
ICBCG304P/S	\$5,999
ICBCG304P/S/LP	\$5,999

### SPECIFICATIONS

Overall Dimensions	762 mm W x 102 mm H x 533 mm D
Burner Rating	5.3 kW, 3.5 kW and (2) 2.7 kW
Shipping Weight	23 kg

### FEATURES

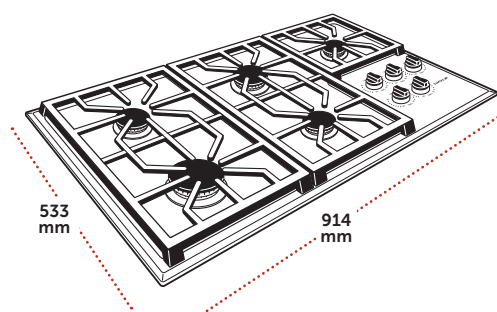
- Stainless steel
- Dual-stacked, sealed burners with true simmer
- Flame recognition and automatic reignition

## Accessories

DESCRIPTION	NUMBER	COST
2-Burner Wok Grate	827301	\$235
Transitional Styled 2-Burner Wok Grate	824484	\$235
Transitional Styled Grates	827597	\$550
<b>Knobs</b>		
Stainless Steel	824482	\$235
Stainless Steel*	824488	N/C
Red	824977	\$235
Black	824480	\$235
Black*	824486	N/C
Natural Gas High Altitude Kit**	824490	\$210

\*Unit ships with red knobs. One set at no charge with product purchase.

\*\*For installations above 3018 m.



## 91cm Professional Gas Cooktop - 5 Burners

MODEL	COST
ICBCG365P/S	\$7,249
ICBCG365P/S/LP	\$7,249

### SPECIFICATIONS

Overall Dimensions	914 mm W x 102 mm H x 533 mm D
Burner Rating	5.3 kW, 3.5 kW and (3) 2.7 kW
Shipping Weight	30 kg

### FEATURES

- Stainless steel
- Dual-stacked, sealed burners with true simmer
- Flame recognition and automatic reignition

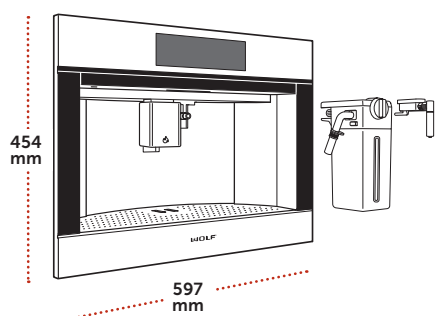
## Accessories

DESCRIPTION	NUMBER	COST
2-Burner Wok Grate	827301	\$235
Transitional Styled 2-Burner Wok Grate	824484	\$235
Transitional Styled Grates	827596	\$715
<b>Knobs</b>		
Stainless Steel	824483	\$235
Stainless Steel*	824489	N/C
Red	824978	\$235
Black	824481	\$235
Black*	824487	N/C
Natural Gas High Altitude Kit**	824490	\$210

\*Unit ships with red knobs. One set at no charge with product purchase.

\*\*For installations above 3018 m.

# Coffee Systems



## 60cm E Series Transitional Coffee System

MODEL	COST
ICBEC2450TE/S	\$16,495

### SPECIFICATIONS

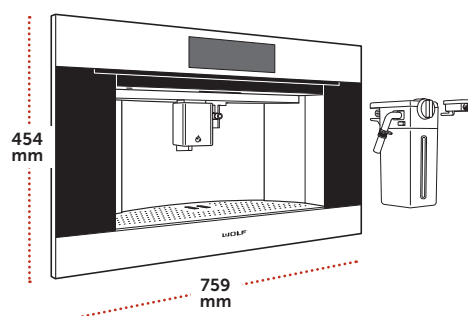
Overall Dimensions	597 mm W x 454 mm H x 483 mm D
Shipping Weight	30 kg

### FEATURES

- Standard or flush inset installation
- Full-color touchscreen
- Save favorites within six independent user profiles
- 17 drink mode selections
- Insulated milk container with froth regulator
- 355 ml whole bean capacity, or single serve pre-ground option
- 2.5 L water tank
- Height-adjustable dual dispensing coffee spout
- Rinse container
- Pairs seamlessly with a Wolf Cup Warming Drawer

## Accessories

DESCRIPTION	NUMBER	COST
Insulated Milk Container	830403	\$240
Charcoal Water Filter	830406	\$105
Descaling Solution (2)	829244	\$90
Care Kit (5)	830407	\$815



## 76cm E Series Transitional Coffee System

MODEL	COST
ICBEC3050TE/S	\$17,999

### SPECIFICATIONS

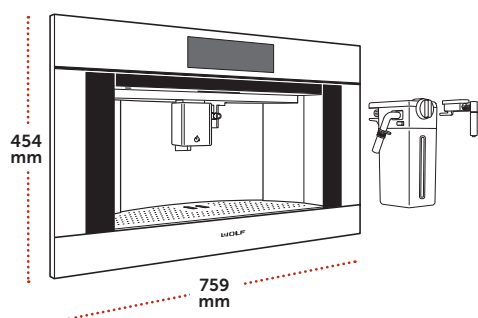
Overall Dimensions	759 mm W x 454 mm H x 483 mm D
Shipping Weight	33 kg

### FEATURES

- Standard or flush inset installation
- Full-color touchscreen
- Save favorites within six independent user profiles
- 17 drink mode selections
- Insulated milk container with froth regulator
- 355 ml whole bean capacity, or single serve pre-ground option
- 2.5 L water tank
- Height-adjustable dual dispensing coffee spout
- Rinse container

## Accessories

DESCRIPTION	NUMBER	COST
Insulated Milk Container	830403	\$240
Charcoal Water Filter	830406	\$105
Descaling Solution (2)	829244	\$90
Care Kit (5)	830407	\$815



## 76cm E Series Professional Coffee System

MODEL	COST
ICBEC3050PE/S	\$17,999

### SPECIFICATIONS

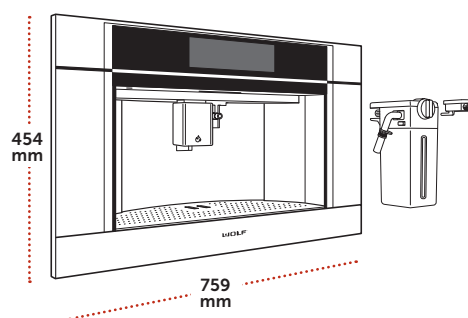
Overall Dimensions	759 mm W x 454 mm H x 483 mm D
Shipping Weight	33 kg

### FEATURES

- Standard or flush inset installation
- Full-color touchscreen
- Save favorites within six independent user profiles
- 17 drink mode selections
- Insulated milk container with froth regulator
- 355 ml whole bean capacity, or single serve pre-ground option
- 2.5 L water tank
- Height-adjustable dual dispensing coffee spout
- Rinse container

## Accessories

DESCRIPTION	NUMBER	COST
Insulated Milk Container	830403	\$240
Charcoal Water Filter	830406	\$105
Descaling Solution (2)	829244	\$90
Care Kit (5)	830407	\$815



## 76cm M Series Transitional Coffee System

MODEL	COST
ICBEC3050TM/S	\$17,999

### SPECIFICATIONS

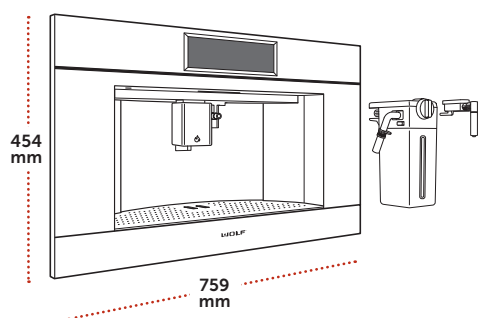
Overall Dimensions	759 mm W x 454 mm H x 483 mm D
Shipping Weight	33 kg

### FEATURES

- Standard or flush inset installation
- Full-color touchscreen
- Save favorites within six independent user profiles
- 17 drink mode selections
- Insulated milk container with froth regulator
- 355 ml whole bean capacity, or single serve pre-ground option
- 2.5 L water tank
- Height-adjustable dual dispensing coffee spout
- Rinse container

## Accessories

DESCRIPTION	NUMBER	COST
Insulated Milk Container	830403	\$240
Charcoal Water Filter	830406	\$105
Descaling Solution (2)	829244	\$90
Care Kit (5)	830407	\$815



## 76cm M Series Professional Coffee System

MODEL	COST
ICBEC3050PM/S	\$17,999

### SPECIFICATIONS

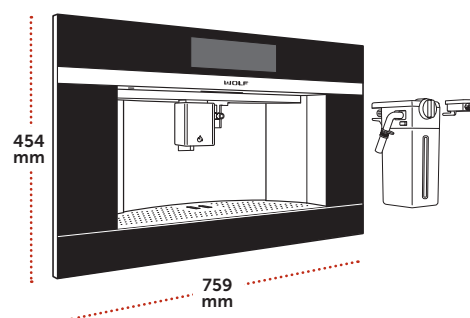
Overall Dimensions	759 mm W x 454 mm H x 483 mm D
Shipping Weight	33 kg

### FEATURES

- Standard or flush inset installation
- Full-color touchscreen
- Save favorites within six independent user profiles
- 17 drink mode selections
- Insulated milk container with froth regulator
- 355 ml whole bean capacity, or single serve pre-ground option
- 2.5 L water tank
- Height-adjustable dual dispensing coffee spout
- Rinse container

## Accessories

DESCRIPTION	NUMBER	COST
Insulated Milk Container	830403	\$240
Charcoal Water Filter	830406	\$105
Descaling Solution (2)	829244	\$90
Care Kit (5)	830407	\$815



## 76cm M Series Contemporary Coffee System

MODEL	COST
ICBEC3050CM/B	\$17,999

### SPECIFICATIONS

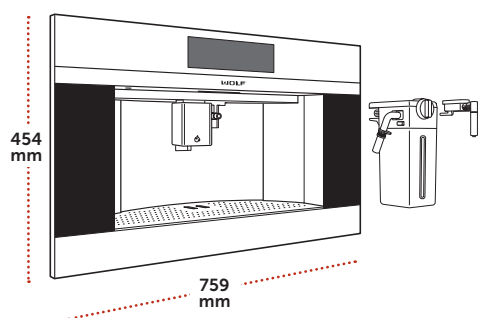
Overall Dimensions	759 mm W x 454 mm H x 483 mm D
Shipping Weight	33 kg

### FEATURES

- Standard or flush inset installation
- Full-color touchscreen
- Save favorites within six independent user profiles
- 17 drink mode selections
- Insulated milk container with froth regulator
- 355 ml whole bean capacity, or single serve pre-ground option
- 2.5 L water tank
- Height-adjustable dual dispensing coffee spout
- Rinse container

## Accessories

DESCRIPTION	NUMBER	COST
Insulated Milk Container	830403	\$240
Charcoal Water Filter	830406	\$105
Descaling Solution (2)	829244	\$90
Care Kit (5)	830407	\$815



## 76cm M Series Contemporary Coffee System

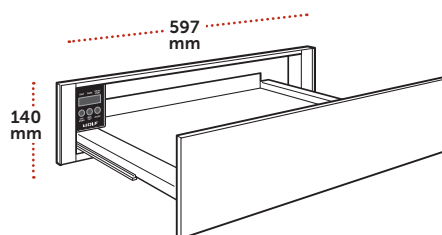
MODEL	COST
ICBEC3050CM/S	\$17,999

### SPECIFICATIONS

Overall Dimensions	759 mm W x 454 mm H x 483 mm D
Shipping Weight	33 kg

### FEATURES

- Standard or flush inset installation
- Full-color touchscreen
- Save favorites within six independent user profiles
- 17 drink mode selections
- Insulated milk container with froth regulator
- 355 ml whole bean capacity, or single serve pre-ground option
- 2.5 L water tank
- Height-adjustable dual dispensing coffee spout
- Rinse container



## 60cm Cup Warming Drawer

MODEL	COST
ICBCW24/S Stainless Steel	\$3,059
ICBCW24/B Black	\$3,059

### SPECIFICATIONS

Overall Dimensions	597 mm W x 140 mm H x 533 mm D
--------------------	--------------------------------

### FEATURES

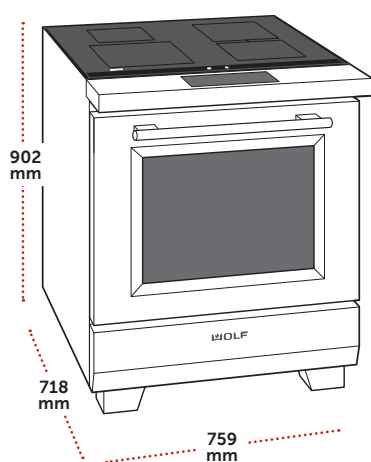
- Hidden controls
- Standard or flush inset installation
- 420-watt heating element
- Temperature range 30°C to 80°C
- Automatic shut off
- Delayed start
- Full-extension drawer glides
- Removable drawer liner



## Accessories

DESCRIPTION	NUMBER	COST
Insulated Milk Container	830403	\$240
Charcoal Water Filter	830406	\$105
Descaling Solution (2)	829244	\$90
Care Kit (5)	830407	\$815

# Induction Ranges



## 76cm Transitional Induction Range

MODEL	COST
ICBIR30450/S/T	\$25,999

### SPECIFICATIONS

Overall Dimensions	759 mm W x 902 mm H x 718 mm D
Element Diameter	Max Element Power
279 mm	2600 W with 3700 W boost
(2) 203 mm	2100 W with 3700 W boost
152 mm	1400 W with 2200 W boost
Cooktop Max Power Output	7400 W
Shipping Weight	177 kg

### FEATURES

- Scratch-resistant, ceramic glass induction cooking surface
- Dual convection oven with 11 cooking modes including Gourmet
- Large full-color touch screen
- True simmer and melt settings
- Boost Mode delivers rapid heat for faster boil times
- Bridge function joins two induction zones
- 1 standard and 2 full-extension ball bearing racks
- Multifunction pan
- Temperature probe

## Accessories

### Surface Accessories

DESCRIPTION	NUMBER	COST
Filler Trim (2-pc)	9022633	\$295

### Oven Accessories

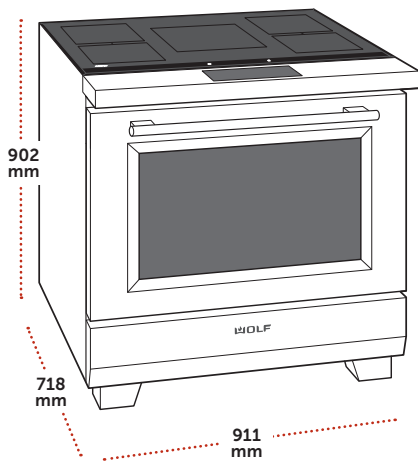
DESCRIPTION	NUMBER	COST
Full-Ext Ball-Bearing Rack	9030652	\$525
Standard Oven Rack	823256	\$265
762 mm Baking Sheet	823269	\$235
Temperature Probe	823261	\$235
Grill Pan	819377	\$205
Multifunction Pan/Rack	9029357	\$695
Dehydration Kit	9034725	\$550
Bake Stone Kit	9016697	\$695

### Leg Extension Covers, Caster Covers and Kickplate

DESCRIPTION	NUMBER	COST
<b>Front Leg Extension Covers</b>		
64 mm Covers	9022347	\$210
89 mm Covers	9022607	\$205
102 mm Covers	9022608	\$205
114 mm Covers	9022609	\$205
<b>Rear Caster Covers</b>		
64 mm Covers	9022587	\$320
76 mm Covers	9022588	\$320
89 mm Covers	9022589	\$320
102 mm Covers	9022590	\$320
114 mm Covers	9022591	\$320
<b>Kickplates</b>		
64 mm Stainless Steel	9022087	\$65
76 mm Stainless Steel	9018542	\$65
89 mm Stainless Steel	9022088	\$65
102 mm Stainless Steel	9022089	\$65
114 mm Stainless Steel	9022090	\$65

Use 64 mm for countertop heights ranging from 902 to 914 mm.  
 Use 76 mm for countertop heights ranging from 908 to 927 mm.  
 Use 89 mm for countertop heights ranging from 921 to 940 mm.  
 Use 102 mm for countertop heights ranging from 934 to 953 mm.  
 Use 114 mm for countertop heights ranging from 946 to 965 mm.

# Induction Ranges



## 91cm Transitional Induction Range

MODEL	COST
ICBIR36550/S/T	\$35,999

### SPECIFICATIONS

Overall Dimensions	911 mm W x 902 mm H x 718 mm D
Element Diameter	Max Element Power
279 mm	2600 W with 3700 W boost
(4) 203 mm	2100 W with 3700 W boost
Cooktop Max Power Output	11,100 W
Shipping Weight	202 kg

### FEATURES

- Scratch-resistant, ceramic glass induction cooking surface
- Dual convection oven with 11 cooking modes including Gourmet
- Large full-color touch screen
- True simmer and melt settings
- Boost Mode delivers rapid heat for faster boil times
- Bridge function joins two induction zones
- 1 standard and 2 full-extension ball bearing racks
- Multifunction pan
- Temperature probe

## Accessories

### Surface Accessories

DESCRIPTION	NUMBER	COST
Filler Trim (2-pc)	9022633	\$295

### Oven Accessories

DESCRIPTION	NUMBER	COST
Full-Ext Ball-Bearing Rack	9022538	\$530
Standard Oven Rack	9022540	\$260
762 mm Baking Sheet	823269	\$235
Temperature Probe	823261	\$235
Grill Pan	819377	\$205
Multifunction Pan/Rack	9029360	\$695
Dehydration Kit	9034726	\$550
Bake Stone Kit	9016697	\$695

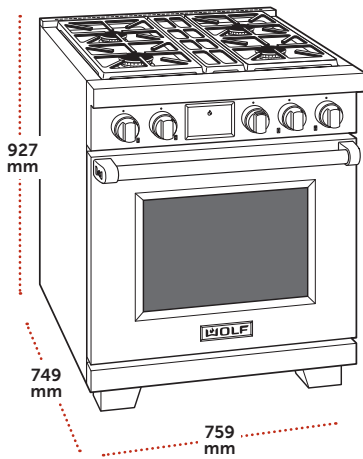
### Leg Extension Covers, Caster Covers and Kickplate

DESCRIPTION	NUMBER	COST
<b>Front Leg Extension Covers</b>		
64 mm Covers	9022347	\$210
89 mm Covers	9022607	\$205
102 mm Covers	9022608	\$205
114 mm Covers	9022609	\$205
<b>Rear Caster Covers</b>		
64 mm Covers	9022587	\$320
76 mm Covers	9022588	\$320
89 mm Covers	9022589	\$320
102 mm Covers	9022590	\$320
114 mm Covers	9022591	\$320
<b>Kickplates</b>		
64 mm Stainless Steel	9022091	\$90
76 mm Stainless Steel	9018543	\$90
89 mm Stainless Steel	9022092	\$90
102 mm Stainless Steel	9022093	\$90
114 mm Stainless Steel	9022094	\$90

Use 64 mm for countertop heights ranging from 902 to 914 mm.  
 Use 76 mm for countertop heights ranging from 908 to 927 mm.  
 Use 89 mm for countertop heights ranging from 921 to 940 mm.  
 Use 102 mm for countertop heights ranging from 934 to 953 mm.  
 Use 114 mm for countertop heights ranging from 946 to 965 mm.



# Dual Fuel Ranges



## 76 cm Dual Fuel Range

### 76cm Dual Fuel Range - 4 Burners

MODEL	COST
ICBDF30450/S/P	\$24,495
ICBDF30450/S/P/LP	\$24,495

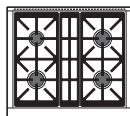
Red knobs and stainless steel bezels included with the range. Black or stainless steel knobs available at reduced charge with product purchase.

#### SPECIFICATIONS

Overall Dimensions	759 mm W x 927 mm H x 749 mm D
Surface Burners	(1) 5.3 kW (2) 4.5 kW (1) 2.7 kW
Shipping Weight	187 kg

#### FEATURES

- Dual-stacked, sealed burners
- Dual convection oven with 11 cooking modes including Gourmet
- Large full-color touch screen
- Low kW for true simmer and melts
- LED backlit control knobs
- 1 standard and 2 full-extension ball bearing racks
- Multifunction pan
- Temperature probe
- Signature red knobs included



### Stainless Steel Risers

DESCRIPTION	NUMBER	COST
<b>Stainless Steel Risers*</b>		
127 mm Riser	9016116	\$695
254 mm Riser	9016117	\$865
508 mm Riser with Shelf	9016118	\$1,620

\*Minimum 127 mm riser required against combustible surfaces.

### Knobs

DESCRIPTION	NUMBER	COST
<b>Knobs</b>		
Stainless Steel Knobs	9026005	\$525
Stainless Steel Knobs*	9043135	\$35
Red Knobs	9039705	\$525
Black Knobs	9026002	\$525
Black Knobs*	9043136	\$35

\*One set at reduced charge with product purchase.

### Surface Accessories

DESCRIPTION	NUMBER	COST
Filler Trim (2-pc)	810919	\$495
2-Burner Wok Grate*	9042311	\$295

\*Grate covers two burner positions allowing one burner to accommodate a rounded wok.

## Dual Fuel Ranges

---

### 76 cm Dual Fuel Range Accessories

#### Oven Accessories

DESCRIPTION	NUMBER	COST
Full-Ext Ball-Bearing Rack	9030652	\$525
Standard Oven Rack	823256	\$265
762 mm Baking Sheet	823269	\$235
Temperature Probe	823261	\$235
Grill Pan	819377	\$205
Multifunction Pan/Rack	9029357	\$695
Dehydration Kit	9034725	\$550
Bake Stone Kit	9016697	\$695

#### Leg Extension Covers, Caster Covers and Kickplate

DESCRIPTION	NUMBER	COST
<b>Front Leg Extension Covers</b>		
64 mm Covers	9022347	\$210
89 mm Covers	9022607	\$205
102 mm Covers	9022608	\$205
114 mm Covers	9022609	\$205
<b>Rear Caster Covers</b>		
64 mm Covers	9022587	\$320
76 mm Covers	9022588	\$320
89 mm Covers	9022589	\$320
102 mm Covers	9022590	\$320
114 mm Covers	9022591	\$320
<b>Kickplates</b>		
64 mm Stainless Steel	9022087	\$65
76 mm Stainless Steel	9018542	\$65
89 mm Stainless Steel	9022088	\$65
102 mm Stainless Steel	9022089	\$65
114 mm Stainless Steel	9022090	\$65

Use 64 mm for countertop heights ranging from 902 to 914 mm.

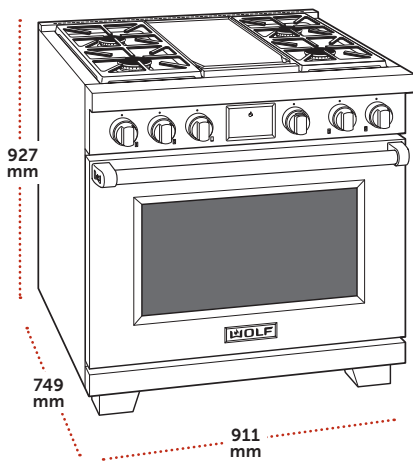
Use 76 mm for countertop heights ranging from 908 to 927 mm.

Use 89 mm for countertop heights ranging from 921 to 940 mm.

Use 102 mm for countertop heights ranging from 934 to 953 mm.

Use 114 mm for countertop heights ranging from 946 to 965 mm.

# Dual Fuel Ranges



## 91 cm Dual Fuel Ranges

### 91cm Dual Fuel Range - 4 Burners and Infrared Teppanyaki

MODEL	COST
ICBDF36450G/S/P	\$37,999
ICBDF36450G/S/P/LP	\$37,999

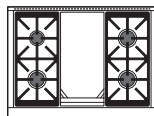
Red knobs and stainless steel bezels included with the range. Black or stainless steel knobs available at reduced charge with product purchase.

#### SPECIFICATIONS

Overall Dimensions	911 mm W x 927 mm H x 749 mm D
Surface Burners	(1) 5.3 kW (2) 4.5 kW (1) 2.7 kW
Infrared Griddle/ Teppanyaki	4.5 kW
Shipping Weight	228 kg

#### FEATURES

- Dual-stacked, sealed burners
- Dual convection oven with 11 cooking modes including Gourmet
- Adjustable infrared griddle/teppanyaki
- Large full-color touch screen
- Low kW for true simmer and melts
- LED backlit control knobs
- 1 standard and 2 full-extension ball bearing racks
- Multifunction pan
- Temperature probe
- Signature red knobs included



### 91cm Dual Fuel Range - 6 Burners

MODEL	COST
ICBDF36650/S/P	\$34,495
ICBDF36650/S/P/LP	\$34,495

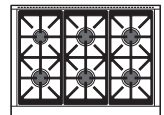
Red knobs and stainless steel bezels included with the range. Black or stainless steel knobs available at reduced charge with product purchase.

#### SPECIFICATIONS

Overall Dimensions	911 mm W x 927 mm H x 749 mm D
Surface Burners	(1) 5.3 kW (4) 4.5 kW (1) 2.7 kW
Shipping Weight	214 kg

#### FEATURES

- Dual-stacked, sealed burners
- Dual convection oven with 11 cooking modes including Gourmet
- Large full-color touch screen
- Low kW for true simmer and melts
- LED backlit control knobs
- 1 standard and 2 full-extension ball bearing racks
- Multifunction pan
- Temperature probe
- Signature red knobs included



# Dual Fuel Ranges

## 91 cm Dual Fuel Range Accessories

### Stainless Steel Risers

DESCRIPTION	NUMBER	COST
<b>Stainless Steel Risers*</b>		
127 mm Riser	9016119	\$770
254 mm Riser	9016120	\$925
508 mm Riser with Shelf	9016121	\$1,850

\*Minimum 254 mm riser required against combustible surfaces.

### Knobs

DESCRIPTION	NUMBER	COST
<b>Knobs</b>		
Stainless Steel Knobs	9026006	\$525
Stainless Steel Knobs*	9043137	\$35
Red Knobs	9039706	\$525
Black Knobs	9026003	\$525
Black Knobs*	9043138	\$35

\*One set at reduced charge with product purchase.

### Surface Accessories

DESCRIPTION	NUMBER	COST
Filler Trim (2-pc)	810919	\$495
2-Burner Wok Grate*	9042311	\$295
<b>Griddle/Teppanyaki Model</b>		
279 mm Cutting Board	9022536	\$350
Griddle/Teppanyaki Cleaning Kit	812278	\$585
Cleaning Solution (4) 946 ml	812279	\$350
Cleaning Pads (6) 10-packs	9021489	\$375

\*Grate covers two burner positions allowing one burner to accommodate a rounded wok.

### Oven Accessories

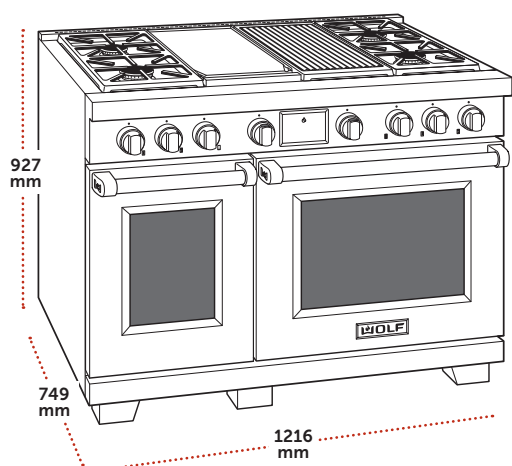
DESCRIPTION	NUMBER	COST
Full-Ext Ball-Bearing Rack	9022538	\$530
Standard Oven Rack	9022540	\$260
762 mm Baking Sheet	823269	\$235
Temperature Probe	823261	\$235
Grill Pan	819377	\$205
Multifunction Pan/Rack	9029360	\$695
Dehydration Kit	9034726	\$550
Bake Stone Kit	9016697	\$695

### Leg Extension Covers, Caster Covers and Kickplate

DESCRIPTION	NUMBER	COST
<b>Front Leg Extension Covers</b>		
64 mm Covers	9022347	\$210
89 mm Covers	9022607	\$205
102 mm Covers	9022608	\$205
114 mm Covers	9022609	\$205
<b>Rear Caster Covers</b>		
64 mm Covers	9022587	\$320
76 mm Covers	9022588	\$320
89 mm Covers	9022589	\$320
102 mm Covers	9022590	\$320
114 mm Covers	9022591	\$320
<b>Kickplates</b>		
64 mm Stainless Steel	9022091	\$90
76 mm Stainless Steel	9018543	\$90
89 mm Stainless Steel	9022092	\$90
102 mm Stainless Steel	9022093	\$90
114 mm Stainless Steel	9022094	\$90

Use 64 mm for countertop heights ranging from 902 to 914 mm.  
 Use 76 mm for countertop heights ranging from 908 to 927 mm.  
 Use 89 mm for countertop heights ranging from 921 to 940 mm.  
 Use 102 mm for countertop heights ranging from 934 to 953 mm.  
 Use 114 mm for countertop heights ranging from 946 to 965 mm.

# Dual Fuel Ranges



## 122 cm Dual Fuel Ranges

### 122cm Dual Fuel Range - 4 Burners with Infrared Chargrill and Teppanyaki

MODEL	COST
ICBDF48450CG/S/P	\$51,495
ICBDF48450CG/S/P/LP	\$51,495

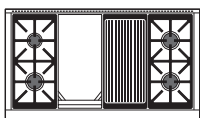
Red knobs and stainless steel bezels included with the range. Black or stainless steel knobs available at reduced charge with product purchase.

#### SPECIFICATIONS

Overall Dimensions	1216 mm W x 927 mm H x 749 mm D
Surface Burners	(1) 5.3 kW (2) 4.5 kW (1) 2.7 kW
Infrared Griddle/Teppanyaki	4.5 kW
Infrared Chargrill	4.5 kW
Shipping Weight	319 kg

#### FEATURES

- Dual-stacked, sealed burners
- Large dual convection oven with 11 cooking modes including Gourmet, and 457 mm single convection oven with 10 cooking modes
- Adjustable infrared griddle/teppanyaki
- Adjustable infrared chargrill
- Large full-color touch screen
- Low kW for true simmer and melts
- LED backlit control knobs
- 1 standard and 2 full-extension ball bearing racks in the 762 mm oven
- 1 standard and 1 full-extension ball bearing racks in the 457 mm oven
- Multifunction pan
- Temperature probe
- Signature red knobs included



### 122cm Dual Fuel Range - 8 Burners

MODEL	COST
ICBDF48850/S/P	\$45,999
ICBDF48850/S/P/LP	\$45,999

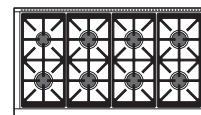
Red knobs and stainless steel bezels included with the range. Black or stainless steel knobs available at reduced charge with product purchase.

#### SPECIFICATIONS

Overall Dimensions	1216 mm W x 927 mm H x 749 mm D
Surface Burners	(1) 5.3 kW (6) 4.5 kW (1) 2.7 kW
Shipping Weight	298 kg

#### FEATURES

- Dual-stacked, sealed burners
- Large dual convection oven with 11 cooking modes including Gourmet, and 457 mm single convection oven with 10 cooking modes
- Large full-color touch screen
- Low kW for true simmer and melts
- LED backlit control knobs
- 1 standard and 2 full-extension ball bearing racks in the 762 mm oven
- 1 standard and 1 full-extension ball bearing racks in the 457 mm oven
- Multifunction pan
- Temperature probe
- Signature red knobs included



# Dual Fuel Ranges

## 122cm Dual Fuel Range - 6 Burners and Infrared Teppanyaki

MODEL	COST
ICBDF48650G/S/P	\$48,999
ICBDF48650G/S/P/LP	\$48,999

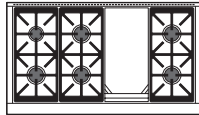
Red knobs and stainless steel bezels included with the range. Black or stainless steel knobs available at reduced charge with product purchase.

### SPECIFICATIONS

Overall Dimensions	1216 mm W x 927 mm H x 749 mm D
Surface Burners	(1) 5.3 kW (4) 4.5 kW (1) 2.7 kW
Infrared Griddle/Teppanyaki	4.5 kW
Shipping Weight	314 kg

### FEATURES

- Dual-stacked, sealed burners
- Large dual convection oven with 11 cooking modes including Gourmet, and 457 mm single convection oven with 10 cooking modes
- Adjustable infrared griddle/teppanyaki
- Large full-color touch screen
- Low kW for true simmer and melts
- LED backlit control knobs
- 1 standard and 2 full-extension ball bearing racks in the 762 mm oven
- 1 standard and 1 full-extension ball bearing racks in the 457 mm oven
- Multifunction pan
- Temperature probe
- Signature red knobs included



## 122cm Dual Fuel Range - 4 Burners with Infrared Dual Teppanyaki

MODEL	COST
ICBDF48450DG/S/P	\$51,495
ICBDF48450DG/S/P/LP	\$51,495

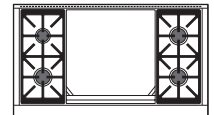
Red knobs and stainless steel bezels included with the range. Black or stainless steel knobs available at reduced charge with product purchase.

### SPECIFICATIONS

Overall Dimensions	1216 mm W x 927 mm H x 749 mm D
Surface Burners	(1) 5.3 kW (2) 4.5 kW (1) 2.7 kW
Infrared Double Griddle/Teppanyaki	4.5 kW
Shipping Weight	708 lbs (321 kg)

### FEATURES

- Dual-stacked, sealed burners
- Large dual convection oven with 11 cooking modes including Gourmet, and 457 mm single convection oven with 10 cooking modes
- Adjustable infrared double griddle/teppanyaki
- Large full-color touch screen
- Low kW for true simmer and melts
- LED backlit control knobs
- 1 standard and 2 full-extension ball bearing racks in the 762 mm oven
- 1 standard and 1 full-extension ball bearing racks in the 457 mm oven
- Multifunction pan
- Temperature probe
- Signature red knobs included



# Dual Fuel Ranges

## 122 cm Dual Fuel Range Accessories

### Stainless Steel Risers

DESCRIPTION	NUMBER	COST
<b>Stainless Steel Risers*</b>		
127 mm Riser	9016122	\$870
254 mm Riser	9016123	\$1,070
508 mm Riser with Shelf	9016124	\$2,255

\*Minimum 254 mm riser required against combustible surfaces.

### Knobs

DESCRIPTION	NUMBER	COST
<b>Knobs</b>		
Stainless Steel Knobs	9026007	\$525
Stainless Steel Knobs*	9043139	\$35
Red Knobs	9039707	\$525
Black Knobs	9026004	\$525
Black Knobs*	9043140	\$35

\*One set at reduced charge with product purchase.

### Surface Accessories

DESCRIPTION	NUMBER	COST
Filler Trim (2-pc)	810919	\$495
2-Burner Wok Grate*	9042311	\$295
<b>Griddle/Teppanyaki Models</b>		
279 mm Cutting Board	9022536	\$350
559 mm Cutting Board	9022537	\$385
Griddle/Teppanyaki Cleaning Kit	812278	\$585
Cleaning Solution (4) 946 ml	812279	\$350
Cleaning Pads (6) 10-packs	9021489	\$375

\*Grate covers two burner positions allowing one burner to accommodate a rounded wok.

### Oven Accessories

DESCRIPTION	NUMBER	COST
<b>762 mm Oven</b>		
Full-Ext Ball-Bearing Rack	9030652	\$525
Standard Oven Rack	823256	\$265
762 mm Baking Sheet	823269	\$235
Grill Pan	819377	\$205
Multifunction Pan/Rack	9029357	\$695
Dehydration Kit	9034725	\$550
Bake Stone Kit	9016697	\$695

### 457 mm Oven

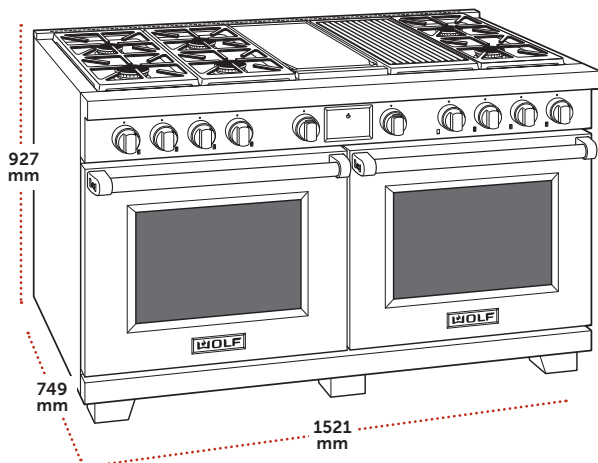
Full-Ext Ball-Bearing Rack	9022539	\$385
Standard Oven Rack	9022541	\$110
Grill Pan	819376	\$180
Dehydration Kit	9034727	\$495
Temperature Probe	823261	\$235

### Leg Extension Covers, Caster Covers and Kickplate

DESCRIPTION	NUMBER	COST
<b>Front Leg Extension Covers</b>		
64 mm Covers	9022347	\$210
89 mm Covers	9022607	\$205
102 mm Covers	9022608	\$205
114 mm Covers	9022609	\$205
<b>Rear Caster Covers</b>		
64 mm Covers	9022587	\$320
76 mm Covers	9022588	\$320
89 mm Covers	9022589	\$320
102 mm Covers	9022590	\$320
114 mm Covers	9022591	\$320
<b>Kickplates</b>		
64 mm Stainless Steel	9022113	\$110
76 mm Stainless Steel	9018545	\$110
89 mm Stainless Steel	9022114	\$110
102 mm Stainless Steel	9022115	\$110
114 mm Stainless Steel	9022116	\$110

Use 64 mm for countertop heights ranging from 902 to 914 mm.  
Use 76 mm for countertop heights ranging from 908 to 927 mm.  
Use 89 mm for countertop heights ranging from 921 to 940 mm.  
Use 102 mm for countertop heights ranging from 934 to 953 mm.  
Use 114 mm for countertop heights ranging from 946 to 965 mm.

## Dual Fuel Ranges



### 152 cm Dual Fuel Range



#### 152cm Dual Fuel Range - 6 Burners with Infrared Chargrill and Teppanyaki

MODEL	COST
ICBDF60650CG/S/P	\$63,495
ICBDF60650CG/S/P/LP	\$63,495

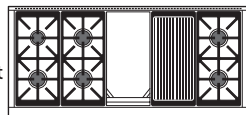
Red knobs and stainless steel bezels included with the range. Black or stainless steel knobs available at reduced charge with product purchase.

#### SPECIFICATIONS

Overall Dimensions	1521 mm W x 927 mm H x 749 mm D
Surface Burners	(1) 5.3 kW (4) 4.5 kW (1) 2.7 kW
Infrared Griddle/Teppanyaki	4.5 kW
Infrared Chargrill	4.5 kW
Shipping Weight	375 kg

#### FEATURES

- Dual-stacked, sealed burners
- Dual convection ovens with 11 cooking modes including Gourmet
- Adjustable infrared griddle/teppanyaki
- Adjustable infrared chargrill
- Large full-color touch screen
- Low kW for true simmer and melts
- LED backlit control knobs
- 1 standard and 2 full-extension ball bearing racks (per oven)
- Multifunction pan
- Temperature probe
- Signature red knobs included



#### 152cm Dual Fuel Range - 6 Burners with Infrared Dual Teppanyaki

MODEL	COST
ICBDF60650DG/S/P	\$63,495
ICBDF60650DG/S/P/LP	\$63,495

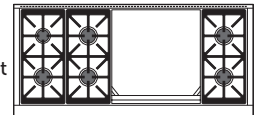
Red knobs and stainless steel bezels included with the range. Black or stainless steel knobs available at reduced charge with product purchase.

#### SPECIFICATIONS

Overall Dimensions	1521 mm W x 927 mm H x 749 mm D
Surface Burners	(1) 5.3 kW (4) 4.5 kW (1) 2.7 kW
Infrared Double Griddle/Teppanyaki	4.5 kW
Shipping Weight	377 kg

#### FEATURES

- Dual-stacked, sealed burners
- Dual convection ovens with 11 cooking modes including Gourmet
- Adjustable infrared double griddle/teppanyaki
- Large full-color touch screen
- Low kW for true simmer and melts
- LED backlit control knobs
- 1 standard and 2 full-extension ball bearing racks (per oven)
- Multifunction pan
- Temperature probe
- Signature red knobs included





# Dual Fuel Ranges

## 152 cm Dual Fuel Range Accessories

### Stainless Steel Risers

DESCRIPTION	NUMBER	COST
<b>Stainless Steel Risers*</b>		
127 mm Riser	9016125	\$1,095
254 mm Riser	9016126	\$1,190
508 mm Riser with Shelf	9016127	\$2,765

\*Minimum 254 mm riser required against combustible surfaces.

### Knobs

DESCRIPTION	NUMBER	COST
<b>Knobs</b>		
Stainless Steel Knobs	9026007	\$525
Stainless Steel Knobs*	9043139	\$35
Red Knobs	9039707	\$525
Black Knobs	9026004	\$525
Black Knobs*	9043140	\$35

\*One set at reduced charge with product purchase.

### Surface Accessories

DESCRIPTION	NUMBER	COST
Filler Trim (2-pc)	810919	\$495
2-Burner Wok Grate*	9042311	\$295
<b>Griddle/Teppanyaki Models</b>		
279 mm Cutting Board	9022536	\$350
559 mm Cutting Board	9022537	\$385
Griddle/Teppanyaki Cleaning Kit	812278	\$585
Cleaning Solution (4) 946 ml	812279	\$350
Cleaning Pads (6) 10-packs	9021489	\$375

\*Grate covers two burner positions allowing one burner to accommodate a rounded wok.

### Oven Accessories

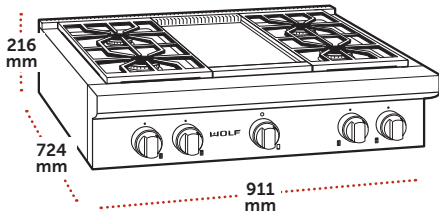
DESCRIPTION	NUMBER	COST
Full-Ext Ball-Bearing Rack	9030652	\$525
Standard Oven Rack	823256	\$265
762 mm Baking Sheet	823269	\$235
Temperature Probe	823261	\$235
Grill Pan	819377	\$205
Multifunction Pan/Rack	9029357	\$695
Dehydration Kit	9034725	\$550
Bake Stone Kit	9016697	\$695

### Leg Extension Covers, Caster Covers and Kickplate

DESCRIPTION	NUMBER	COST
<b>Front Leg Extension Covers</b>		
64 mm Covers	9022347	\$210
89 mm Covers	9022607	\$205
102 mm Covers	9022608	\$205
114 mm Covers	9022609	\$205
<b>Rear Caster Covers</b>		
64 mm Covers	9022587	\$320
76 mm Covers	9022588	\$320
89 mm Covers	9022589	\$320
102 mm Covers	9022590	\$320
114 mm Covers	9022591	\$320
<b>Kickplates</b>		
64 mm Stainless Steel	9022117	\$145
76 mm Stainless Steel	9018546	\$145
89 mm Stainless Steel	9022118	\$145
102 mm Stainless Steel	9022119	\$145
114 mm Stainless Steel	9022120	\$145

Use 64 mm for countertop heights ranging from 902 to 914 mm.  
 Use 76 mm for countertop heights ranging from 908 to 927 mm.  
 Use 89 mm for countertop heights ranging from 921 to 940 mm.  
 Use 102 mm for countertop heights ranging from 934 to 953 mm.  
 Use 114 mm for countertop heights ranging from 946 to 965 mm.

# Sealed Burner Rangetops



## 91 cm Sealed Burner Rangetops

### 91cm Sealed Burner Rangetop - 4 Burners and Infrared Teppanyaki

MODEL	COST
ICBSRT364G	\$15,299
ICBSRT364G-LP	\$15,299

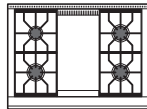
Red knobs and stainless steel bezels included with the rangetop. Black or stainless steel knobs available at reduced charge.

#### SPECIFICATIONS

Overall Dimensions	911 mm W x 216 mm H x 724 mm D
Surface Burners	(3) 4.6 kW (1) 2.8 kW
Infrared Griddle/ Teppanyaki	5.5 kW
Shipping Weight	100 kg

#### FEATURES

- Stainless steel
- Dual-stacked, sealed burners
- Infrared griddle/teppanyaki
- Stainless steel island trim
- Stainless steel bezels



### 91cm Sealed Burner Rangetop - 2 Burners and Wok Burner

MODEL	COST
ICBSRT362W	\$17,299
ICBSRT362W-LP	\$17,299

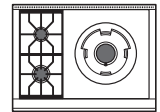
Red knobs and stainless steel bezels included with the rangetop. Black or stainless steel knobs available at reduced charge.

#### SPECIFICATIONS

Overall Dimensions	911 mm W x 254 mm H x 724 mm D
Surface Burners	(1) 4.6 kW (1) 2.8 kW
Wok Burner	10.3 kW
Shipping Weight	93 kg

#### FEATURES

- Stainless steel
- Dual-stacked, sealed burners
- 10.3 kW wok burner
- Stainless steel island trim
- Stainless steel bezels



# Sealed Burner Rangetops

---

## 91 cm Sealed Burner Rangetop Accessories

### Stainless Steel Risers

DESCRIPTION	NUMBER	COST
<b>Stainless Steel Risers*</b>		
127 mm Riser	808523	\$810
254 mm Riser	808524	\$955
508 mm Riser with Shelf	808525	\$1905

*\*Minimum 254 mm riser required against combustible surfaces.*

### Knobs and Bezels

DESCRIPTION	NUMBER	COST
<b>Knobs</b>		
Stainless Steel Knobs	827316	\$550
Stainless Steel Knobs*	827312	\$35
Red Knobs	827317	\$550
Black Knobs	827315	\$550
Black Knobs*	827311	\$35
<b>Bezels</b>		
Stainless Steel Bezels	818809	\$210
Brass Bezels	804378	\$210
Chrome Bezels	804384	\$210

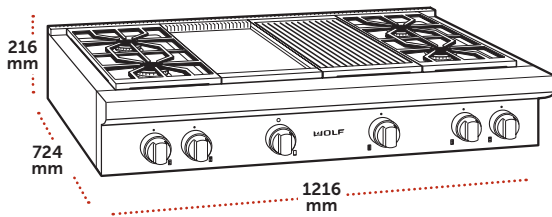
*\*One set at reduced charge with product purchase.*

### Surface Accessories

DESCRIPTION	NUMBER	COST
Filler Trim (2-pc)	810919	\$495
2-Burner Wok Grate*	826419	\$290
<b>Griddle/Teppanyaki Model</b>		
279 mm Cutting Board	809710	\$375
Griddle/Teppanyaki Cleaning Kit	812278	\$585
Cleaning Solution (4) 946 ml	812279	\$350
Cleaning Pads (6) 10-packs	9021489	\$375

*\*Grate covers two burner positions allowing one burner to accommodate a rounded wok.*

# Sealed Burner Rangetops



## 122 cm Sealed Burner Rangetops

### 122cm Sealed Burner Rangetop - 4 Burners with Infrared Chargrill and Teppanyaki

MODEL	COST
ICBSRT484CG	\$18,495
ICBSRT484CG-LP	\$18,495

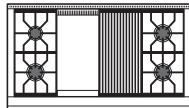
Red knobs and stainless steel bezels included with the rangetop. Black or stainless steel knobs available at reduced charge.

#### SPECIFICATIONS

Overall Dimensions	1216 mm W x 216 mm H x 724 mm D
Surface Burners	(3) 4.6 kW (1) 2.8 kW
Infrared Griddle/Teppanyaki	5.5 kW
Infrared Chargrill	5.8 kW
Shipping Weight	127 kg

#### FEATURES

- Stainless steel
- Dual-stacked, sealed burners
- Infrared griddle/teppanyaki and chargrill
- Stainless steel island trim
- Stainless steel bezels



### 122cm Sealed Burner Rangetop - 6 Burners and Infrared Teppanyaki

MODEL	COST
ICBSRT486G	\$16,495
ICBSRT486G-LP	\$16,495

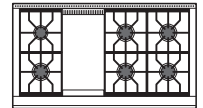
Red knobs and stainless steel bezels included with the rangetop. Black or stainless steel knobs available at reduced charge.

#### SPECIFICATIONS

Overall Dimensions	1216 mm W x 216 mm H x 724 mm D
Surface Burners	(5) 4.6 kW (1) 2.8 kW
Infrared Griddle/Teppanyaki	5.5 kW
Shipping Weight	118 kg

#### FEATURES

- Stainless steel
- Dual-stacked, sealed burners
- Infrared griddle/teppanyaki
- Stainless steel island trim
- Stainless steel bezels



### 122cm Sealed Burner Rangetop - 4 Burners and Wok Burner

MODEL	COST
ICBSRT484W	\$15,299
ICBSRT484W-LP	\$15,299

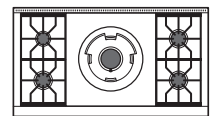
Red knobs and stainless steel bezels included with the rangetop. Black or stainless steel knobs available at reduced charge.

#### SPECIFICATIONS

Overall Dimensions	1216 mm W x 254 mm H x 724 mm D
Surface Burners	(3) 4.6 kW (1) 2.8 kW
Wok Burner	10.3 kW
Shipping Weight	116 kg

#### FEATURES

- Stainless steel
- Dual-stacked, sealed burners
- 10.3 kW wok burner
- Stainless steel island trim
- Stainless steel bezels



# Sealed Burner Rangetops

---

## 122 cm Sealed Burner Rangetop Accessories

### Stainless Steel Risers

DESCRIPTION	NUMBER	COST
<b>Stainless Steel Risers*</b>		
127 mm Riser	808526	\$925
254 mm Riser	808527	\$1,135
508 mm Riser with Shelf	808528	\$2,310

*\*Minimum 254 mm riser required against combustible surfaces for charrill and griddle/teppanyaki.*

### Knobs and Bezels

DESCRIPTION	NUMBER	COST
<b>Knobs</b>		
Stainless Steel Knobs	827316	\$550
Stainless Steel Knobs*	827312	\$35
Red Knobs	827317	\$550
Black Knobs	827315	\$550
Black Knobs*	827311	\$35
<b>Bezels</b>		
Stainless Steel Bezels	818810	\$235
Brass Bezels	804379	\$235
Chrome Bezels	804385	\$235

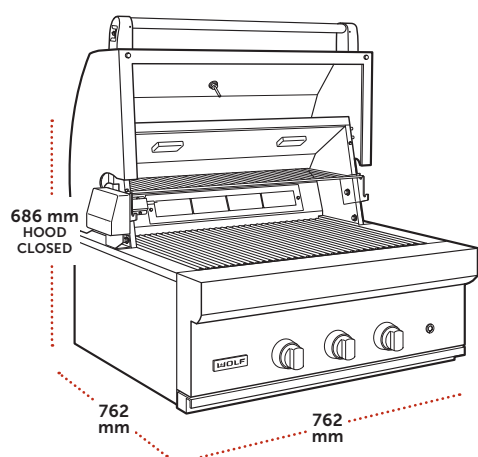
*\*One set at reduced charge with product purchase.*

### Surface Accessories

DESCRIPTION	NUMBER	COST
Filler Trim (2-pc)	810919	\$495
2-Burner Wok Grate*	826419	\$290
<b>Griddle/Teppanyaki Models</b>		
279 mm Cutting Board	809710	\$375
Griddle/Teppanyaki Cleaning Kit	812278	\$585
Cleaning Solution (4) 946 ml	812279	\$350
Cleaning Pads (6) 10-packs	9021489	\$375

*\*Grate covers two burner positions allowing one burner to accommodate a rounded wok.*

## Outdoor Gas Grills



### 76cm Outdoor Gas Grill

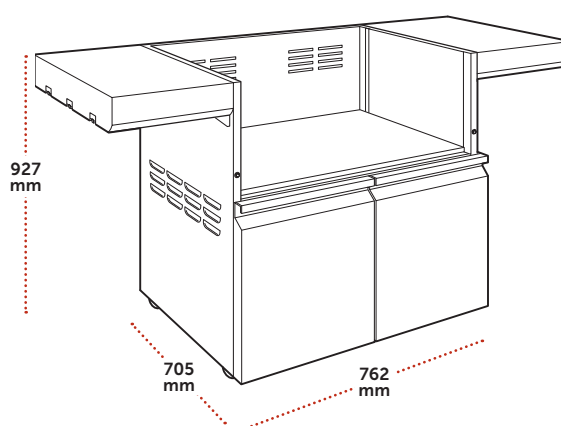
MODEL	COST
ICBOG30	\$14,299
ICBOG30-LP	\$14,299

#### SPECIFICATIONS

Overall Dimensions	762 mm W x 686 mm H x 762 mm D
Grill Burners	(2) 7.3 kW
Rotisserie Burner	4.1 kW
Shipping Weight	98 kg

#### FEATURES

- Weather-resistant stainless steel
- Built-in or portable (with CART30)
- Individually-contained grill burners
- Infrared rotisserie
- Hot-surface ignition system



### 76cm Grill Cart

MODEL	COST
CART30	\$4,260

#### SPECIFICATIONS

Overall Dimensions	762 mm W x 927 mm H x 705 mm D
Configuration	2 Doors
Shipping Weight	73 kg

#### FEATURES

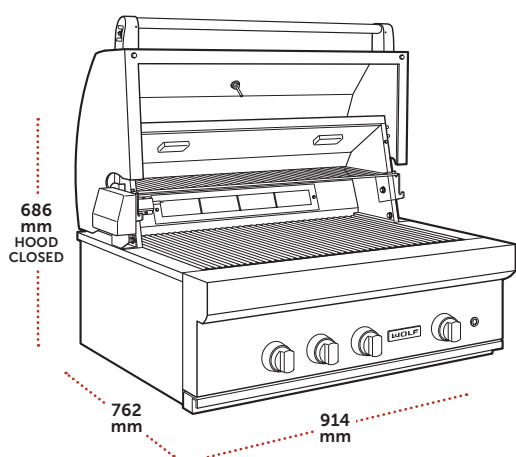
- Weather-resistant stainless steel
- Portable with outdoor grill ICBOG30
- Fold-down side shelves
- Interior pull-out tray
- Side burner for cart available

## Accessories

DESCRIPTION	NUMBER	COST
<b>Canvas Cover</b>		
Built-In Application	814730	\$525
Cart Application	814731	\$1,010
LP Tank	828008	\$265
Built-In Liner	814105	\$3,545
Black Knobs	827352	\$265
Griddle/Teppanyaki Plate	825199	\$1,675
Rotisserie Motor Kit*	827619	N/C
Conversion Kit RH Rotisserie	819434	\$180

\*One kit at no charge with product purchase.

# Outdoor Gas Grills



## 91cm Outdoor Gas Grill

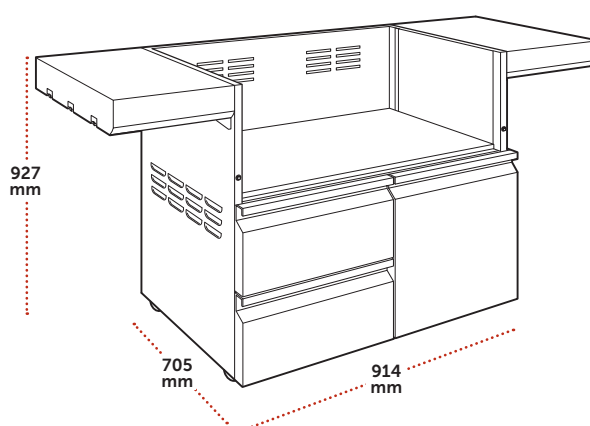
MODEL	COST
ICBOG36	\$17,495
ICBOG36-LP	\$17,495

### SPECIFICATIONS

Overall Dimensions	914 mm W x 686 mm H x 762 mm D
Grill Burners	(2) 7.3 kW
Sear Zone	7.3 kW
Rotisserie Burner	4.1 kW
Shipping Weight	112 kg

### FEATURES

- Weather-resistant stainless steel
- Built-in or portable (with CART36)
- Individually-contained grill burners with infrared sear zone
- Infrared rotisserie
- Hot-surface ignition system



## 91cm Grill Cart

MODEL	COST
CART36	\$5,695

### SPECIFICATIONS

Overall Dimensions	914 mm W x 927 mm H x 705 mm D
Configuration	Door and 2 Drawers
Shipping Weight	84 kg

### FEATURES

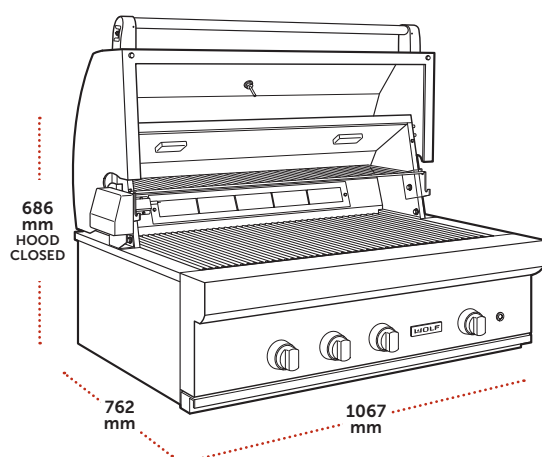
- Weather-resistant stainless steel
- Portable with outdoor grill ICBOG36
- Fold-down side shelves
- Interior pull-out tray
- Side burner for cart available

## Accessories

DESCRIPTION	NUMBER	COST
<b>Canvas Cover</b>		
Built-In Application	814732	\$525
Cart Application	814733	\$1,010
LP Tank	828008	\$265
Built-In Liner	814106	\$3,630
Black Knobs	827354	\$320
Griddle/Teppanyaki Plate	825199	\$1,675
Rotisserie Motor Kit*	827619	N/C
Conversion Kit RH Rotisserie	819434	\$180

\*One kit at no charge with product purchase.

## Outdoor Gas Grills



### 107cm Outdoor Gas Grill

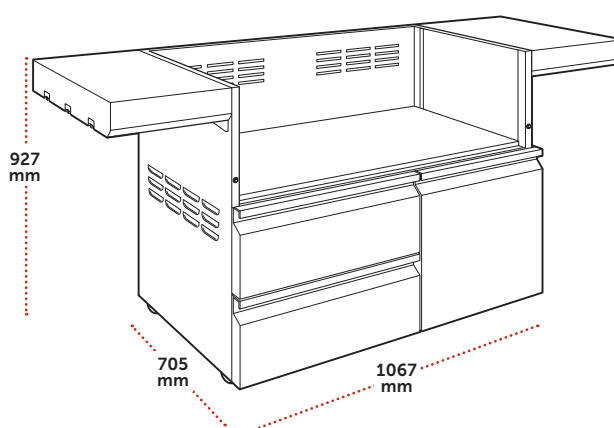
MODEL	COST
ICBOG42	\$19,499
ICBOG42-LP	\$19,499

#### SPECIFICATIONS

Overall Dimensions	1067 mm W x 686 mm H x 762 mm D
Grill Burners	(3) 7.3 kW
Sear Zone	7.3 kW
Rotisserie Burner	4.7 kW
Shipping Weight	122 kg

#### FEATURES

- Weather-resistant stainless steel
- Built-in or portable (with CART42)
- Individually-contained grill burners with infrared sear zone
- Infrared rotisserie
- Hot-surface ignition system



### 107cm Grill Cart

MODEL	COST
CART42	\$6,415

#### SPECIFICATIONS

Overall Dimensions	1067 mm W x 927 mm H x 705 mm D
Configuration	Door and 2 Drawers
Shipping Weight	88 kg

#### FEATURES

- Weather-resistant stainless steel
- Portable with outdoor grill ICBOG42
- Fold-down side shelves
- Interior pull-out tray
- Side burner for cart available

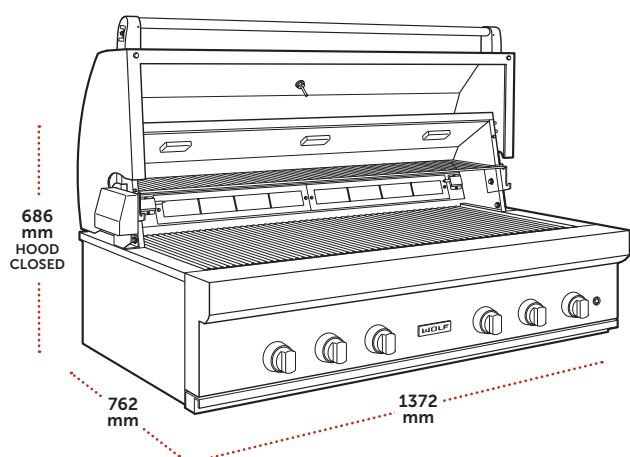
## Accessories

DESCRIPTION	NUMBER	COST
<b>Canvas Cover</b>		
Built-In Application	814734	\$530
Cart Application	814735	\$1,010
LP Tank	828008	\$265
Built-In Liner	814107	\$3,920
Black Knobs	827354	\$320
Griddle/Teppanyaki Plate	825199	\$1,675
Rotisserie Motor Kit*	827619	N/C
Conversion Kit RH Rotisserie	819434	\$180

\*One kit at no charge with product purchase.



## Outdoor Gas Grills



### 137cm Outdoor Gas Grill

MODEL	COST
ICBOG54	\$23,999
ICBOG54-LP	\$23,999

#### SPECIFICATIONS

Overall Dimensions	1372 mm x 686 mm x 762 mm
Grill Burners	(4) 7.5 kW
Sear Zone	7.5 kW
Rotisserie Burner	(2) 4.1 kW
Shipping Weight	159 kg

#### FEATURES

- Weather-resistant stainless steel
- Built-in application
- Individually-contained grill burners with infrared sear zone
- Infrared rotisserie
- Hot-surface ignition system

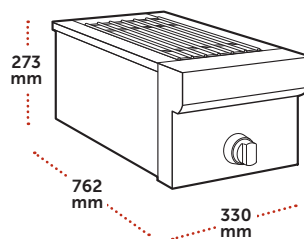
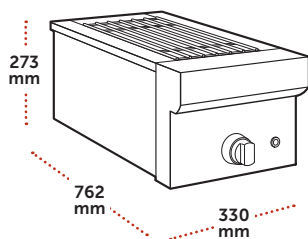
### Accessories

DESCRIPTION	NUMBER	COST
Canvas Cover	818844	\$755
LP Tank Canvas Cover	828008	\$265
Built-In Liner	817048	\$5,160
Black Knobs*	827352	\$265
Griddle/Teppanyaki Plate	825199	\$1,675
Rotisserie Motor Kit**	827619	N/C
Conversion Kit RH Rotisserie	819434	\$180

\*Must order quantity two.

\*\*One kit at no charge with product purchase.

# Outdoor Modules



## 33cm Built-In Burner Module

MODEL	COST
ICBBM13	\$4,725
ICBBM13-LP	\$4,725

### SPECIFICATIONS

Overall Dimensions	330 mm W x 273 mm H x 762 mm D
Gas Burner	7.2 kW
Shipping Weight	23 kg

### FEATURES

- Weather-resistant stainless steel
- Built-in application
- Stainless steel cover included

## 33cm Side Burner for Cart

MODEL	COST
ICBSB13	\$4,699
ICBSB13-LP	\$4,699

### SPECIFICATIONS

Overall Dimensions	330 mm W x 273 mm H x 762 mm D
Gas Burner	7.2 kW
Shipping Weight	23 kg

### FEATURES

- Weather-resistant stainless steel
- Portable application on grill cart
- Stainless steel cover included

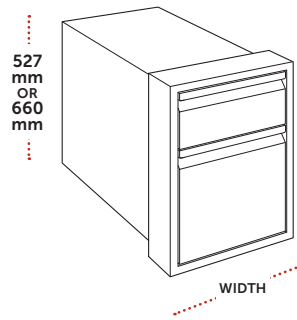
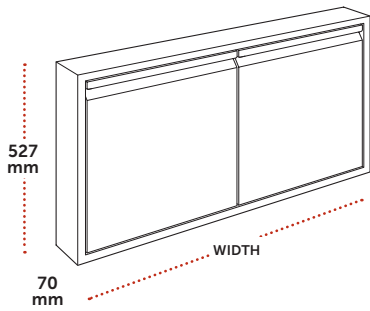
## Accessories

DESCRIPTION	NUMBER	COST
Black Knob	827394	\$180

## Accessories

DESCRIPTION	NUMBER	COST
Black Knob	827394	\$180

# Outdoor Accessories



## Accessory Doors

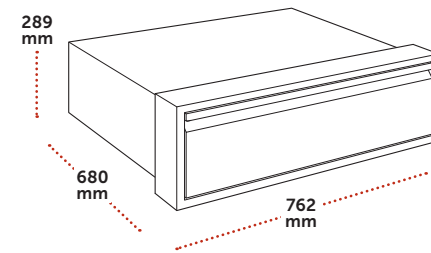
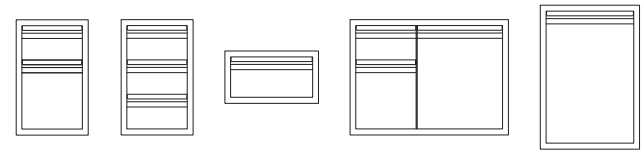
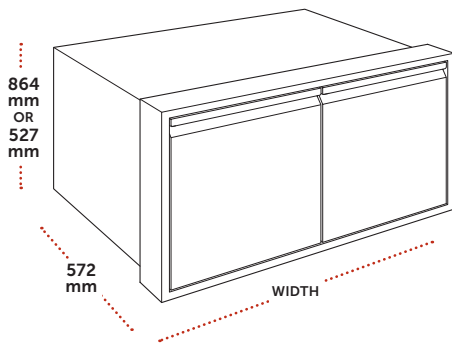
### Stainless Steel Doors – Built-In Application

DESCRIPTION	NUMBER	COST
<b>Single Door</b>		
46 cm Door LH	827598	\$1,505
46 cm Door RH	827599	\$1,505
<b>Double Doors</b>		
76 cm Doors	827600	\$2,310
91 cm Doors	827601	\$2,520
107 cm Doors	827602	\$2,795
137 cm Doors	827603	\$3,345

## Accessory Drawers

### Stainless Steel Drawer Units – Built-In Application

DESCRIPTION	NUMBER	COST
<b>Drawer Units</b>		
33 cm 2-Drawer	827605	\$3,190
33 cm 3-Drawer	827606	\$3,865
46 cm Paper Towel Drawer	827368	\$2,080
76 cm Door and 2-Drawer	827607	\$4,470
<b>Trash/Recycling Drawers</b>		
46 cm Single Drawer	827369	\$2,365
46 cm Double Drawers	827370	\$2,530



## Accessory Cabinets

### Stainless Steel Cabinets – Built-In Application

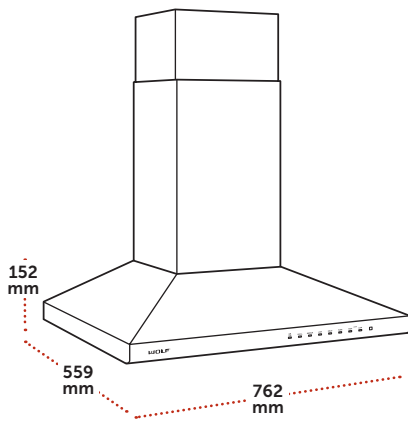
DESCRIPTION	NUMBER	COST
<b>Dry Storage Cabinets</b>		
61 cm Dry Storage LH	827372	\$5,580
61 cm Dry Storage RH	828414	\$5,580
91 cm Dry Storage	827371	\$5,990

Note: Illustration above shown in 91 cm width.

### Stainless Steel Drawer – Built-In Application

DESCRIPTION	NUMBER	COST
<b>Single Drawer</b>		
76 cm Drawer	827604	\$3,190

# Cooktop Ventilation



## 76cm Cooktop Wall Hood - Stainless Steel

MODEL	COST
ICBVW30S*	\$4,599

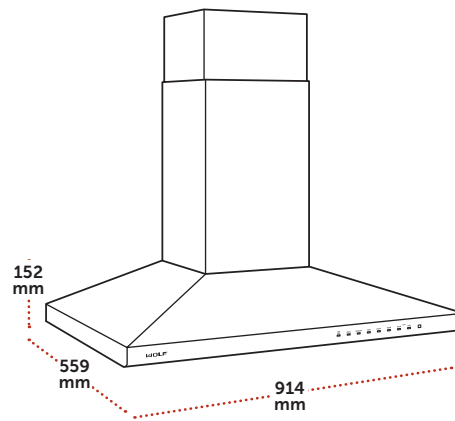
\*Blower required.

### SPECIFICATIONS

Overall Dimensions	762 mm W x 152 mm H x 559 mm D
Telescoping Height	892 mm to 1149 mm
With Flue Extension	1248 mm to 1505 mm
Discharge	Transition to 152 mm round included
Shipping Weight	39 kg

### FEATURES

- Stainless steel
- Telescopic flue
- Internal and remote blower options



## 91cm Cooktop Wall Hood - Stainless Steel

MODEL	COST
ICBVW36S*	\$4,699

\*Blower required.

### SPECIFICATIONS

Overall Dimensions	914 mm W x 152 mm H x 559 mm D
Telescoping Height	892 mm to 1149 mm
With Flue Extension	1248 mm to 1505 mm
Discharge	Transition to 152 mm round included
Shipping Weight	45 kg

### FEATURES

- Stainless steel
- Telescopic flue
- Internal and remote blower options

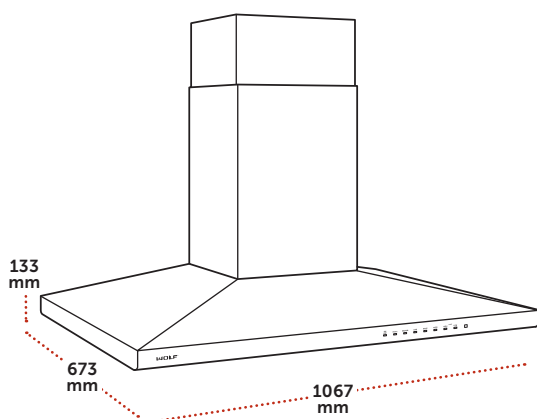
## Accessories

DESCRIPTION	NUMBER	COST
<b>Internal Blower</b>		
900 CMH	824380	\$1,845
<b>Remote Blower</b>		
1528 CMH	812307	\$2,485
2028 CMH	812308	\$2,825
2535 CMH	812309	\$3,920
<b>Accessories</b>		
Recirculating Kit	823532	\$750
Recirculating Filter	823533	\$380
Flue Extension	823530	\$1,360
762 x 762 mm Wall Shield	801633	\$410
Make-Up Air Damper	820071	\$1,095
Remote Control	823534	\$235

## Accessories

DESCRIPTION	NUMBER	COST
<b>Internal Blower</b>		
900 CMH	824380	\$1,845
<b>Remote Blower</b>		
1528 CMH	812307	\$2,485
2028 CMH	812308	\$2,825
2535 CMH	812309	\$3,920
<b>Accessories</b>		
Recirculating Kit	823532	\$750
Recirculating Filter	823533	\$380
Flue Extension	823530	\$1,360
Make-Up Air Damper	820071	\$1,095
Remote Control	823534	\$235

# Cooktop Ventilation



## 107cm Cooktop Island Hood - Stainless Steel

MODEL	COST
ICBVI42S*	\$7,899

\*Blower required.

### SPECIFICATIONS

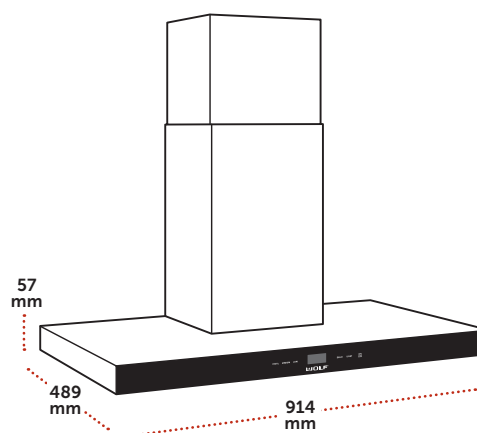
Overall Dimensions	1067 mm W x 133 mm H x 673 mm D
Telescoping Height	724 mm to 946 mm
With Flue Extension	1175 mm to 1397 mm
Discharge	Transition to 152 mm round included
Shipping Weight	50 kg

### FEATURES

- Stainless steel
- Telescopic flue
- Internal and remote blower options

## Accessories

DESCRIPTION	NUMBER	COST
<b>Internal Blower</b>		
900 CMH	824380	\$1,845
<b>Remote Blower</b>		
1528 CMH	812307	\$2,485
2028 CMH	812308	\$2,825
2535 CMH	812309	\$3,920
<b>Accessories</b>		
Recirculating Kit	823540	\$1,210
Recirculating Filter	823533	\$380
Flue Extension	823531	\$3,080
Make-Up Air Damper	820071	\$1,095
Remote Control	823534	\$235



## 91cm Cooktop Wall Hood - Black

MODEL	COST
ICBVW36B*	\$4,999

\*Blower required.

### SPECIFICATIONS

Overall Dimensions	914 mm W x 57 mm H x 489 mm D
Telescoping Height	797 mm to 1054 mm
With Flue Extension	1248 mm to 1505 mm
Discharge	Transition to 152 mm round included
Weight (with blower)	26 kg

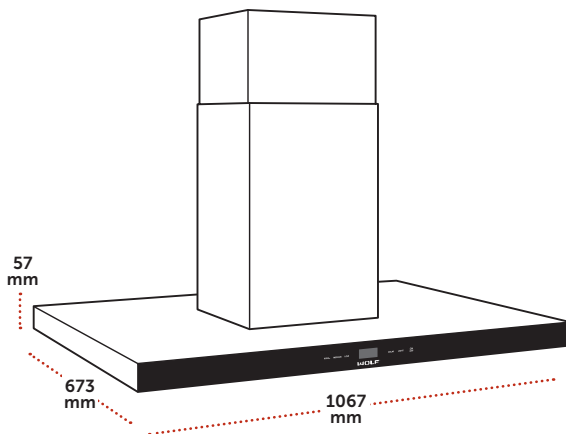
### FEATURES

- Stainless steel
- Telescopic flue
- Internal and remote blower options

## Accessories

DESCRIPTION	NUMBER	COST
<b>Internal Blower</b>		
900 CMH	824380	\$1,845
<b>Remote Blower</b>		
1528 CMH	812307	\$2,485
<b>Accessories</b>		
Recirculating Kit	823532	\$750
Recirculating Filter	823533	\$380
Flue Extension	823530	\$1,360
Make-Up Air Damper	820071	\$1,095
Remote Control	823534	\$235

# Cooktop Ventilation



## 107cm Cooktop Island Hood - Black

MODEL	COST
ICBVI42B*	\$7,999

\*Blower required.

### SPECIFICATIONS

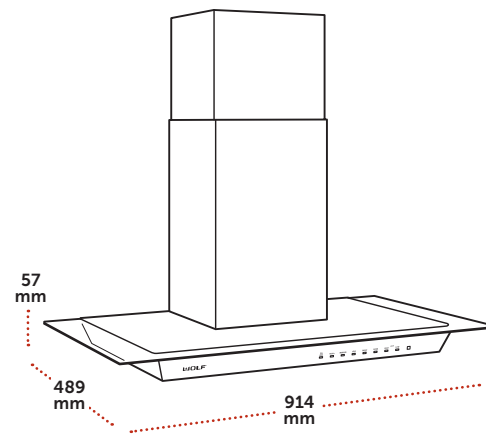
Overall Dimensions	1067 mm W x 57 mm H x 673 mm D
Telescoping Height With Flue Extension	648 mm to 870 mm 1175 mm to 1397 mm
Discharge	Transition to 152 mm round included
Weight (with blower)	42 kg

### FEATURES

- Stainless steel
- Telescopic flue
- Internal and remote blower options

## Accessories

DESCRIPTION	NUMBER	COST
<b>Internal Blower</b>		
900 CMH	824380	\$1,845
<b>Remote Blower</b>		
1528 CMH	812307	\$2,485
<b>Accessories</b>		
Recirculating Kit	823540	\$1,210
Recirculating Filter	823533	\$380
Flue Extension	823531	\$3,080
Make-Up Air Damper	820071	\$1,095
Remote Control	823534	\$235



## 91cm Cooktop Wall Hood - Glass

MODEL	COST
ICBVW36G*	\$4,899

\*Blower required.

### SPECIFICATIONS

Overall Dimensions	914 mm W x 57 mm H x 489 mm D
Telescoping Height With Flue Extension	797 mm to 1054 mm 1248 mm to 1505 mm
Discharge	Transition to 152 mm round included
Weight (with blower)	26 kg

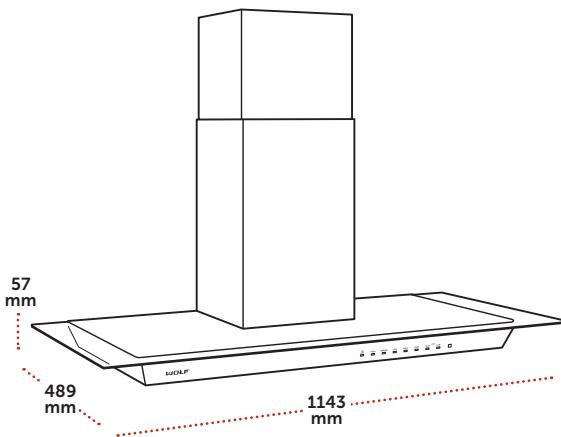
### FEATURES

- Stainless steel
- Telescopic flue
- Internal and remote blower options

## Accessories

DESCRIPTION	NUMBER	COST
<b>Internal Blower</b>		
900 CMH	824380	\$1,845
<b>Remote Blower</b>		
1528 CMH	812307	\$2,485
<b>Accessories</b>		
Recirculating Kit	823532	\$750
Recirculating Filter	823533	\$380
Flue Extension	823530	\$1,360
Make-Up Air Damper	820071	\$1,095
Remote Control	823534	\$235

# Cooktop Ventilation



## 114cm Cooktop Wall Hood - Glass

MODEL	COST
ICBVW45G*	\$5,499

\*Blower required.

### SPECIFICATIONS

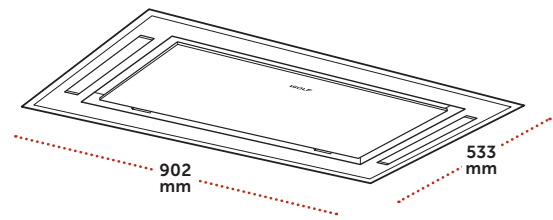
Overall Dimensions	1143 mm W x 57 mm H x 489 mm D
Telescoping Height	797 mm to 1054 mm
With Flue Extension	1248 mm to 1505 mm
Discharge	Transition to 152 mm round included
Weight (with blower)	28 kg

### FEATURES

- Stainless steel
- Telescopic flue
- Internal and remote blower options

## Accessories

DESCRIPTION	NUMBER	COST
<b>Internal Blower</b>		
900 CMH	824380	\$1,845
<b>Remote Blower</b>		
1528 CMH	812307	\$2,485
<b>Accessories</b>		
Recirculating Kit	823532	\$750
Recirculating Filter	823533	\$380
Flue Extension	823530	\$1,360
Make-Up Air Damper	820071	\$1,095
Remote Control	823534	\$235



## 91cm Ceiling-Mounted Hood

MODEL	COST
ICBVC36S*	\$5,799

\*Blower required.

### SPECIFICATIONS

Overall Dimensions	902 mm W x 311 mm H x 533 mm D
Discharge	Transition to 152 mm round included
Weight (with blower)	28 kg

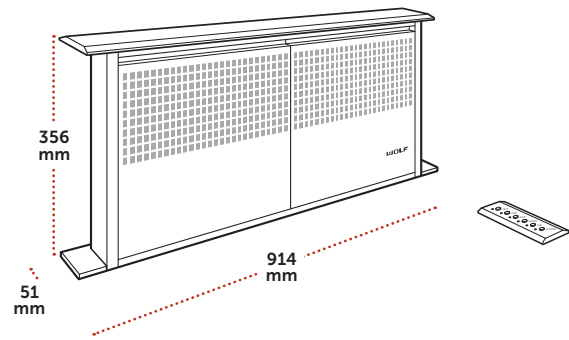
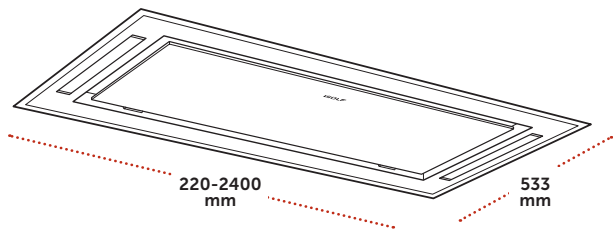
### FEATURES

- Stainless steel
- Internal and remote blower options
- Remote control included

## Accessories

DESCRIPTION	NUMBER	COST
<b>Internal Blower</b>		
900 CMH	824380	\$1,845
<b>Accessories</b>		
Recirculating Filters	828075	\$380
Make-Up Air Damper	820071	\$1,095
Remote Control	823534	\$235

# Cooktop Ventilation



## 122cm Ceiling-Mounted Hood

MODEL	COST
ICBVC48S*	\$6,495

\*Blower required.

### SPECIFICATIONS

Overall Dimensions	220-2400 mm W x 311 mm H x 533 mm D
Discharge	Transition to 152 mm round included
Weight (with blower)	29 kg

### FEATURES

- Stainless steel
- Internal and remote blower options
- Remote control included

## 91cm Downdraft Ventilation

MODEL	COST
ICBDD36*	\$5,999

\*Blower required.

### SPECIFICATIONS

Overall Dimensions	914 mm W x 356 mm H x 51 mm D
Discharge (Internal)	152 mm Round
Discharge (Remote)	254 mm Round
Shipping Weight	36 kg

### FEATURES

- Stainless steel
- Internal or remote blower options
- Wired, remote control module

## Accessories

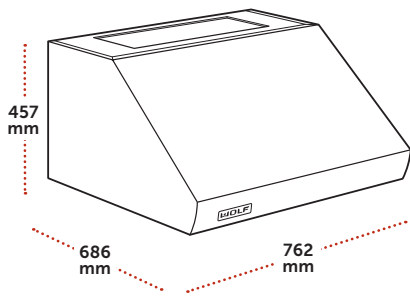
DESCRIPTION	NUMBER	COST
<b>Internal Blower</b>		
900 CMH	824380	\$1,845
<b>Accessories</b>		
Recirculating Filters	828075	\$380
Make-Up Air Damper	820071	\$1,095
Remote Control	823534	\$235

## Accessories

DESCRIPTION	NUMBER	COST
<b>Internal Blower</b>		
900 CMH	823504	\$1,845
<b>Remote Blower</b>		
1528 CMH	812307	\$2,485
2028 CMH	812308	\$2,825
<b>Combination Installation</b>		
Contemporary Cooktop Trim	828290	\$720
<b>Downdraft System</b>		
Recirculating Kit	826101	\$2,510
Recirculating Filter	826102	\$375
Make-Up Air Damper	820071	\$1,095
203 mm Inline Damper	821147	\$320
254 mm Inline Damper	821148	\$350



# Pro Ventilation



## 76 cm Pro Wall Hood

### 76cm Pro Wall Hood - 69cm Depth

MODEL	COST
ICBPW302718*	\$5,999

\*Blower required.

#### SPECIFICATIONS

Overall Dimensions	762 mm W x 457 mm H x 686 mm D
Discharge	Transition to 254 mm round included
Shipping Weight	31 kg

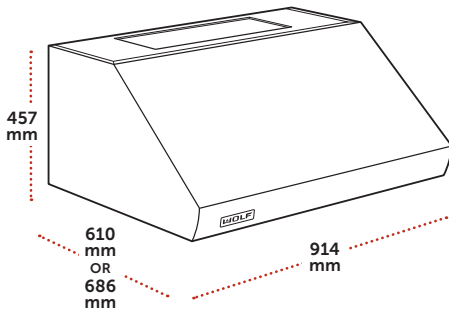
#### FEATURES

- Heavy-duty stainless steel
- Heat lamps (bulbs not included)
- Vertical discharge
- Internal or remote blower options
- Recirculating kit for non-ducted applications

## Accessories

DESCRIPTION	NUMBER	COST
<b>Internal Blower</b>		
1528 CMH	813161	\$2,520
<b>Remote Blower</b>		
1528 CMH	812307	\$2,485
2028 CMH	812308	\$2,825
2535 CMH	812309	\$3,920
<b>Recirculation</b>		
Recirculating Kit	811838	\$2,530
Recirculating Filter	812336	\$385
Horizontal Discharge Kit	822165	\$235
<b>Backsplash</b>		
762 x 965 mm Backsplash	810425	\$1,130
Backsplash with Racks	810432	\$2,285
<b>Duct Cover</b>		
152 mm Duct Cover	810710	\$1,560
305 mm Duct Cover	810717	\$1,705
457 mm Duct Cover	810724	\$1,905
610 mm Duct Cover	810731	\$2,145
762 mm Duct Cover	813969	\$2,345
914 mm Duct Cover	827871	\$2,565

# Pro Ventilation



## 91 cm Pro Wall Hood

### 91cm Pro Wall Hood - 61cm Depth

MODEL	COST
ICBPW362418*	\$6,495

\*Blower required.

#### SPECIFICATIONS

Overall Dimensions	914 mm W x 457 mm H x 610 mm D
Discharge	Transition to 254 mm round included
Shipping Weight	35 kg

#### FEATURES

- Heavy-duty stainless steel
- Vertical discharge
- Horizontal discharge kit available
- Internal or remote blower options
- Recirculating kit for non-ducted applications

### 91cm Pro Wall Hood - 69cm Depth

MODEL	COST
ICBPW362718*	\$7,099

\*Blower required.

#### SPECIFICATIONS

Overall Dimensions	914 mm W x 457 mm H x 686 mm D
Discharge	Transition to 254 mm round included
Shipping Weight	36 kg

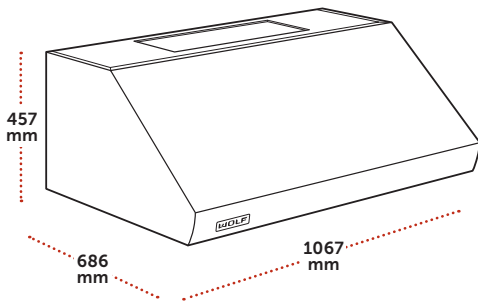
#### FEATURES

- Heavy-duty stainless steel
- Heat lamps (bulbs not included)
- Vertical discharge
- Internal or remote blower options
- Recirculating kit for non-ducted applications

## Accessories

DESCRIPTION	NUMBER	COST
<b>Internal Blower</b>		
1528 CMH	813161	\$2,520
<b>Remote Blower</b>		
1528 CMH	812307	\$2,485
2028 CMH	812308	\$2,825
2535 CMH	812309	\$3,920
<b>Recirculation</b>		
Recirculating Kit	811839	\$2,530
Recirculating Filter	812337	\$375
Horizontal Discharge Kit	822166	\$265
<b>Backsplash</b>		
914 x 965 mm Backsplash	810426	\$1,185
Backsplash with Racks	810433	\$2,455
<b>Duct Cover</b>		
152 mm Duct Cover	810711	\$1,620
305 mm Duct Cover	810718	\$1,790
457 mm Duct Cover	810725	\$1,965
610 mm Duct Cover	810732	\$2,195
762 mm Duct Cover	813970	\$2,420
914 mm Duct Cover	827872	\$2,625

# Pro Ventilation



## 107 cm Pro Wall Hood

### 107cm Pro Wall Hood - 69cm Depth

MODEL	COST
ICBPW422718*	\$8,199

\*Blower required.

#### SPECIFICATIONS

Overall Dimensions	1067 mm W x 457 mm H x 686 mm D
Discharge	Transition to 254 mm round included
Shipping Weight	40 kg

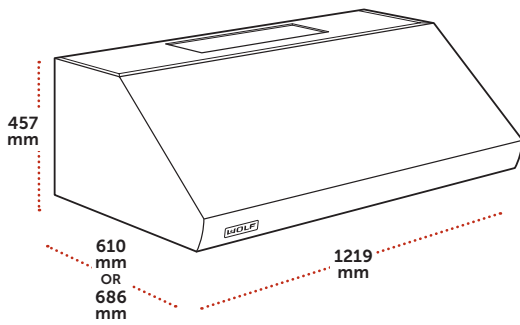
#### FEATURES

- Heavy-duty stainless steel
- Heat lamps (bulbs not included)
- Vertical discharge
- Internal or remote blower options

## Accessories

DESCRIPTION	NUMBER	COST
<b>Internal Blower</b>		
1528 CMH	813161	\$2,520
<b>Remote Blower</b>		
1528 CMH	812307	\$2,485
2028 CMH	812308	\$2,825
2535 CMH	812309	\$3,920
Horizontal Discharge Kit	822167	\$320
<b>Backsplash</b>		
1067 x 965 mm Backsplash	810427	\$1,270
Backsplash with Racks	810434	\$2,800
<b>Duct Cover</b>		
152 mm Duct Cover	810712	\$1,675
305 mm Duct Cover	810719	\$1,850
457 mm Duct Cover	810726	\$2,020
610 mm Duct Cover	810733	\$2,255
762 mm Duct Cover	813971	\$2,480
914 mm Duct Cover	827873	\$2,575

# Pro Ventilation



## 122 cm Pro Wall Hood

### 122cm Pro Wall Hood - 61cm Depth

MODEL	COST
ICBPW482418*	\$8,699

\*Blower required.

#### SPECIFICATIONS

Overall Dimensions	1219 mm W x 457 mm H x 610 mm D
Discharge	Transition to 254 mm round included
Shipping Weight	43 kg

#### FEATURES

- Heavy-duty stainless steel
- Vertical discharge
- Horizontal discharge kit available
- Internal or remote blower options

### 122cm Pro Wall Hood - 69cm Depth

MODEL	COST
ICBPW482718*	\$8,799

\*Blower required.

#### SPECIFICATIONS

Overall Dimensions	1219 mm W x 457 mm H x 686 mm D
Discharge	Transition to 254 mm round included
Shipping Weight	44 kg

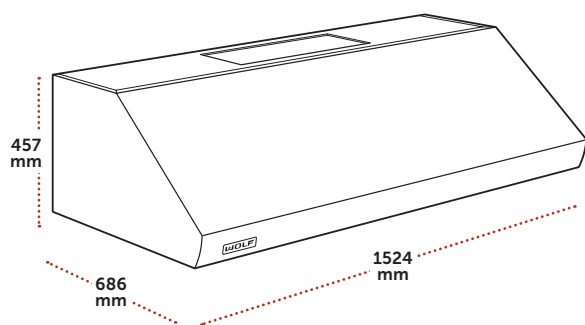
#### FEATURES

- Heavy-duty stainless steel
- Heat lamps (bulbs not included)
- Vertical discharge
- Internal or remote blower options

## Accessories

DESCRIPTION	NUMBER	COST
<b>Internal Blower</b>		
1528 CMH	813161	\$2,520
<b>Remote Blower</b>		
1528 CMH	812307	\$2,485
2028 CMH	812308	\$2,825
2535 CMH	812309	\$3,920
Horizontal Discharge Kit	822168	\$320
<b>Backsplash</b>		
1219 x 965 mm Backsplash	810428	\$1,475
Backsplash with Racks	810435	\$3,060
<b>Duct Cover</b>		
152 mm Duct Cover	810713	\$1,705
305 mm Duct Cover	810720	\$1,905
457 mm Duct Cover	810727	\$2,115
610 mm Duct Cover	810734	\$2,310
762 mm Duct Cover	813972	\$2,530
914 mm Duct Cover	827874	\$2,740

# Pro Ventilation



## 152 cm Pro Wall Hood

### 152cm Pro Wall Hood - 69cm Depth

MODEL	COST
ICBPW602718*	\$9,299

\*Blower required.

#### SPECIFICATIONS

Overall Dimensions	1524 mm W x 457 mm H x 686 mm D
Discharge	Transition to 254 mm round included
Shipping Weight	54 kg

#### FEATURES

- Heavy-duty stainless steel
- Heat lamps (bulbs not included)
- Vertical discharge
- Internal or remote blower options

## Accessories

DESCRIPTION	NUMBER	COST
<b>Internal Blower</b>		
1528 CMH	813161	\$2,520
<b>Remote Blower</b>		
1528 CMH	812307	\$2,485
2028 CMH	812308	\$2,825
2535 CMH	812309	\$3,920
Horizontal Discharge Kit	822170	\$355
<b>Backsplash</b>		
1524 x 965 mm Backsplash	810430	\$1,645
Backsplash with Racks	810437	\$3,515
<b>Duct Cover</b>		
152 mm Duct Cover	810715	\$1,905
305 mm Duct Cover	810722	\$2,105
457 mm Duct Cover	810729	\$2,290
610 mm Duct Cover	810736	\$2,510
762 mm Duct Cover	813974	\$2,740
914 mm Duct Cover	827876	\$2,940

## Warranty Information

---

### Wolf Appliance International Limited Warranty

#### FOR RESIDENTIAL USE

##### FULL TWO YEAR WARRANTY\*

For two years from the date of original installation, this Wolf Appliance product warranty covers all parts and labour to repair or replace, under normal residential use, any part of the product that proves to be defective in materials or workmanship. All service provided by Wolf Appliance under the above warranty must be performed by Wolf Factory Certified Service, unless otherwise specified by Wolf Appliance, Inc. Service will be provided during normal business hours.

##### LIMITED FIVE YEAR WARRANTY

For five years from the date of original installation, Wolf Appliance will repair or replace the following parts that prove to be defective in materials or workmanship: gas burners (excludes appearance), electric heating elements, blower motors (ventilation hoods), electronic control boards, magnetron tubes and induction generators. If the owner uses Wolf Factory Certified Service, the service provider will repair or replace these parts with the owner paying for all other costs, including labour. If the owner uses non-certified service, the owner must contact Wolf Appliance, Inc. (using the information below) to receive repaired or replacement parts. Wolf Appliance will not reimburse the owner for parts purchased from non-certified service or other sources.

##### TERMS APPLICABLE TO EACH WARRANTY

The warranty applies only to products installed for normal residential use. This warranty does not cover any parts or labour to correct any defect caused by negligence, accident or improper use, maintenance, installation, service or repair.

THE REMEDIES DESCRIBED ABOVE FOR EACH WARRANTY ARE THE ONLY ONES THAT WOLF APPLIANCE, INC. WILL PROVIDE, EITHER UNDER THIS WARRANTY OR UNDER ANY WARRANTY ARISING BY OPERATION OF LAW. WOLF APPLIANCE, INC. WILL NOT BE RESPONSIBLE FOR ANY CONSEQUENTIAL OR INCIDENTAL DAMAGES ARISING FROM THE BREACH OF THIS WARRANTY OR ANY OTHER WARRANTY, WHETHER EXPRESS, IMPLIED OR STATUTORY.

For more information regarding your Wolf product warranty, contact your authorized Wolf dealer. Warranties must comply to all country, state, city, local and or ordinance.

\*Stainless steel (doors, panels, handles, product frames and interior surfaces) are covered by a limited 60-day parts and labour warranty for cosmetic defects.

\*Replacement filters for ventilation hood recirculating kits are not covered by the product warranty.



## Warranty Information

---

### Wolf Appliance International Outdoor Limited Warranty\*

#### FOR RESIDENTIAL USE

##### FULL ONE YEAR WARRANTY\*\*

For one year from the date of original installation, this Wolf Appliance product warranty covers all parts and labour to repair or replace, under normal residential use, any part of the product that proves to be defective in materials or workmanship. All service provided by Wolf Appliance under the above warranty must be performed by Wolf Factory Certified Service, unless otherwise specified by Wolf Appliance, Inc. Service will be provided during normal business hours.

##### LIMITED FIVE YEAR WARRANTY

For five years from the date of original installation, Wolf Appliance will repair or replace the following parts that prove to be defective in materials or workmanship: stainless steel briquette trays, gas valves, drip pans, electronic control boards and electric heating elements. If the owner uses Wolf Factory Certified Service, the service provider will repair or replace these parts with the owner paying for all other costs, including labour. If the owner uses non-certified service, the owner must contact Wolf Appliance, Inc. (using the information below) to receive repaired or replacement parts. Wolf Appliance will not reimburse the owner for parts purchased from non-certified service or other sources.

#### TERMS APPLICABLE TO EACH WARRANTY

The warranty applies only to products installed for normal residential use. This warranty does not cover any parts or labour to correct any defect caused by negligence, accident or improper use, maintenance, installation, service or repair.

THE REMEDIES DESCRIBED ABOVE FOR EACH WARRANTY ARE THE ONLY ONES THAT WOLF APPLIANCE, INC. WILL PROVIDE, EITHER UNDER THIS WARRANTY OR UNDER ANY WARRANTY ARISING BY OPERATION OF LAW. WOLF APPLIANCE, INC. WILL NOT BE RESPONSIBLE FOR ANY CONSEQUENTIAL OR INCIDENTAL DAMAGES ARISING FROM THE BREACH OF THIS WARRANTY OR ANY OTHER WARRANTY, WHETHER EXPRESS, IMPLIED OR STATUTORY.

For more information regarding your Wolf product warranty, contact your authorized Wolf dealer. Warranties must comply to all country, state, city, local and or ordinance.

\*Product must be approved for outdoor use, designated by model and serial number.

\*\*Stainless steel (doors, panels, handles, product frames and interior surfaces) are covered by a limited 60-day parts and labour warranty for cosmetic defects.



## Warranty Information

---

### Wolf Appliance International Non-Residential Limited Warranty

#### FOR NON-RESIDENTIAL USE

#### SPECIAL APPLICATION

This warranty is designed specifically to cover products installed in demonstration kitchens, test kitchens, culinary and school kitchens and other similar installations that will help promote the Wolf Appliance brand and its products. Restaurant installations and other similar commercial applications are excluded and do not have applicable warranty.

#### FULL TWO YEAR WARRANTY\*

For two years from the date of original installation, this Wolf Appliance product warranty covers all parts and labour to repair or replace, under normal residential use, any part of the product that proves to be defective in materials or workmanship. All service provided by Wolf Appliance under the above warranty must be performed by Wolf Factory Certified Service, unless otherwise specified by Wolf Appliance, Inc. Service will be provided during normal business hours.

#### TERMS APPLICABLE TO EACH WARRANTY

This warranty does not cover any parts or labour to correct any defect caused by negligence, accident or improper use, maintenance, installation, service or repair.

THE REMEDIES DESCRIBED ABOVE FOR EACH WARRANTY ARE THE ONLY ONES THAT WOLF APPLIANCE, INC. WILL PROVIDE, EITHER UNDER THIS WARRANTY OR UNDER ANY WARRANTY ARISING BY OPERATION OF LAW. WOLF APPLIANCE, INC. WILL NOT BE RESPONSIBLE FOR ANY CONSEQUENTIAL OR INCIDENTAL DAMAGES ARISING FROM THE BREACH OF THIS WARRANTY OR ANY OTHER WARRANTY, WHETHER EXPRESS, IMPLIED OR STATUTORY.

For more information regarding your Wolf product warranty, contact your authorized Wolf dealer. Warranties must comply to all country, state, city, local and or ordinance.

\*Stainless steel (doors, panels, handles, product frames and interior surfaces) are covered by a limited 60-day parts and labour warranty for cosmetic defects.

\*Replacement filters for ventilation hood recirculating kits are not covered by the product warranty.





2022



20

---

22

